



DRIVEN PERFORMANCE PRODUCTS
9362 ETON AVE
UNIT B
CHATSWORTH, CA 91311
WWW.DRIVENRACING.COM 866-5-DRIVEN

(Actual part may vary in appearance)

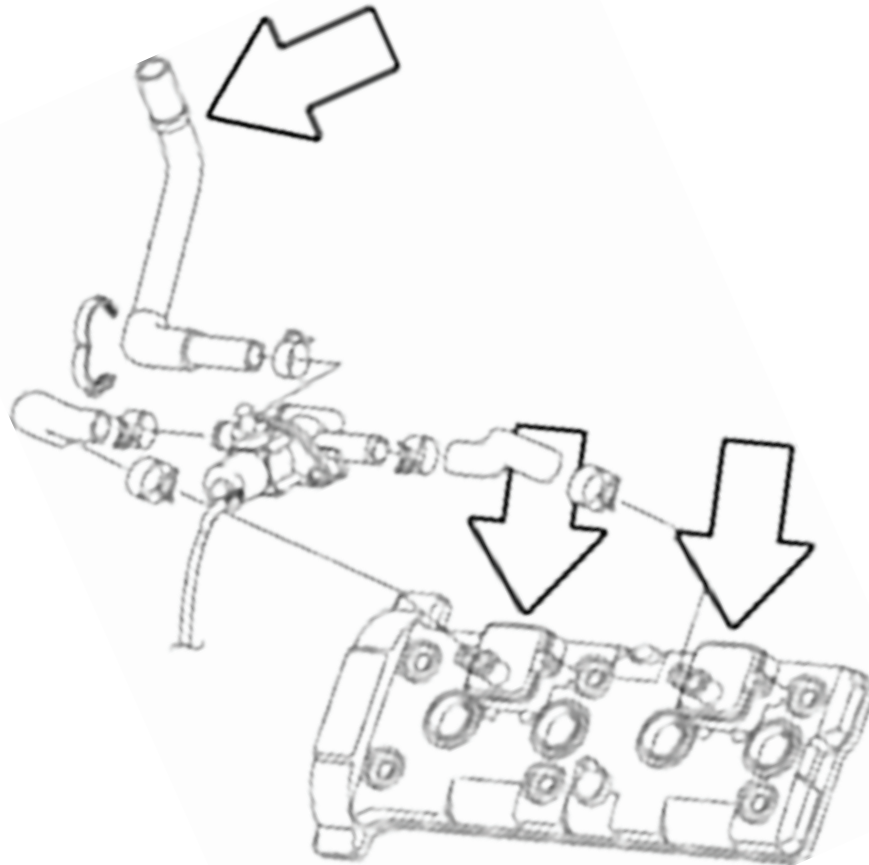


DRIVEN BLOCK OFF PLATES

PART#: DSBLOCK-1, 2, 3, 4, 5, 6, 8, 10, 11

- 1) Make sure ignition key is turned to the off position and engine is cool.
- 2) Place motorcycle on lift, rear stand, or side stand.
- 3) Locate the final destination of the new block off plates.
- 4) Carefully remove any fairings if needed.
- 5) Carefully remove fuel tank and air box.
- 6) Carefully remove any parts obstructing the OEM plates and then remove them.
- 7) Using blue Loctite, install the new block off plates using the OEM hardware, and the OEM sealing O rings if present.
- 8) Locate OEM air hose leading to the airbox from the OEM plates removed.
- 9) Using supplied cap, remove hose and plug airbox.
- 10) Carefully replace airbox, fuel tank, fairings, and any other pieces removed during installation.

* For the 08-10 Honda CBR 1000RR the reed valve screws must be ground down to seal the new plates properly.



DRIVEN REQUIRES THIS PRODUCT TO BE INSTALLED BY A CERTIFIED TECHNICIAN