

# Lucas Style Taillight Assembly

PART NO. 09-570

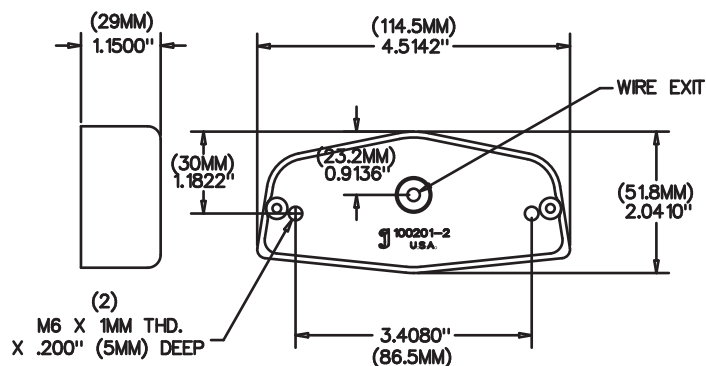
Works on Lucas style taillight brackets and  
Dixie International taillight brackets.

NOTE: If your mounting screw goes too deep into the housing you run the risk of breaking the L.E.D. taillight module. The taillight back plate is has a 6mm x 1mm thread pitch and a 5mm depth.

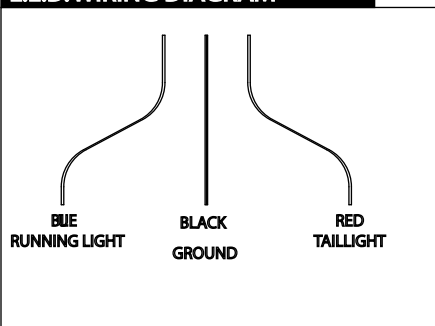


1931 Yeager Ave., La Verne, CA 91750  
www.jokermachine.com, sales@jokermachine.com  
(P) 909-596-9690, (F) 909-596-9693

8/3/2011



## L.E.D. WIRING DIAGRAM



# Lucas Style Taillight Assembly

PART NO. 09-570

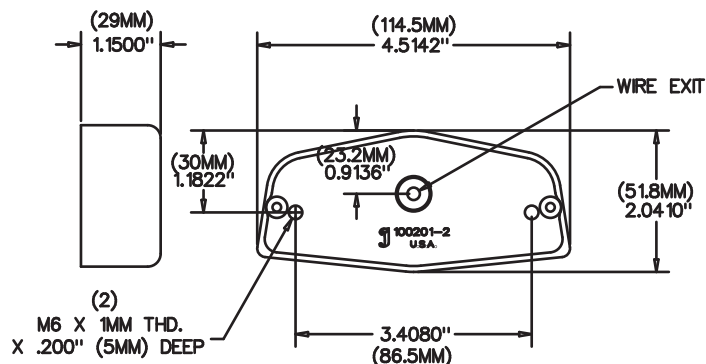
Works on Lucas style taillight brackets and  
Dixie International taillight brackets.

NOTE: If your mounting screw goes too deep into the housing you run the risk of breaking the L.E.D. taillight module. The taillight back plate is has a 6mm x 1mm thread pitch and a 5mm depth.



1931 Yeager Ave., La Verne, CA 91750  
www.jokermachine.com, sales@jokermachine.com  
(P) 909-596-9690, (F) 909-596-9693

8/3/2011



## L.E.D. WIRING DIAGRAM

