



MOUNTING INSTRUCTIONS

2321-0146 MS Batwing Metric Fairing



SUZUKI BOULEVARD C-90/C-90T (2005-2009) TRIGGER LOCK MOUNTING KIT

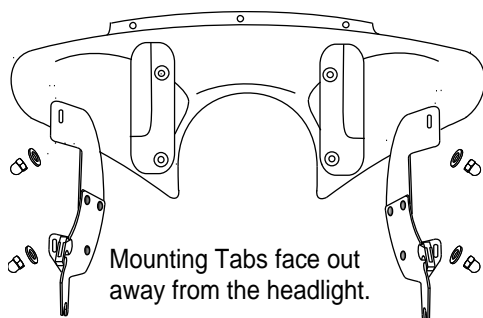
⚠ WARNING

1. During installation, make sure that the fairing / windshield and hardware do not interfere with any cables or wiring when the forks are turned all the way in either direction. Also make sure, through the full range of adjustment, that the fairing / windshield and hardware do not hit the gas tank.
2. This is a detachable fairing / windshield, ALWAYS make sure the locking mechanism is fully engaged after installing the fairing / windshield.
3. The improper installation of this kit and related components could result in serious injury or death.

Additional tools required, that are not included in this kit: Phillips Head Screwdriver, ¼" drive 13mm socket and ratchet.

1. **Cover gas tank and front fender with towels to avoid damage during installation.**
2. Install the two mounting plates onto the fairing, using the nuts and washers provided. The small tab goes to the bottom, big one at the top. (Fig 1) Tabs face out away from the headlight when installed correctly.
3. On the C90 version, remove the headlight lens and set it in a safe place. This will give you access to the upper bolt on the Turn Signal Bar cover. (Fig 2).
4. On the C90T version, remove the windshield and hardware.
5. Remove the socket head cap screws that hold the Turn Signal bar assembly and let it rest on the towel.
6. Locate the two threaded holes in the underside of the upper triple tree (one on each side) and **loosely** install the left and then the right bracket assembly using (shorter) 8mm X 12mm SS Hex head bolts and 8mm SS flat washers. (see Fig. 3). The bolts will be tightened later, after the fairing is installed. It is easier to start and tighten these bolts from the backside of the fork. Turn the handlebars full left to access the right side and full right to access the left side.
7. Install the lower anchor bracket on the front of the lower triple tree. Use the 8mm socket head cap screws. On each put a 7/8" Beveled socket washer in front, and a 1 1/8" Spacer washer behind the bracket. (Fig 3 and 5)

Fig 1



Remove these two phillips screws to remove lens.

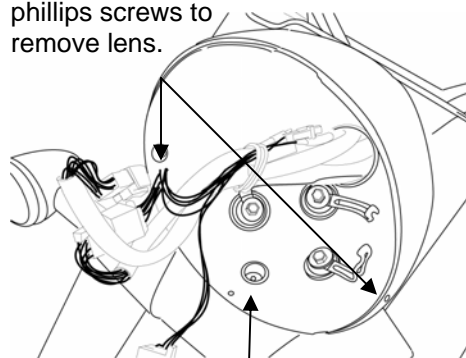


Fig 2

Access hole to Upper turn signal bolt

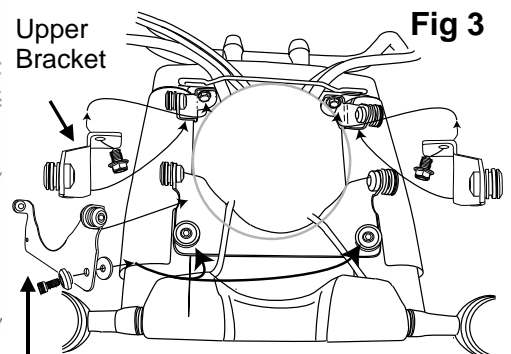


Fig 3

Lower Bracket

NOTE: make sure that only the brake lines are under the bracket and **NOT** the turn signal wires. Do not pinch them.

8. Install the fairing by placing the lower slots into the lower mounting bushings. Slip the upper slots into the upper mounting bushings and gently but firmly seat the slots into place. Lock the locking mechanism into place, (Fig 4)

9. Adjust the height, angle and alignment of the fairing and tighten **ALL** bolts.

10. Now, with the fairing firmly in place, tighten the two upper bracket bolts, from step 6.

11. Install the turn signal bar, followed by the headlight lens.

CAUTION

IMPORTANT CARE AND CLEANING INSTRUCTIONS

Memphis Shades Fairings and Loweres are made of Lucite® acrylic, and will last for years with proper care. Clean your fairing with plenty of soapy water — mild dishwashing liquid is best — and a soft cotton cloth. Use your bare hand to feel and dislodge bugs, or cover with a wet soapy towel and let it soak. Don't use paper towels and don't scrape with anything. Small scratches can be removed with NOVUS # 2.

NEVER use any glass cleaning products, petroleum based chemicals, or cleaning agents with ammonia, bleach or any other harsh chemicals. This includes (but not limited to) RainX, brake fluid, acetone, paint thinner, benzene and gasoline. "If it hurts your nose, it will hurt the plastic."

Glass cleansing agents will cause severe damage to your fairing, and will void your warranty.

NOTE: At certain times of the day the Sunlight can reflect off the curvature of a fairing and cause extreme heat build-up on motorcycle instruments and instrument panel. Take care when parking. Park facing the sun, place an opaque object over the instruments or position the bike to avoid reflections.



MOUNTING INSTRUCTIONS

2321-0146 MS Batwing Metric Fairing

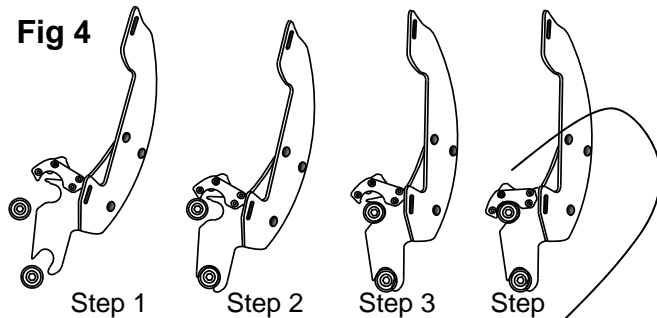


SUZUKI BOULEVARD C-90/C-90T (2005-2009) TRIGGER LOCK MOUNTING KIT

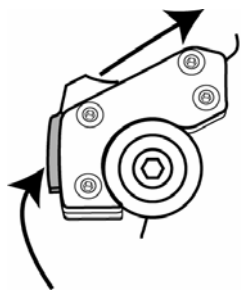
#	Code	Name	Qty
a	I1918	Instructions	1
b	M1347	Clutch side plate assembly	1
c	M1348	Throttle side plate assembly	1
d	M1335	Lower bracket assembly	1
e	M1337	Clutch side upper bracket	1
f	M1338	Throttle side upper bracket	1
g	M309	8mm x 20mm Socket head cap screw	2
h	M373	8mm x 12mm Hex head bolt	2

#	Code	Name	Qty
i	R312	8mm Stainless flat washer	2
j	R567	7/8" Beveled socket washer	2
k	R568	1 1/8" Spacer washer	2
l	M310	3/16" Short arm allen wrench	1
m	M311	6mm Short arm allen wrench	1
n	R303	5mm Short arm allen wrench	1
o	M312	4mm Short arm allen wrench	1

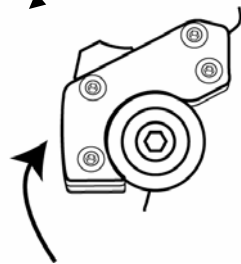
Fig 4



1. Place lower slot into lower bushing. 2. Rotate top slot into place. 3. & 4. Secure locking Mechanism.



NOT CORRECT



CORRECT
*Fully engaged
Locking mechanism*

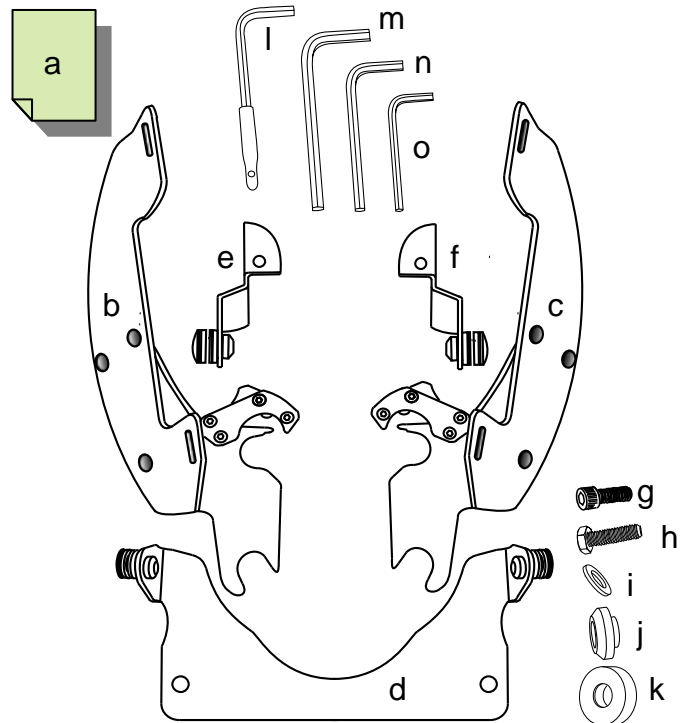
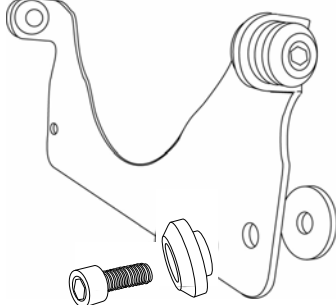


Fig 5



Correct lower bracket bolt and spacer mounting.

Bolt—beveled socket washer - bracket - spacer washer.

Memphis Shades warrants all product components, metal and plastic, against defects in materials and workmanship for 24 months.

FOR PARTS AND WARRANTY HELP, CONTACT:

MEMPHIS SHADES
P. O. Box 429
Rossville, TN 38066
(901) 853-0293

Visit us on the web at www.memphisshades.com or you can also reach us at customerservice@memphisshades.com