



Part No. 2321-0167

MEK1935

REVISION 0

Kawasaki Vulcan 1700 Nomad, Classic, Classic LT, 2009 MS Batwing Fairing Mounting kit

Before assembly, read Warnings inside



## WARNING

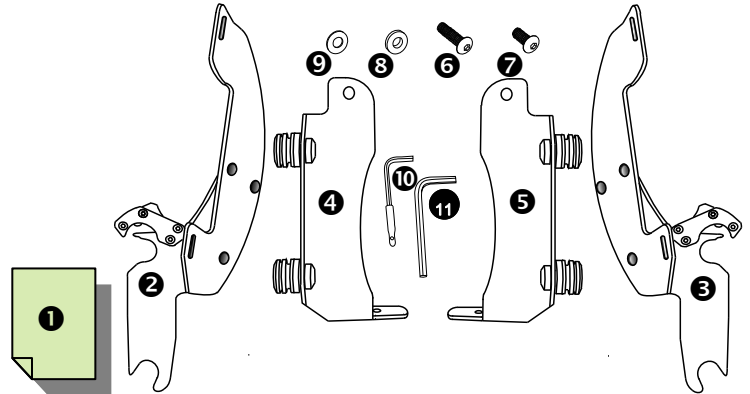
1. During installation, make sure that the fairing and hardware do not interfere with any cables or wiring when the forks are turned all the way in either direction. Also make sure , through the full range of adjustment, that the fairing and hardware do not hit the gas tank.
2. This is a detachable fairing, ALWAYS make sure the locking mechanism is fully engaged after installing the fairing.
3. The improper installation of this kit and related components could result in serious injury or death.



## CAUTION

1. Memphis Shades fairings are made from Lucite® acrylic, and will last for years with proper care. Clean your fairing with plenty of soapy water (mild dishwashing liquid is best) and a soft cotton cloth. Use your bare hands to feel and dislodge bugs, or cover with a wet, soapy towel and let it soak. Don't use paper towels and scrape with anything. Small scratches can be removed with NOVUS #2.
2. Never use any glass cleaning products, petroleum based chemicals, or cleaning agents with ammonia, bleach or any other harsh chemicals. This includes (but not limited to) RainX, brake fluid, acetone, paint thinner, benzene and gasoline. "If it hurts your nose, it will hurt the plastic."
3. Glass cleansing agents will cause severe damage to your fairing, and will void your warranty.
4. At certain times of the day the Sunlight can reflect off the curvature of a fairing and cause extreme heat build-up on motorcycle instruments and instrument panel. Take care when parking. Park facing the sun, place an opaque object over the instruments or adjust the fairing to avoid reflections.

## 1. Kit Contents



Ref	Code	Description	Qty
①	I1935	Mounting Instructions	1
②	M1347	Clutch side mounting plate assembly	1
③	M1348	Throttle side mounting plate assembly	1
④	M1401	Clutch side mounting bracket assembly	1
⑤	M1402	Throttle side mounting bracket assembly	1
⑥	M1405	M8 1.5 x 20mm SS button head screw	2
⑦	M1406	M8 1.5 x 10mm SS button head screw	2
⑧	M1407	8mm bolt spacer	2
⑨	R312	8mm flat SS washer	4
⑩	M310	3/16 Short arm allen wrench	1
⑪	R306	M5 Long arm hex key	1

## 2. Mounting Instructions

Additional tools required that are not included in this kit. 10mm socket or wrench.

1. **Cover gas tank and front fender with towels to avoid damage during installation.**
2. Use the nuts and washers supplied with the fairing and fit the clutch side mounting plate ② and throttle side mounting plate ③ onto the rear of the fairing (Fig 1).
3. Remove OEM windshield and hardware (if fitted) using 5mm allen wrench ⑪ provided.
4. Install short 8mm screw ⑦ and washer ⑨ provided into the hole in the fork tin on each side where the OEM hardware was attached and tighten using 5mm Allen wrench. ⑪

Memphis Shades warrants all product components, metal and plastic, against defects in materials and workmanship for 24 months.

### For Parts and Warranty Help, Contact:

Memphis Shades, Inc.

P.O. Box 429

Rossville, TN 38066

(901) 853 0293

Visit us on the web at [www.memphisshades.com](http://www.memphisshades.com) or you can also reach us by email:

[customerservice@memphisshades.com](mailto:customerservice@memphisshades.com)

**Kawasaki Vulcan 1700 Nomad, Classic,  
Classic LT, 2009  
MS Batwing Fairing Mounting kit**

## 2. Mounting Instructions, continued

5. Using a 10mm socket or wrench remove the two screws that hold the headlight bracket to the lower triple tree. Slip throttle ⑤ and clutch ④ brackets under headlight bracket and loosely reinstall original bolts through headlight bracket then fairing mounting bracket, chrome trim and into triple tree (Fig 2)

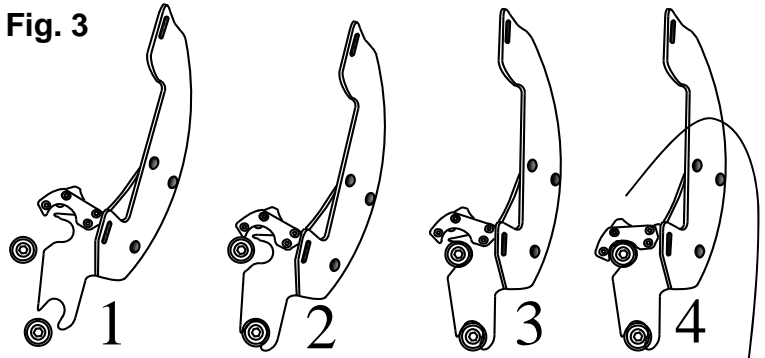
6. Install longer 8mm screws ⑥ provided with washer ⑨ through fairing mounting brackets then through aluminum spacer provided and into upper triple holes where OEM hardware was attached. Tighten these upper bolts first then tighten headlight bracket bolts (Fig 2)

7. Install the fairing by placing the lower slots of the mounting plates ② ③ into the lower mounting bushings. Slip the upper slots into the upper mounting bushings and gently but firmly seat the slots into place. (Fig 3). Lock the locking mechanism into place.

8. Adjust the height, angle and alignment of the fairing and tighten ALL bolts.

Note: This is a detachable fairing, ALWAYS make sure the Locking Mechanism is Fully Engaged after installing the fairing.

Fig. 3



1. Place lower slot into lower bushing.
2. Rotate top slot into place.
3. Secure locking Mechanism.
4. Loosen Allen Bolt to adjust angle, then re-tighten Allen Bolt.

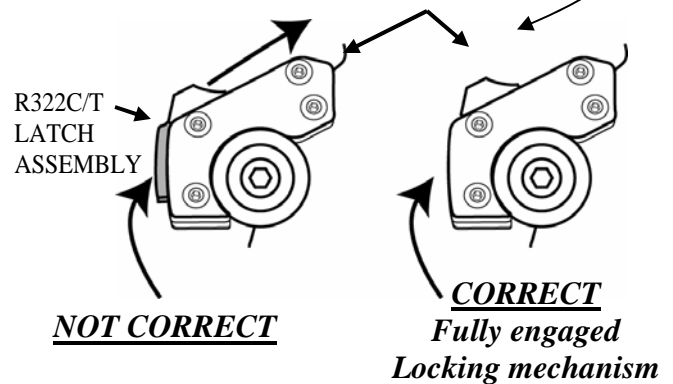


Fig. 1

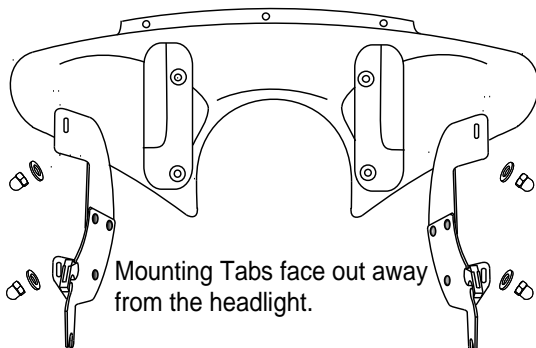


Fig. 2

