



Part No. 2321-0171

MEK1937

REVISION 0

Yamaha Roadliner / Stratoliner 2006- 2010
MS Batwing Fairing
Mounting kit

Detachable system allows easy removal.
Stylish and Functional

Before assembly, read Warnings inside



WARNING

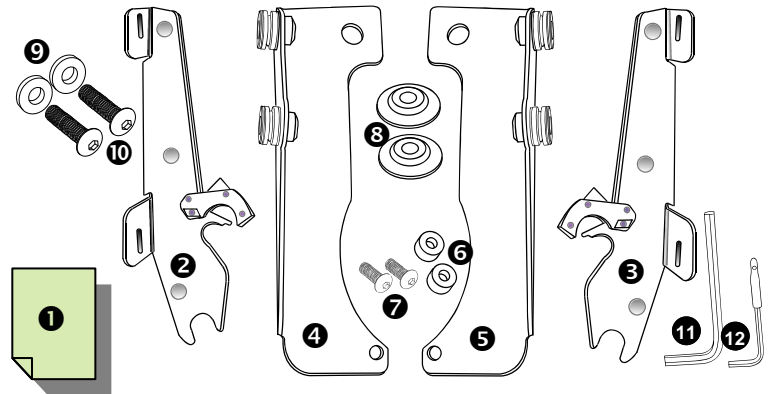
1. During installation, make sure that the fairing and hardware do not interfere with any cables or wiring when the forks are turned all the way in either direction. Also make sure , through the full range of adjustment, that the fairing and hardware do not hit the gas tank.
2. This is a detachable fairing, ALWAYS make sure the locking mechanism is fully engaged after installing the fairing.
3. The improper installation of this kit and related components could result in serious injury or death.



CAUTION

1. Memphis Shades fairings are made from Lucite® acrylic, and will last for years with proper care. Clean your fairing with plenty of soapy water (mild dishwashing liquid is best) and a soft cotton cloth. Use your bare hands to feel and dislodge bugs, or cover with a wet, soapy towel and let it soak. Don't use paper towels and scrape with anything. Small scratches can be removed with NOVUS #2.
2. Never use any glass cleaning products, petroleum based chemicals, or cleaning agents with ammonia, bleach or any other harsh chemicals. This includes (but not limited to) RainX, brake fluid, acetone, paint thinner, benzene and gasoline. "If it hurts your nose, it will hurt the plastic."
3. Glass cleansing agents will cause severe damage to your fairing, and will void your warranty.
4. At certain times of the day the Sunlight can reflect off the curvature of a fairing and cause extreme heat build-up on motorcycle instruments and instrument panel. Take care when parking. Park facing the sun, place an opaque object over the instruments or adjust the fairing to avoid reflections.

1. Kit Contents



Ref	Code	Description	Qty
①	I1937	Mounting Instructions	1
②	M1278	Throttle side plate assembly	1
③	M1277	Clutch side plate assembly	1
④	M1088	Throttle side bracket assembly	1
⑤	M1087	Clutch side bracket assembly	1
⑥	R319	1/2" diameter spacer	2
⑦	M366	8mm x 30mm Button head cap screw	2
⑧	R320	1 1/2" Support spacer	2
⑨	R312	8mm Flat washer	2
⑩	M1450	8mm x 25mm Button head cap screw	2
⑪	R306	5mm Long arm allen wrench	1
⑫	M310	3/16 Short arm allen wrench	1

2. Mounting Instructions

Additional tools required that are not included in this kit.
7/16" or 11mm Wrench.

1. Cover gas tank and front fender with towels to avoid damage during installation.
2. Install the two mounting plates ② ③ onto the fairing using the black washer and acorn nut supplied with the fairing. (Fig 1). Tabs point in towards the headlight.
3. On the Roadliner, use the 5mm Allen wrench, locate and remove the two upper allen head bolts, one on each side of the headlight. (Fig 2)
4. On the Stratoliner, remove the OEM windshield and mounting hardware.

continued over....

Memphis Shades warrants all product components, metal and plastic, against defects in materials and workmanship for 24 months.

For Parts and Warranty Help, Contact:

Memphis Shades, Inc.

P.O. Box 429

Rossville, TN 38066

(901) 853 0293

Visit us on the web at www.memphisshades.com or you can also reach us by email:

customerservice@memphisshades.com

**Yamaha Roadliner / Stratoliner 2006- 2010
MS Batwing Fairing
Mounting kit**

2. Mounting Instructions, continued

5. Install the Throttle side bracket **4** by placing the support washer **3** into the upper hole, "the large part faces out, the small part faces in" followed by the bracket and then loosely install the 8mm x 25mm button head cap screw **10** and 8mm Flat washer **9**. (Fig 2)

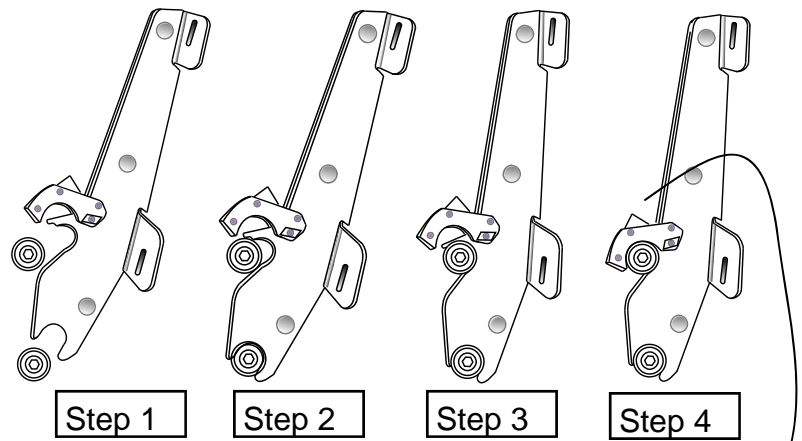
6. Locate and remove the two unused bolts in the lower triple tree, one on each side of the headlight and discard. Install the lower screw by inserting one of the new 8mm x 30mm button head screws **7** in this order, through the bracket **4**, through the spacer **6** and tighten the lower and upper bolt.

7. Repeat step 6 for the Clutch side bracket **5**. (Fig 2)

8. Install the fairing by placing the lower slots into the lower mounting bushings. Slip the upper slots into the upper mounting bushings and gently but firmly seat the slots into place. Lock the locking mechanism into place. (Fig 3 and 4)

9. Adjust the height, angle and alignment of the fairing and tighten **ALL** bolts.

Note: This is a detachable fairing, ALWAYS make sure the Locking Mechanism is Fully Engaged after installing the fairing! (Fig 4)



1. Place lower slot into lower bushing.
2. Rotate top slot into place.
3. Secure locking Mechanism.
4. Loosen Allen Bolt to adjust angle, then re-tighten Allen Bolt.

Fig. 4

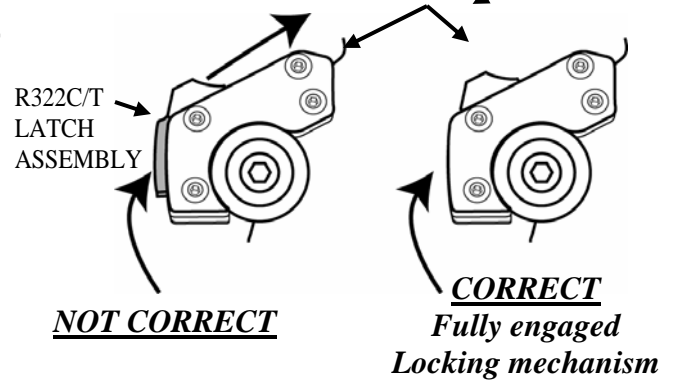


Fig. 1

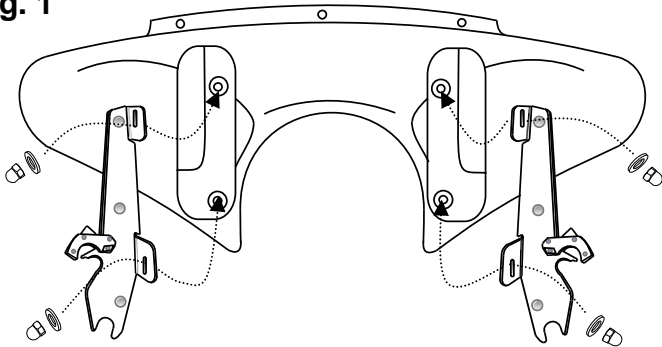


Fig. 2

