



Part No. 2321-0206

MEK1957

REVISION 0

**Trigger Lock Mounting Kit
MS Dyna Metric Batwing Fairing
Black**

**Aluminum parts are electrocoated (E-coated)
for durability and weather resistance.**

Before assembly, read Warnings inside



WARNING

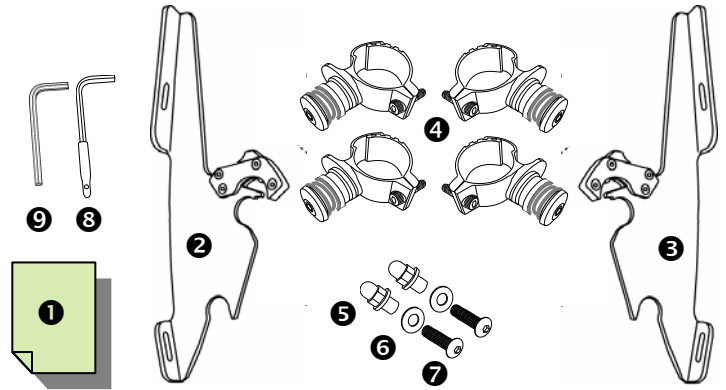
1. During installation, make sure that the fairing and hardware do not interfere with any cables or wiring when the forks are turned all the way in either direction. Also make sure , through the full range of adjustment, that the fairing and hardware do not hit the gas tank.
2. This is a detachable fairing, ALWAYS make sure the locking mechanism is fully engaged after installing the fairing.
3. The improper installation of this kit and related components could result in serious injury or death.



CAUTION

1. Memphis Shades fairings are made from Lucite® acrylic, and will last for years with proper care. Clean your fairing with plenty of soapy water (mild dishwashing liquid is best) and a soft cotton cloth. Use your bare hands to feel and dislodge bugs, or cover with a wet, soapy towel and let it soak. Don't use paper towels and scrape with anything. Small scratches can be removed with NOVUS #2.
2. Never use any glass cleaning products, petroleum based chemicals, or cleaning agents with ammonia, bleach or any other harsh chemicals. This includes (but not limited to) RainX, brake fluid, acetone, paint thinner, benzene and gasoline. "If it hurts your nose, it will hurt the plastic."
3. Glass cleansing agents will cause severe damage to your fairing, and will void your warranty. For care and cleaning we recommend using **Memphis Shades All Kleer**, a unique cleaner/polish, bug remover and rain repellent that leaves a super slick surface that makes the next cleaning even easier.
4. At certain times of the day the Sunlight can reflect off the curvature of a fairing and cause extreme heat build-up on motorcycle instruments and instrument panel. Take care when parking. Park facing the sun, place an opaque object over the instruments or adjust the fairing to avoid reflections.

1. Kit Contents



Ref	Code	Description	Qty
①	I1957B	Mounting Instructions	1
②	M1133EB	Clutch side mounting plate assembly	1
③	M1134EB	Throttle side mounting plate assembly	1
④	S1230EB	Small detachable clamp assembly	4
⑤	M997	Acorn nut	2
⑥	M998	Washer	2
⑦	M974	Screw	2
⑧	M310	3/16" Short arm allen wrench	1
⑨	M943	5/32" Short arm allen wrench	1

2. Mounting Instructions

Additional tools required that are not included in this kit. 7/16" or 11mm wrench, 8mm wrench.

1. **Cover gas tank and front fender with towels to avoid damage during installation.**
2. Remove the bolt securing each turn signal to it's mounting bar, open the clamp, remove the clamp from the fork and set aside the bolt and metal sleeve. (Fig 1)
3. On the clutch side, remove the brake line holder while you are relocating the turn signals, and then reinstall afterwards.
4. Relocate each clamp below the triple tree using the hardware provided with the mounting kit. (Fig 2)
5. Additional wire can be pulled out from the back of headlight. A few tugs should be sufficient. (Removing headlight lens will give you access to wires in case they become tangled) (Fig 4)
6. Install the two mounting plates onto the rear of the fairing with the acorn nuts and washers supplied. The tabs should point out, away from the headlight. (Fig 3)
7. Loosely install the forks clamps, above the triple tree, on the forks. (Fig 4)

Continued overleaf.....

Memphis Shades warrants all product components, metal and plastic, against defects in materials and workmanship for 24 months.

For Parts and Warranty Help, Contact:

Memphis Shades, Inc.

P.O. Box 429

Rossville, TN 38066

(901) 853 0293

Visit us on the web at www.memphisshades.com or you can also reach us by email:

customerservice@memphisshades.com

Trigger Lock Mounting Kit
MS Metric Batwing Fairing
bLACK

2. Mounting Instructions, continued

8. Slip the fairing mounting plates and fairing onto the fork clamps, then secure the left and right locking mechanism. (Fig 5)

9. Adjust the height, angle and alignment of the fairing and tighten all bolts.

Note : This is a detachable fairing, **ALWAYS** make sure the locking mechanism is fully engaged after installing the fairing.

Fig. 1

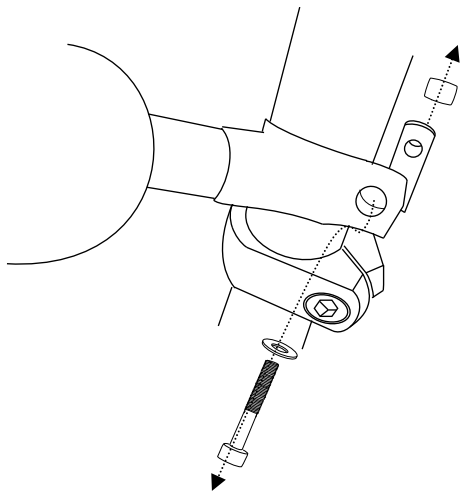


Fig. 2

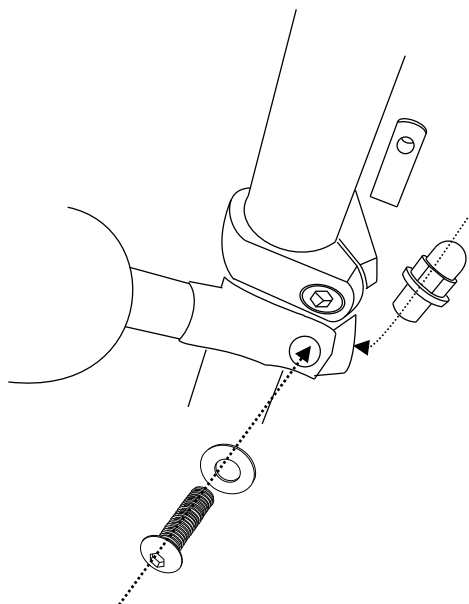


Fig. 3

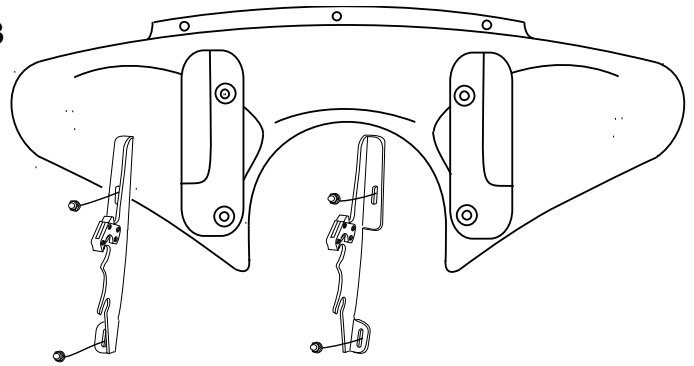
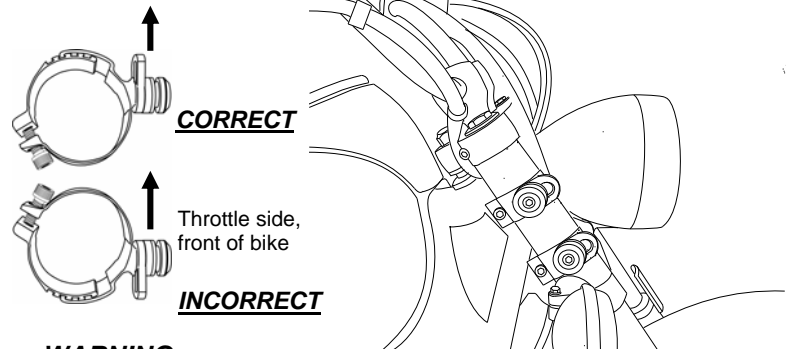


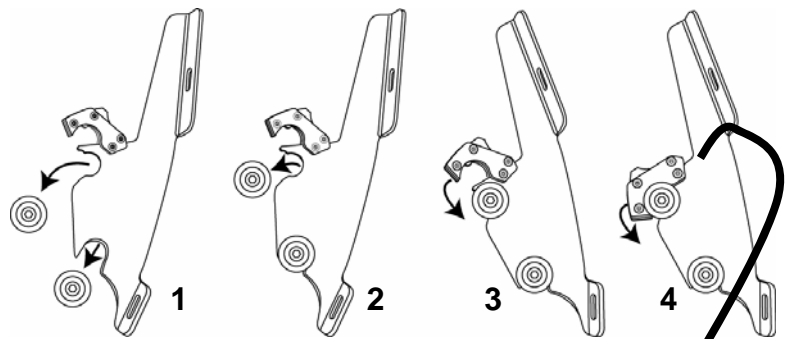
Fig. 4



WARNING:
"Mounting clamps backwards will cause damage to your tank."

Additional wire can be pulled out from the back of headlight if required.

Fig. 5



1. Place lower slot into lower bushing.
2. Rotate top slot into place.
3. Secure locking mechanism.
4. Loosen Allen Bolt to adjust angle, then re-tighten Allen Bolt.

