



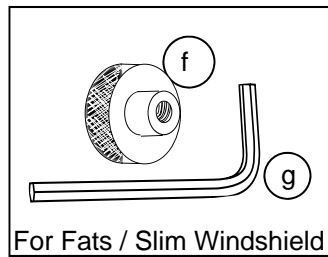
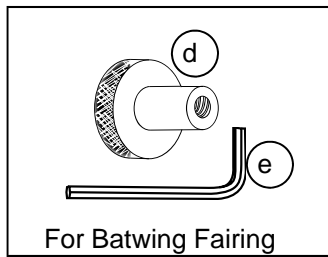
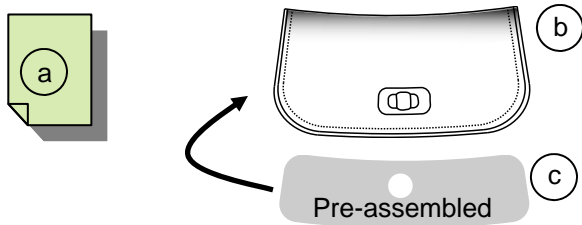
Part No. 3508-0017

M0939 091311

Single Center Pouch

Use with Memphis Shades Batwing Fairing and Windshield, or Fats / Slim Windshield. Made of weather resistant LeatherTek with clasp fasteners.

1. Kit Contents

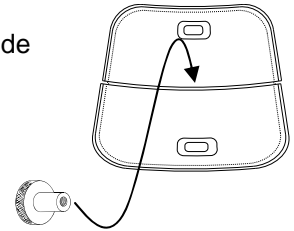


Ref	Part #	Description	Qty
(a)	I0939	Mounting Instructions	1
(b)	M1517	Single pouch	1
(c)	M1535	Single pouch ABS Insert	1
(d)	M981	Long thumb nut	1
(e)	M943	5/32 Short arm allen wrench	1
(f)	M1538	Short thumb nut	1
(g)	M310	3/16 Short arm allen wrench	1

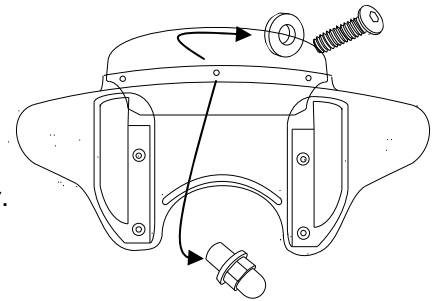
2. Mounting Instructions Batwing Fairing

1. Additional tools required, not included in this kit: 7/16" or 11mm wrench.

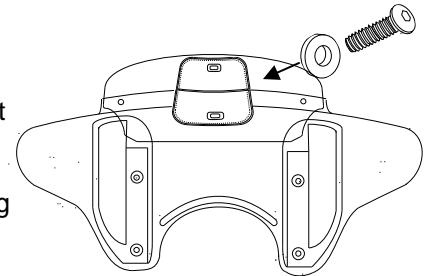
2. Open the pouch. From inside the pouch push the Long thumb nut (d) through the hole.



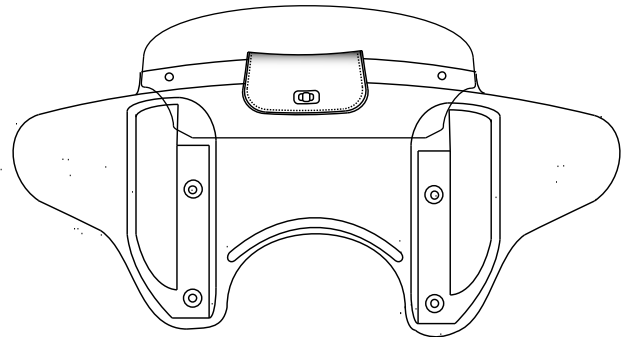
3. Remove the existing acorn nut/shoulder spacer from the center hole. Withdraw the Screw and Washer. Retain the Screw and Washer.



4. Align the pouch over the center hole and re-insert the Screw with Washer through the front of the fairing. Secure in place, inside the pouch using the Long thumb nut (d).



5.



Memphis Shades warrants all product components, metal and plastic, against defects in materials and workmanship for 24 months.

For Parts and Warranty Help, Contact:

Memphis Shades, Inc.
P.O. Box 429
Rossville, TN 38066
(901) 853 0293

Visit us on the web at www.memphisshades.com or you can also reach us by email: customerservice@memphisshades.com

Mounting Instructions for Fats / Slim windshield shown overleaf





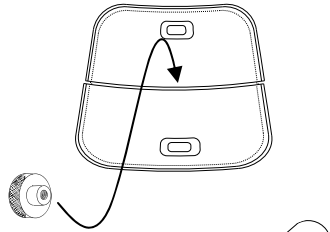
Part No. 3508-0017

Single Center Pouch

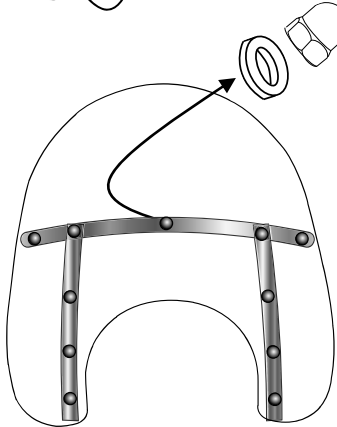
3. Mounting Instructions Fats / Slim

1. Additional tools required, not included in this kit:
7/16" or 11mm wrench.

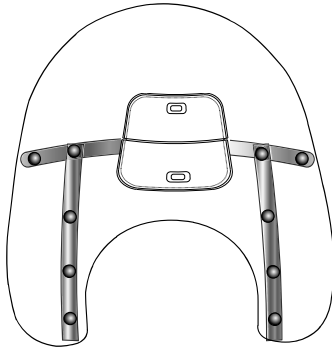
2. Open the pouch. From inside the pouch push the Short thumb nut (f) through the hole.



3. Remove the existing acorn nut and washer from the center hole on the rear of the top strap. Discard both.



4. Align the pouch over the center hole and onto the exposed socket head cap screw. Screw in the socket head cap screw with the supplied allen wrench, and secure inside the pouch using the Short thumb nut (f).



5.



The Fusion of Style & Function