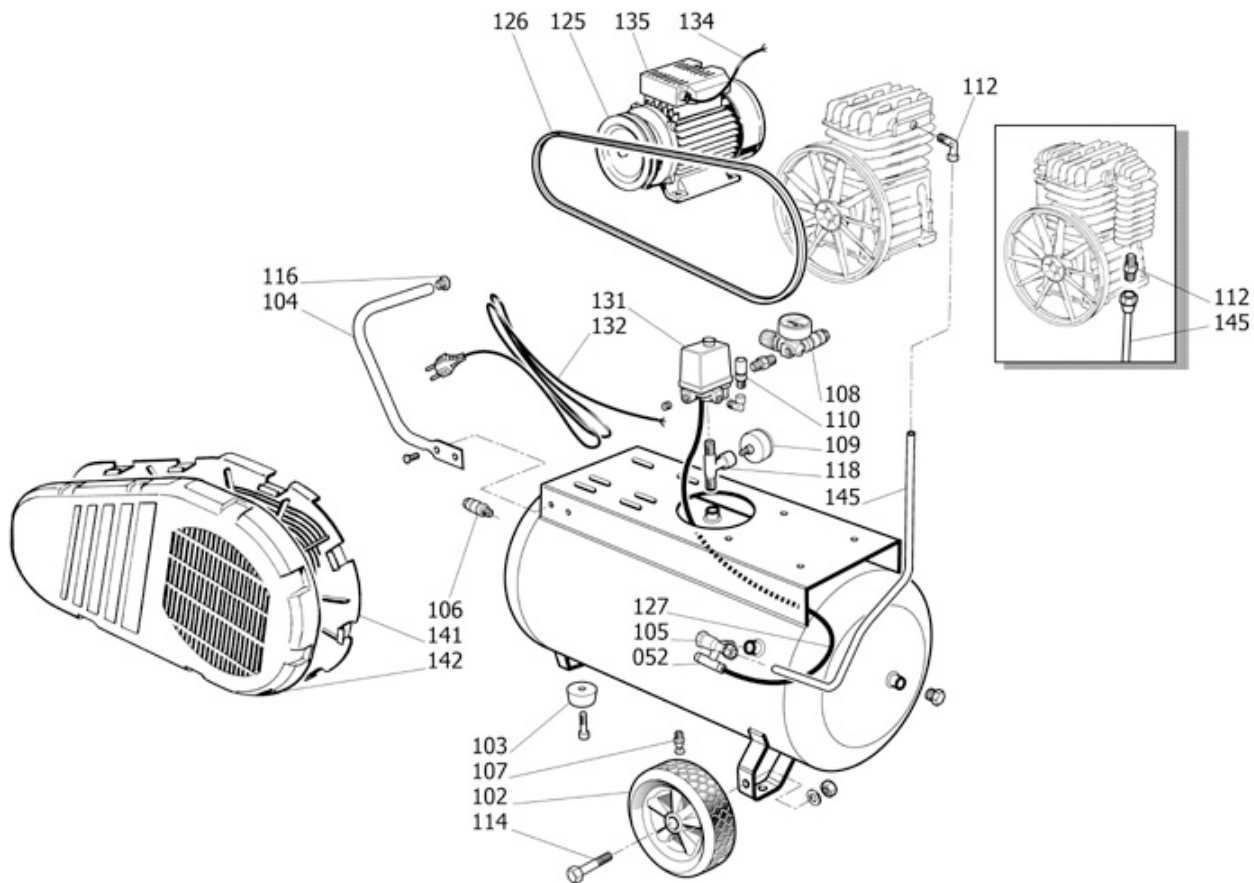


Information

Item 4116024257 Description A29B 50 CM3.



Part

| Nr. | Item | Description | End | Q.ty |
|-----|------------|-------------------------|----------|---------|
| 099 | 4116090308 | Pump | | 1.00 PC |
| 099 | 4116090296 | Pump | 14/11/12 | 1.00 PC |
| 100 | 2236100168 | Plug -receiver | 29/12/40 | 1.00 PC |
| 102 | 6214347300 | Wheel | | 2.00 PC |
| 102 | 6214347300 | Wheel | 03/10/12 | 2.00 PC |
| 102 | 2236112027 | Wheel | 09/11/12 | 2.00 PC |
| 102 | 2236105212 | Wheel | 20/04/12 | 2.00 PC |
| 103 | 6214345500 | Pivot wheel - front pin | | 1.00 PC |
| 103 | 6214345500 | Pivot wheel - front pin | 03/10/12 | 1.00 PC |

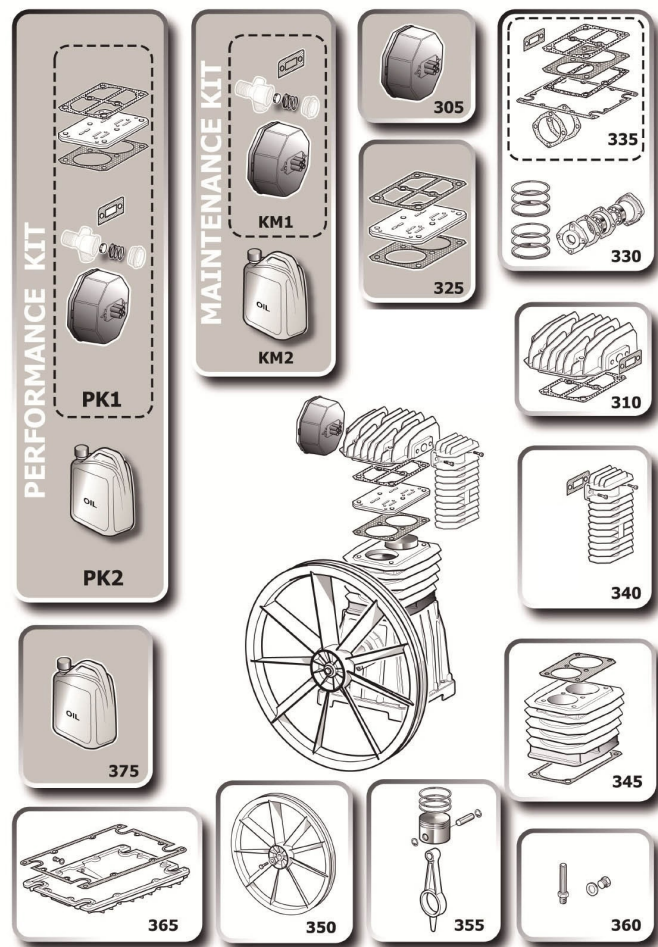
Part

| Nr. | Item | Description | End | Q.ty |
|------------|-------------|-------------------------|------------|-------------|
| 103 | 6214346200 | Pivot wheel - front pin | 09/11/12 | 1.00 PC |
| 103 | 6214345500 | Pivot wheel - front pin | 20/04/12 | 2.00 PC |
| 104 | 6214343300 | Handle | | 1.00 PC |
| 104 | 6214343700 | Handle | 20/04/12 | 1.00 PC |
| 105 | 2236110537 | Non return valve | | 1.00 PC |
| 106 | 6231944100 | Tap | | 1.00 PC |
| 106 | 6231944200 | Tap | 05/11/13 | 1.00 PC |
| 107 | 2236111480 | Drain tap | | 1.00 PC |
| 107 | 6210717700 | Drain tap | 17/09/12 | 1.00 PC |
| 108 | 6214344100 | Pressure reducer | | 1.00 PC |
| 108 | 6214344100 | Pressure reducer | 14/02/13 | 1.00 PC |
| 109 | 6214345000 | Gauge | | 1.00 PC |
| 110 | 6210719900 | Safety valve | | 1.00 PC |
| 112 | 6231943500 | Fitting | | 1.00 PC |
| 114 | 6214348000 | Wheel pin | | 2.00 PC |
| 114 | 6214348000 | Wheel pin | 03/10/12 | 2.00 PC |
| 114 | 2236112033 | Wheel pin | 09/11/12 | 2.00 PC |
| 114 | 2236112031 | Wheel pin | 16/10/12 | 2.00 PC |
| 114 | 2236102979 | Wheel pin | 20/04/12 | 2.00 PC |
| 115 | 2236100750 | Snap ring | 31/05/97 | 2.00 PC |
| 116 | 6214344600 | Plug | | 1.00 PC |
| 117 | 2236105157 | Knob | 20/04/12 | 1.00 PC |
| 118 | 6231943000 | Fitting | | 1.00 PC |
| 118 | 6231942900 | Fitting | 02/11/14 | 1.00 PC |
| 118 | 6275613400 | Fitting | 14/02/13 | 1.00 PC |
| 125 | 6224181700 | Pulley | 11/09/12 | 1.00 PC |
| 125 | 2236111827 | Pulley | 21/07/19 | 1.00 PC |
| 126 | 6214631100 | Belt | | 1.00 PC |
| 127 | 2236112998 | Rilsan tube | | 0.70 MT |
| 127 | 6245578000 | Rilsan tube | 18/12/15 | 0.70 M |
| 131 | 2236110610 | Pressure switch | | 1.00 PC |
| 131 | 2236101189 | Pressure switch | 01/05/13 | 1.00 PC |
| 131 | 2236110612 | Pressure switch | 12/06/13 | 1.00 PC |
| 131 | 2236110610 | Pressure switch | 14/02/13 | 1.00 PC |
| 131 | 2236110612 | Pressure switch | 14/02/13 | 1.00 PC |
| 131 | 2236110612 | Pressure switch | 29/04/13 | 1.00 PC |
| 132 | 6256395100 | Cable | | 1.00 PC |
| 132 | 2236106734 | Cable | 04/04/17 | 1.00 PC |
| 132 | 2236106733 | Cable | 14/02/13 | 1.00 PC |
| 132 | 6256395300 | Cable | 14/02/13 | 1.00 PC |
| 135 | 2236112854 | Motor | | 1.00 PC |

Information

Item 4116024257 Description A29B 50 CM3.

A29B



Part

| Nr. | Item | Description | End | Q.ty |
|-----|------------|-------------------|----------|---------|
| 305 | 2236111635 | Air filter | 04/02/15 | 1.00 PC |
| 305 | 2236111635 | Air filter | 14/11/12 | 1.00 PC |
| 305 | 2236112735 | Air filter | | 1.00 PC |
| 305 | 2236112735 | Air filter | 14/11/12 | 1.00 PC |
| 310 | 2901325044 | Cylinder head kit | | 1.00 PC |
| 310 | 2901325044 | Cylinder head kit | 14/11/12 | 1.00 PC |
| 325 | 2236112518 | Valve plate kit | | 1.00 PC |
| 325 | 2236112518 | Valve plate kit | 14/11/12 | 1.00 PC |
| 330 | 2901325046 | Upgrade kit | | 1.00 PC |

Part

| Nr. | Item | Description | End | Q.ty |
|------------|-------------|----------------------|------------|-------------|
| 330 | 2901325046 | Upgrade kit | 14/11/12 | 1.00 PC |
| 335 | 2901325045 | Joints kit | | 1.00 PC |
| 335 | 2901325045 | Joints kit | 14/11/12 | 1.00 PC |
| 340 | 2236112794 | Aftercooler kit | 14/11/12 | 1.00 PC |
| 345 | 2236112434 | Cylinder kit | | 1.00 PC |
| 345 | 2236112434 | Cylinder kit | 14/11/12 | 1.00 PC |
| 350 | 2901325048 | Flywheel kit | | 1.00 PC |
| 350 | 2901325048 | Flywheel kit | 14/11/12 | 1.00 PC |
| 355 | 2236111619 | Conrod-piston kit LP | | 1.00 PC |
| 355 | 2236111619 | Conrod-piston kit LP | 14/11/12 | 1.00 PC |
| 355 | 2236111619 | Conrod-piston kit LP | 07/02/12 | 2.00 PC |
| 355 | 2236111619 | Conrod-piston kit LP | 08/04/13 | 2.00 PC |
| 360 | 2901325049 | Oil level kit | | 1.00 PC |
| 360 | 2901325049 | Oil level kit | 14/11/12 | 1.00 PC |
| 365 | 2236112437 | Crankcase cover kit | | 1.00 PC |
| 365 | 2236112437 | Crankcase cover kit | 14/11/12 | 1.00 PC |
| 375 | 1630020700 | Oil can | | 1.00 PC |
| 375 | 1630020700 | Oil can | 14/11/12 | 1.00 PC |
| KM1 | 8973037864 | Maintenance kit | | 1.00 PC |
| KM1 | 8973037864 | Maintenance kit | 14/11/12 | 1.00 PC |
| KM2 | | ORDER OIL SEPARATELY | | 1.00 PC |
| KM2 | | ORDER OIL SEPARATELY | 14/11/12 | 1.00 PC |
| PK1 | 8973037657 | Performance kit | | 1.00 PC |
| PK1 | 8973037657 | Performance kit | 14/11/12 | 1.00 PC |
| PK2 | | ORDER OIL SEPARATELY | | 1.00 PC |
| PK2 | | ORDER OIL SEPARATELY | 14/11/12 | 1.00 PC |