

FROM 2008

# Spraymist 1.25L

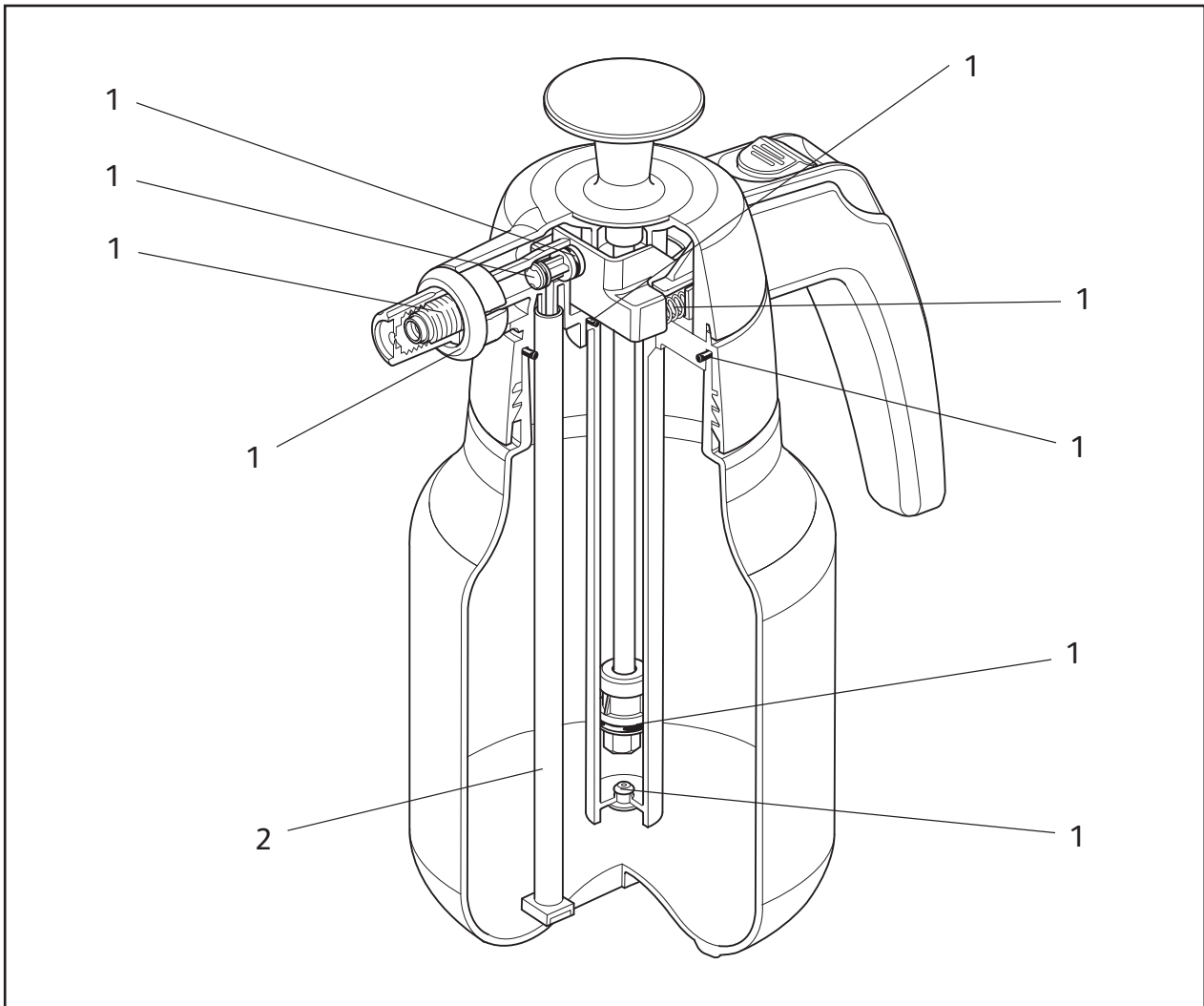
## Killaspray 1.25L

## Viton 1.25L

4122

4602

5102



Description	Part Number
1 Annual Service Kit (2 x piston springs, 1 x non-return valve, 6 x 'O' rings, 1 x nozzle)	4091
2 Dip tube and filter	74500-014

# HOZELOCK

Consumer Services  
Hozelock Ltd.,  
Midpoint Park,  
Birmingham B76 1AB,  
England.  
Tel: +44 (0) 121 313 1122  
www.hozelock.com