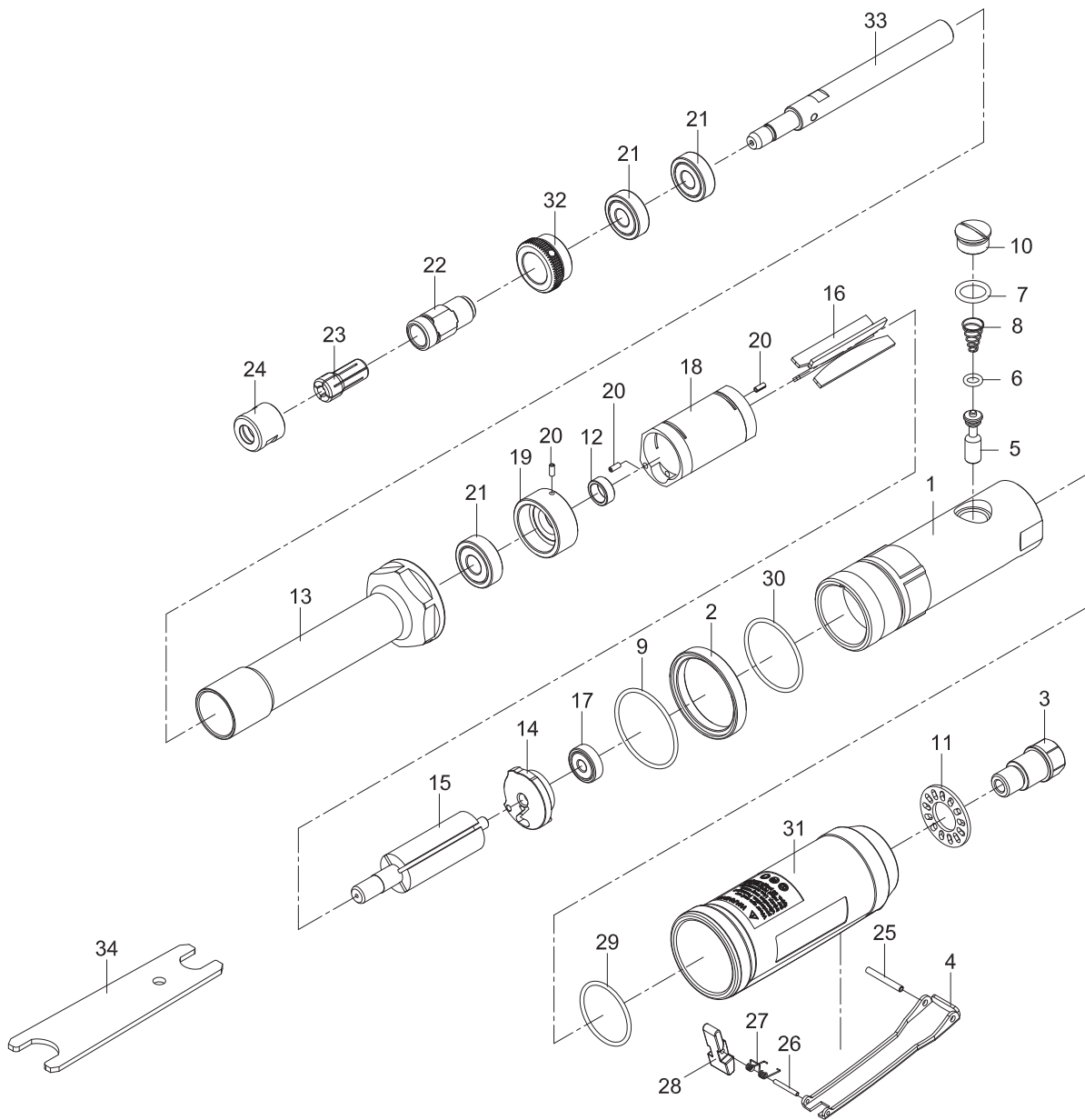


RRG-1000REL DIE GRINDER



Index No.	Parts No.	Description	Index No.	Parts No.	Description
1	50-520001	Motor Housing	18	5L-520018	Cylinder
2	50-520002	Decoration Ring	19	5K-3011B19	Front End Plate
3	50-520003	Air Inlet	20	72017	Spring Pin(3) (Ø2.5x6L)
4	5J-842304	Throttle Lever	21	051220	Ball Bearing (3) (6000zz)
5	50-520005	Valve Shaft	22	50-500222	Collet Holder
6	70107	O-Ring (Ø4.8xØ2.2)	23	50-500228	Collet
7	70123	O-Ring (Ø11.8xØ2.4)	24	50-500223	Collet Nut
8	50-520008	Spring	25	30102	Spring Pin (Ø3x24L)
9	OR04000200	O-Ring (Ø40xØ2)	26	40128-21	Spring Pin (Ø2x16L)
10	50-520010	Plug	27	51541	Spring
11	50-520011	Diffuser	28	5J-842350	Safety Bar
12	5K-3011B11	Rotor Bushing	29	OR03105200	O-Ring (Ø31.5xØ2)
13	5E-520013	Clamp Nut	30	40126	O-Ring (Ø35.5xØ2)
14	5K-3011B14	Rear End Plate	31	50-520052	Grip
15	50-520015	Rotor	32	51223F-12	Lock Nut
16	5K-3011B16	Rotor Blade (4)	33	5E-520030	Extension Bar
17	030113	Ball Bearing (626zz)	34	51228	Spanner(2)

*Optional parts

5E-5200-0001

06.03.2013