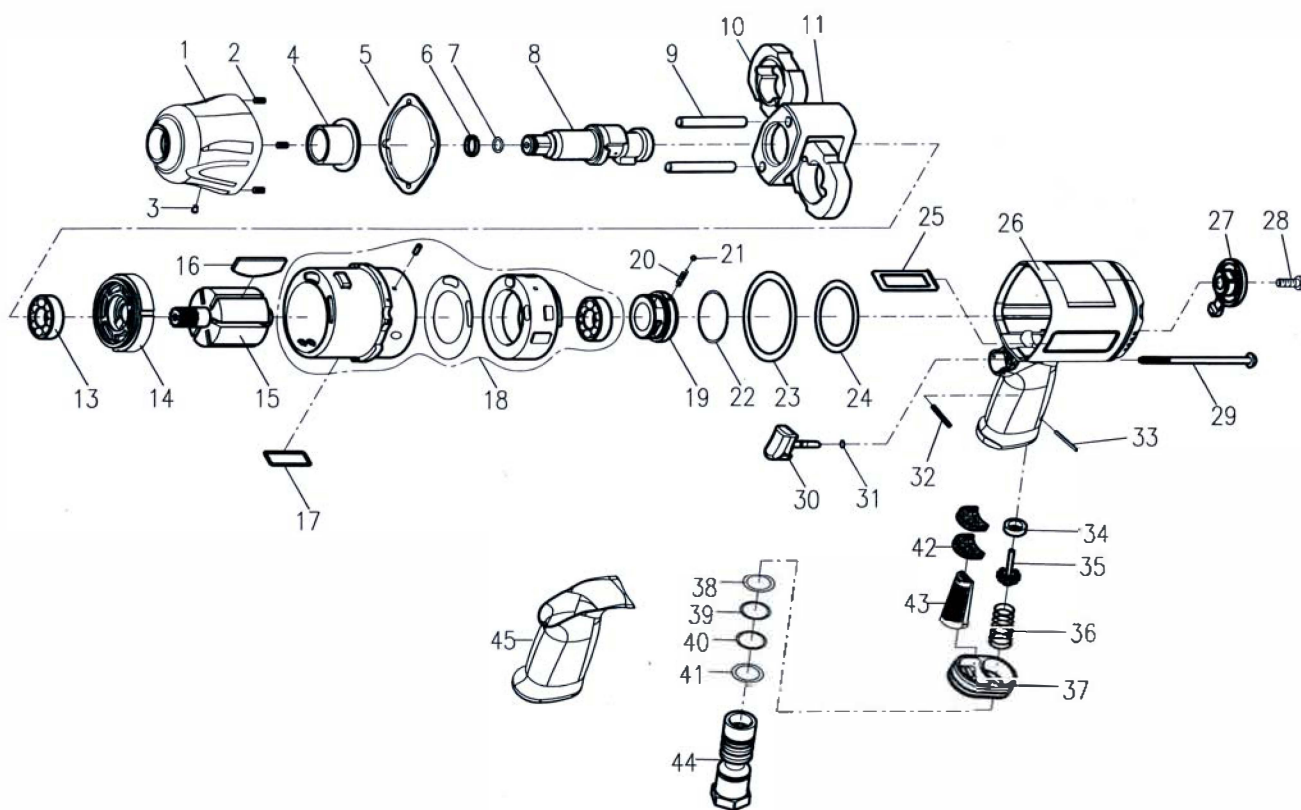


RRI-21/H 1/2" IMPACT WRENCH



Index No.	Part No.	Description	Q'ty	Index No.	Part No.	Description	Q'ty
1	307B-002	Hammer Case	1	23	305F-030	Rear Gasket	1
2	00-4302	Inserts Recoil (M5)	4	24	305F-031	Washer	1
3	00-4603	Grease Fitting (1/8")	1	25	305F-019	Air Channel Gasket	1
4	305N-010	Anvil Bushing	1	26	307B-001	Motor Housing	1
5	305M-020	Front Gasket	1	27	305V-022	Regulator Knob	1
6	250-033	Anvil Collar	1	28	00-6204	Cap Screw (M5x6L)	1
7	00-4103	O-Ring (P7)	1	29	307B-028	Screw (M5)	4
8	305V-011A4	Anvil (Pinhole)	1	30	305H-024	Trigger	1
9	305N-016	Hammer Pin	2	31	00-4101	O-Ring (3x ϕ 1)	1
10	305V-017	Hammer	2	32	00-3335	Spring Pin (ϕ 2x22L)	1
11	305N-012	Hammer Cage	1	33	00-3308	Spring Pin (ϕ 3x18L)	1
13	00-2313	Ball Bearing (6002)	1	34	306-027-B	Bushing	1
14	307B-005	Front End Plate	1	35	306-026	Valve Stem	1
15	305N-007	Rotor	1	36	305F-026-B	Spring	1
16	305N-008D	Rotor Blade	6	37	305-021	Exhaust Deflector	1
17	305H-041	Square Ring	1	38	00-4126	O-Ring (P16)	1
18	305N-006B	Cylinder	1	39	00-4143	O-Ring (17x ϕ 1.5)	1
	305F-033	Valve Sleeve Gasket	1	40	00-4127	O-Ring (17.17x ϕ 1.78)	1
	305H-029	Valve Sleeve	1	41	305F-032	Washer	1
	00-2305	Ball Bearing (6001)	1	42	305V-027	Muffler	2
	00-3407	Pin (ϕ 3x5L)	1	43	305F-042	Muffler	1
19	305Q-021	Regulator	1	44	305J-025A	Air Inlet (1/4" PF)	1
20	305F-034B	Spring	1		305J-025B	Air Inlet (1/4" PT)	
21	00-3805	Steel Ball(1/8")	1		305J-025C	Air Inlet (1/4" NPT)	
22	00-4174	O-Ring (31x ϕ 1.5)	1	45	307B-036	Handle Rubber	1