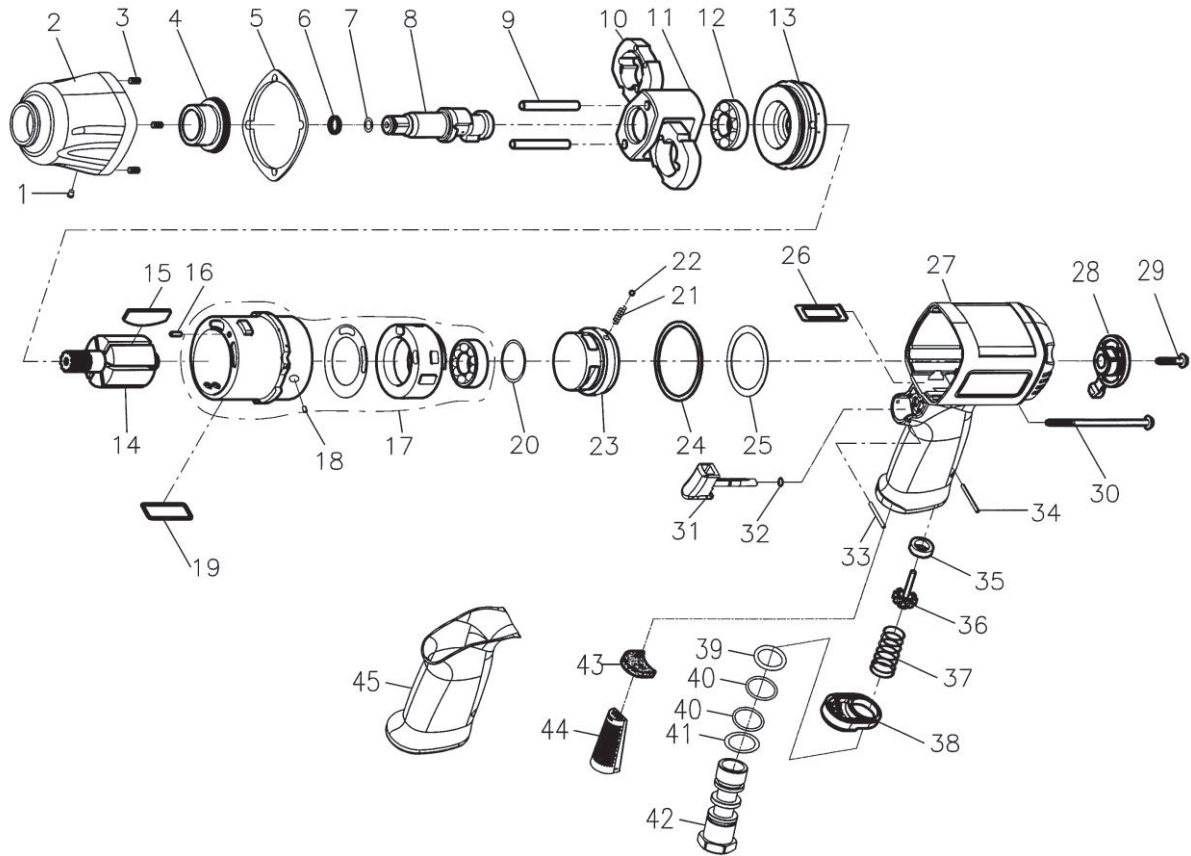


RRI-17 3/8" IMPACT WRENCH



Index No.	Part No.	Description	Q'ty	Index No.	Part No.	Description	Q'ty	
1	00-4603	Grease Fitting	1	22	00-3805	Steel Ball	1	
2	248B-002	Hammer Case	1	23	243J-021	Regulator	1	
3	00-4302	Inserts Recoil	4	24	243F-030	Rear Gasket	1	
4	242-010B	Anvil Bushing	1	25	243F-031	Washer	1	
5	243H-020	Front Gasket	1	26	243F-019	Air Channel Gasket	1	
6	242-026	Anvil Collar (3/8" Square)	1	27	248B-001	Motor Housing	1	
	250-033	Anvil Collar (1/2" Square)		28	243V-022	Regulator Knob	1	
7	00-4144	O-Ring (3/8" Square)	1	29	00-6203	Cap Screw	1	
	00-4103	O-Ring (1/2" Square)		30	243H-028	Screw	4	
8	243F-XI-011NA3	Anvil (3/8" Square)	1	31	305H-024	Trigger	1	
	243F-XI-011NA4	Anvil (1/2" Square)		32	00-4101	O-Ring	1	
9	243L-016	Hammer Pin	2	33	00-3346	Spring Pin	1	
10	243V-017	Hammer	2	34	00-3308	Spring Pin	1	
11	243L-012	Hammer Cage	1	35	306-027-B	Bushing	1	
12	00-2306	Ball Bearing	1	36	306-026	Valve Stem	1	
13	243L-005B	Front End Plate	1	37	305F-026-B	Spring	1	
14	243L-007	Rotor	1	38	305-021	Exhaust Deflector	1	
15	243L-008D	Rotor Blade	6	39	00-4126	O-Ring	1	
16	00-3435	Pin	1	40	00-4127	O-Ring	2	
17	243L-006	Cylinder	1	41	305F-032	Washer	1	
	243F-033	Valve Sleeve Gasket	1		305J-025A	Air Inlet (1/4" PF)	1	
	243F-029	Valve Sleeve	1		42	305J-025B	Air Inlet (1/4" PT)	1
	00-2326	Ball Bearing	1		305J-025C	Air Inlet (1/4" NPT)	1	
18	00-3324	Spring Pin	1	43	305V-027	Muffler	1	
19	243F-041	Square Ring	1	44	305F-042	Muffler	1	
20	00-4158	O-Ring	1	45	248B-036	Handle Rubber	1	
21	305F-034B	Spring	1					