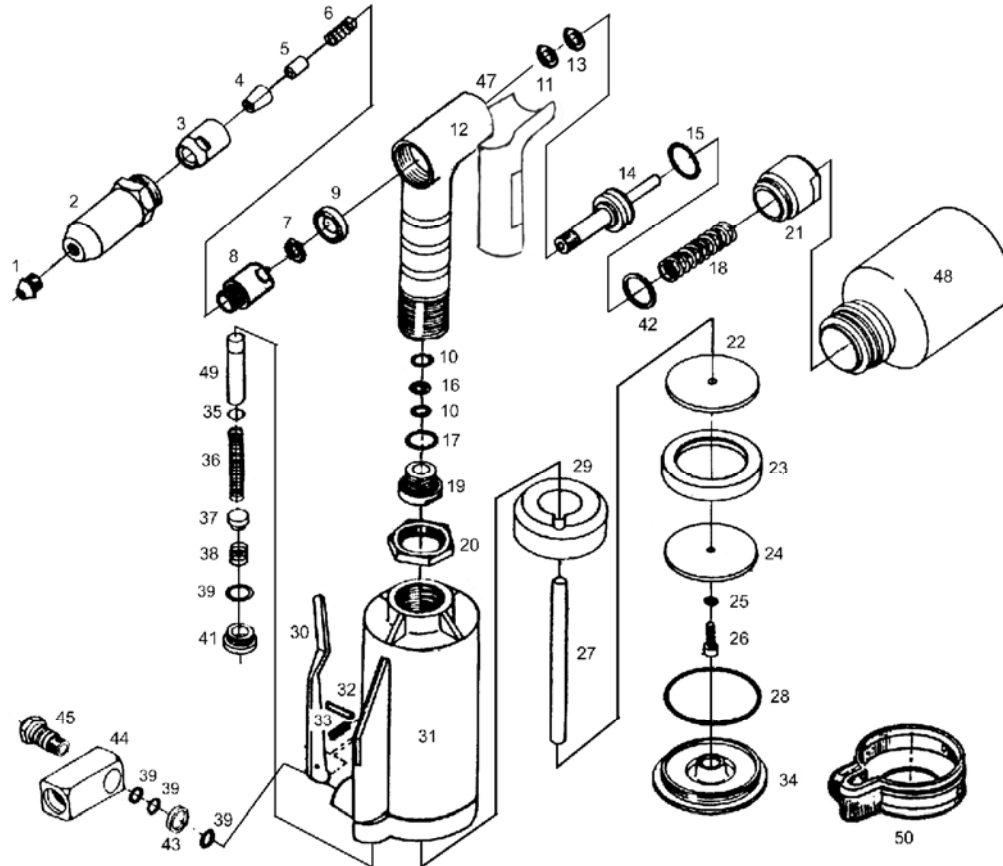


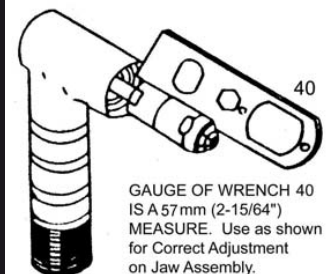
# RRI-4010 RIVETER



INDEX NO.	PART NO.	DESCRIPTION
1C	104163	4,8 mm Nosepiece
2	10415	Head
3	10409	Jaw Housing
4	10408	Jaws (3)
5	10407	Jaw Pusher
6*	10405	Spring
7	10404	Nut
8	10406	Jaw Housing Coupler
9	10456	Wiper Ring
10*	10554	O-Ring Seal (2)
11*	10558	O-Ring Washer
12	10455	Hydraulic Section
13*	10454	O-Ring Seal
14	104510	Hydraulic Plunger
15*	10450	O-Ring Seal
16*	10556	O-Ring Washer
17*	10420	O-Ring Seal
18*	10453	Hydraulic Return Spring
19	10457	Hydraulic Rod Guide
20	10421	Lock Nut
21	104100	Screw Plug
22	10423	Front Piston Head Disc
23*	10424	Piston Head Packing Ring
24	10425	Rear Piston Head Disc

INDEX NO.	PART NO.	DESCRIPTION
25	76527	Piston Head Spring Washer
26	10427	Piston Head Lock Screw
27	10422	Plunger Rod
28*	10431	O-Ring Seal
29	10430	Damping Ring
30	10438	Trigger Arm
31	10529	Air Cylinder Body
32	76050	Roll Pin
33*	10436	Spring
34	10435	Air Cylinder Cap
35*	20412	O-Ring Valve Tube
36*	10441	Valve Spring
37*	10442	Valve Plate
38*	10544	Valve Pressure Spring
39*	10548	O-Ring Seal ( P8 ) (4)
41	10550	Screw Plug
42*	10449	O-Ring Washer
43	10549	Sealing Washer
44	10546	1/4" Air Inlet Fitting (F)
45	10547	Air Inlet Plug
47	10551	Hand Grip
49	10439	Valve Tube
50	10570	Rubber cushion

9/2012A



#### ACCESSORIES :

Index	P/N	Description
1A.	104161	3,2 mm Nosepiece
1B.	104162	4,8 mm Nosepiece
40	10447	Wrench
48	10448	Plastic Bottle
	10459	Wrench (14mm)X2 (14S17)