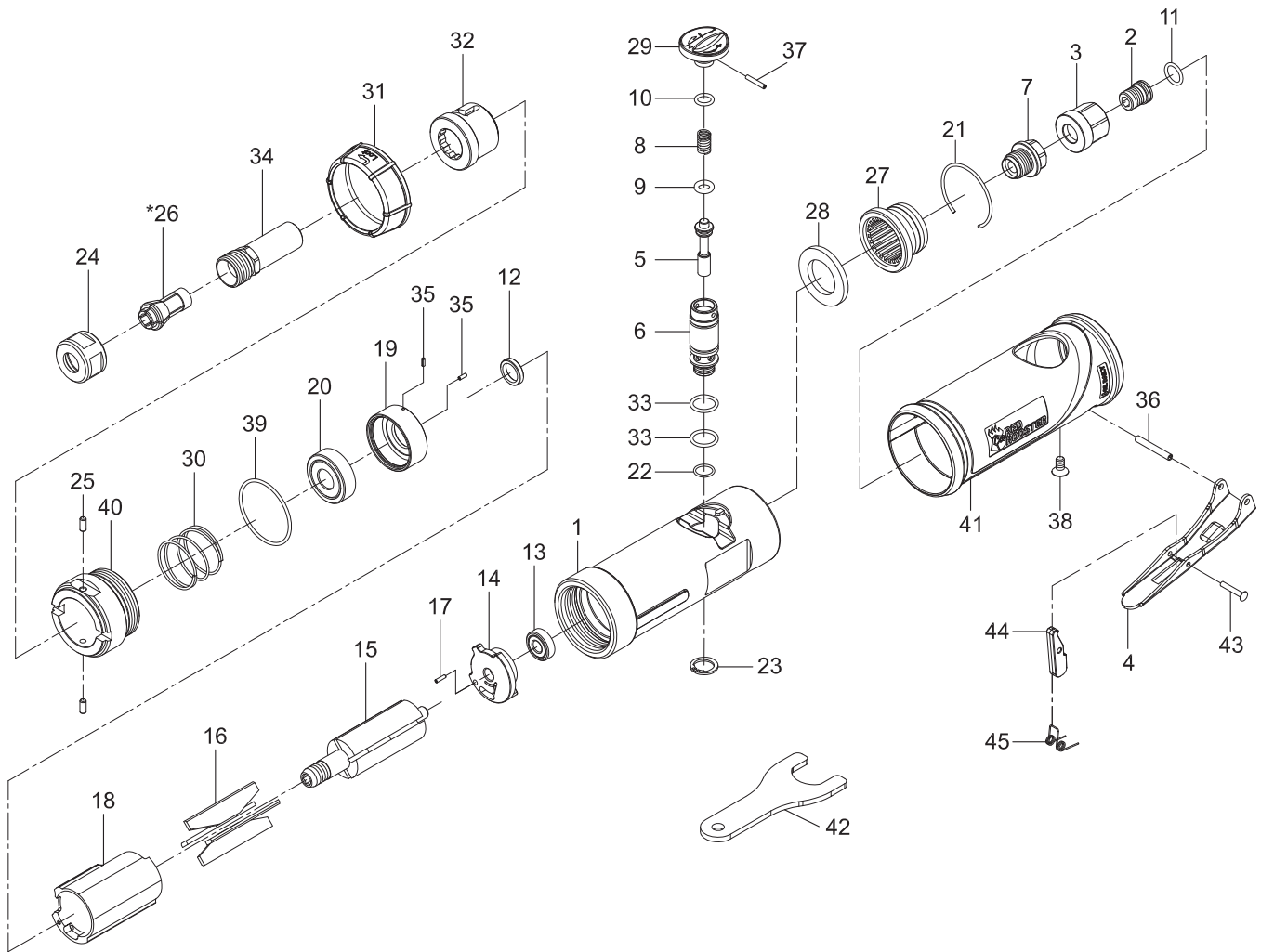


RRG-541RE DIE GRINDER



Index No.	Parts No.	Description	Index No.	Parts No.	Description	
1	538001	Housing		51224-11	Collet (1/4")	
2	51-3011A42	Screw		51224-12	Collet (1/8")	
3	51-3011A03	Air Inlet		*26	51224-13	Collet (6mm)
4	537004	Throttle Lever			51224-14	Collet (3mm)
5	538005	Valve Shaft			51224-28	Collet (8mm)
6	538006	Valve	27	538002	Exhaust Diffuser	
7	51-3011B41	Fixed Shaft	28	51250	Damping Material	
8	30108	Spring	29	51-3011B10	Air Regulator Knob	
9	72007	O-Ring (3.9x2.2)	30	538030	Spring	
10	72804	O-Ring (6.5x1.5)	31	538031	Front Cap	
11	OR00705105	O-Ring (7.5x1.5)	32	538032	Lock Seat	
12	51212	Rotor Spacer	33	OR01007105	O-Ring (2) (10.7x1.5)	
13	052213	Ball Bearing (696ZZ)	34	538034	Collet Holder	
14	301114	Rear End Plate	35	30117-22	Spring Pin (2) (1.5x4L)	
15	538015	Rotor	36	50102	Spring Pin (3x22L)	
16	535016	Vane (4)	37	SP02001200	Spring Pin (2x12L)	
17	30117	Spring Pin (1.5x6L)	38	5G-321V30	Screw (M4x8L)	
18	535018	Cylinder	39	OR03200105	O-Ring (32x1.5)	
19	512219	Front End Plate	40	538040	Clamp Nut	
20	051220	Ball Bearing (6000ZZ)	41	538052	Grip	
21	51229	Retaining Ring	42	535013	Spanner (19mm)	
22	OR00800100	O-Ring (8x1)	43	5G-360V06	Rivet	
23	709112R	Inverted Retaining Ring (ISTW-10)	44	537002	Locker	
24	51225	Collet Nut	45	5D-6415S07	Spring	
25	206024	Pin (2) (3x7L)				

*Optional Parts

5380-RAM