



INSTALLATION

LED FRONT TURN SIGNAL INSERTS

5441

PARTS INCLUDED

- 2 3-1/4" Front LED Replacement Lights — Smoke Lenses
- 1 Load Equalizer
- 1 Dielectric Grease
- 3 Wire Connectors—(Scotch Locks)
- 1 Installation Instructions

Please read and understand entire instructions before starting installation. This product is FMVSS #108 compliant.

THANK YOU FOR CHOOSING KÜRYAKYN!

IN ORDER TO PROTECT YOU AND OTHERS FROM POSSIBLE INJURY AND/OR PROPERTY DAMAGE OR LOSS, PLEASE PAY CLOSE ATTENTION TO ALL INSTRUCTIONS, WARNINGS, CAUTIONS AND ATTENTION NOTES REGARDING THE USE AND CARE OF THIS PRODUCT.

CAUTION! This indication alerts you to the fact that ignoring the contents described herein can result in potential injury or material damage.

TOOLS SUGGESTED

Phillips screwdriver, Test Light

STRICTLY OBSERVE THE FOLLOWING GUIDELINES IN ORDER TO USE THE PRODUCT PROPERLY AND AVOID POTENTIALLY DANGEROUS ACCIDENTS.

STEP 1 Read and understand all steps in the instructions before starting the installation. Park the motorcycle on a hard, level surface and turn off the ignition.

STEP 2 Remove the lenses from the stock turn signal fixtures. The screws will be re-used.

STEP 3 Remove the stock turn signal bulb from the fixtures by pushing the bulb slightly inward and turning counter clockwise.

CAUTION! LED circuit boards are polarity sensitive! Use a test light to check the polarity of the bike's wiring before connecting the LED circuit board. Kuryakyn is not responsible for damage to the LED circuit board caused by reversed polarity.

CAUTION! Use a test light to verify wire functions before connecting the LED circuit board to non-stock wiring. Kuryakyn is not responsible for damage to the LED circuit board caused by non-stock wiring

CUSTOMER SERVICE

877.370.3604 (toll free)

INSTALLATION QUESTIONS

techsupport@kuryakyn.com
or call 715.247.2983

LIMITED WARRANTY

Kuryakyn warrants that any Kuryakyn products sold hereunder, shall be free of defects in materials and workmanship for a period of one (1) year from the date of purchase by the consumer excepting the following provisions:

- Kuryakyn shall have no obligation in the event the customer is unable to provide a receipt showing the date the customer purchased the product(s).
 - The product must be properly installed, maintained and operated under normal conditions.
 - Kuryakyn makes no warranty, expressed or implied, with respect to any gold plated products.
 - Kuryakyn shall not be liable for any consequential and incidental damages, including labor and paint, resulting from failure of a Kuryakyn product, failure to deliver, delay in delivery, delivery in nonconforming condition, or for any breach of contract or duty between Kuryakyn and a customer.
- Kuryakyn products are often intended for use in specific applications. Kuryakyn makes no warranty if a Kuryakyn product is used in applications other than intended.
- Kuryakyn electrical products are warranted for one (1) year from the date of purchase by the consumer. L.E.D.'S contained in components of Kuryakyn products will be warranted for defects in materials and workmanship for 3 years from the date of purchase where as all other components shall be warranted for one(1) year. This includes, but is not limited to; control modules, wiring, chrome & other components.

• Kuryakyn makes no warranty of any kind in regard to other manufacturer's products distributed by Kuryakyn. Kuryakyn will pass on all warranties made by the manufacturer and where possible, will expedite the claim on behalf of the customer, but ultimately, responsibility for disposition of the warranty claim lies with the manufacturer.

ABOUT OUR CATALOG

For purchasing Kuryakyn® products, you can receive a complete catalog free of charge. Send the Proof-of-Purchase below with your address to: Kuryakyn, P.O. Box 339, Somerset, WI 54025. Please indicate either Accessories Catalog for Harley-Davidson® or GL & Metric Cruisers.

Be sure to ask your local dealer about other Kuryakyn® products, the motorcycle parts and accessories designed for riders by riders.

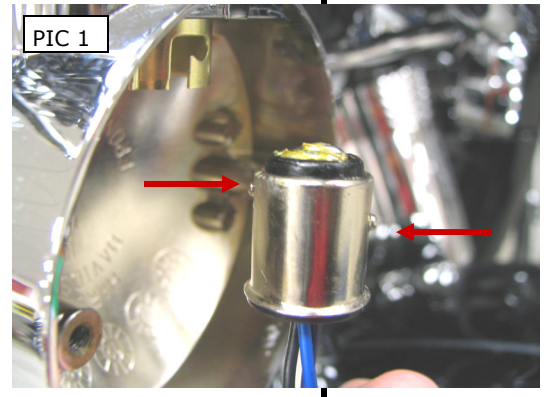
©2005 Kuryakyn USA® All Rights reserved.



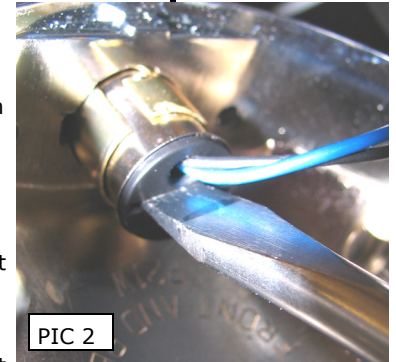
kuryakyn.com

ATTENTION! Kuryakyn recommends the use of dielectric grease on electrical connections.

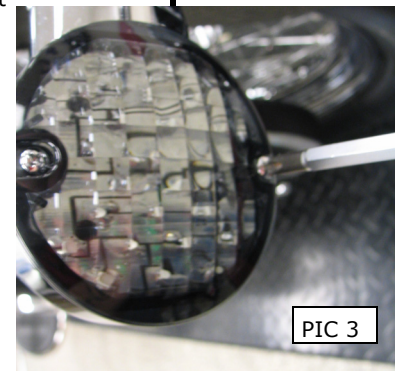
STEP 3 As shown in PIC 1, install the new turn signal conversion. Notice the position of the pins on the connector and install as shown in PIC 1.



STEP 4 Install the LED light connector in the same manner the stock bulb was removed. Using a screwdriver in the slot on the connector may ease installation PIC 2. Apply dielectric grease and push it in gently and turn clockwise.



STEP 5 Attach the LED Lenses to the light fixtures using the stock screws. PIC 3 Tighten the screws to snug — do not over tighten.



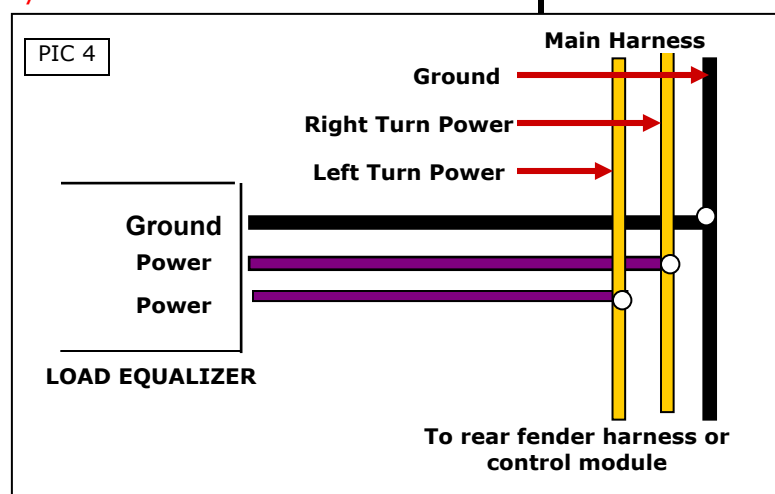
STEP 6 Start the bike and check for normal operation. If the turn signals light but do not flash, flash normally several times then flash rapidly, or if the security system warning light remains lit, the included load equalizer will need to be installed. This can be accomplished several ways:

- If the bike is equipped with a Kuryakyn Panacea Taillight System or Kuryakyn Run-Turn-Brake Controller, simply plug the load equalizer into an unused connector on the module. If there aren't any unused connectors on the module, cut off the connector of the included load equalizer and using the included Scotch Locks, splice the wires to the like-colored wires on the load equalizer already in place.
- If the bike is not equipped with a Kuryakyn controller of any sort, locate the left and right turn power wires and a ground wire on the bike's wiring harness using a test light or wiring schematic for your model, typically easiest access is beneath the seat or behind a side cover. Cut off the connector of the included load equalizer and using the included Scotch Locks, connect one violet wire from the load equalizer to the bikes' right turn power wire and the other violet wire from the load equalizer to the bike's left turn power wire. Connect the black wire from the load equalizer to the ground wire. PIC 4
- If the bike is not equipped with a Kuryakyn Panacea Taillight System or Kuryakyn Run-Turn-Brake Controller and you do not wish to splice into bike's wiring, Kuryakyn offers a plug-in Load Equalizer Adapter (P/N 4837, sold separately) that fits most '96-later H-D models. This adapter plugs into the stock wiring harness under the seat and provides connectors that will accept the included load equalizer.

CAUTION! Always install the load equalizer upstream of any existing aftermarket multifunction control modules. Do not install a load equalizer between a module and the turn signals as this will overload the module. Overloading will damage the module and may create a fire hazard!

CAUTION! Load equalizers generate heat when in use. Avoid using the turn signals for an extended period of time, otherwise the load equalizer will overheat. Never operate the four-way flashers unless you first remove the load equalizer. Overheating damages the load equalizer causing loss of turn signal operation and could create a fire hazard!

CAUTION! Do not secure the load equalizer to the control module! Excess heat from the load equalizer could damage the control module.



Ride On!