

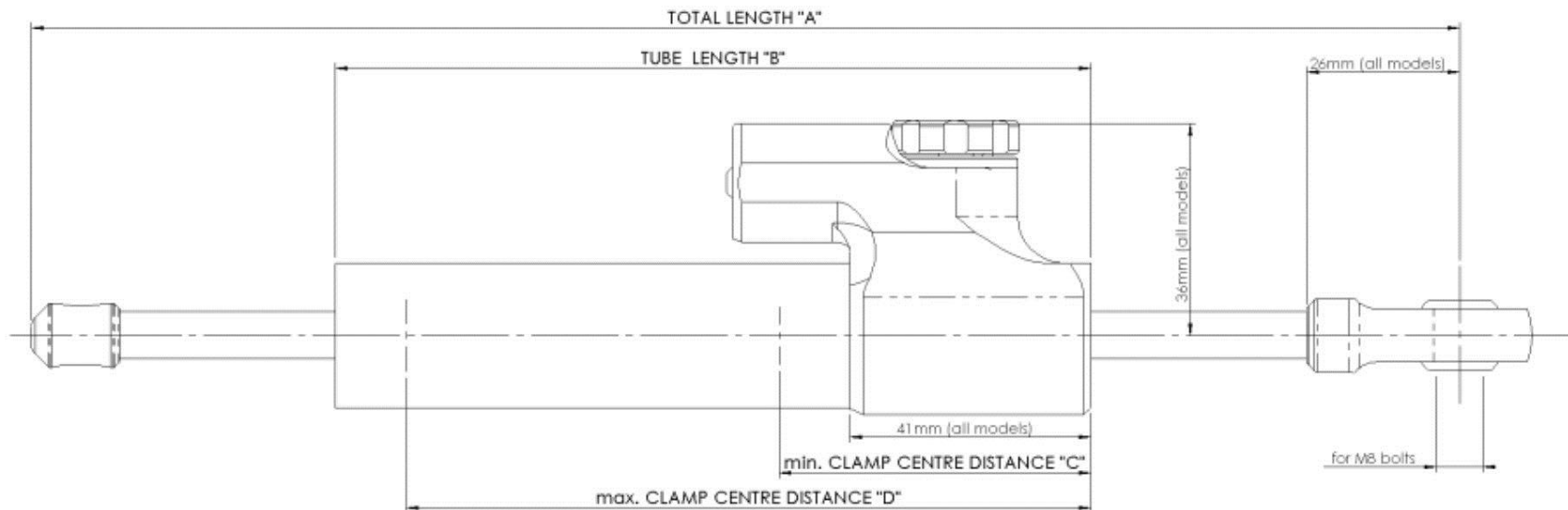
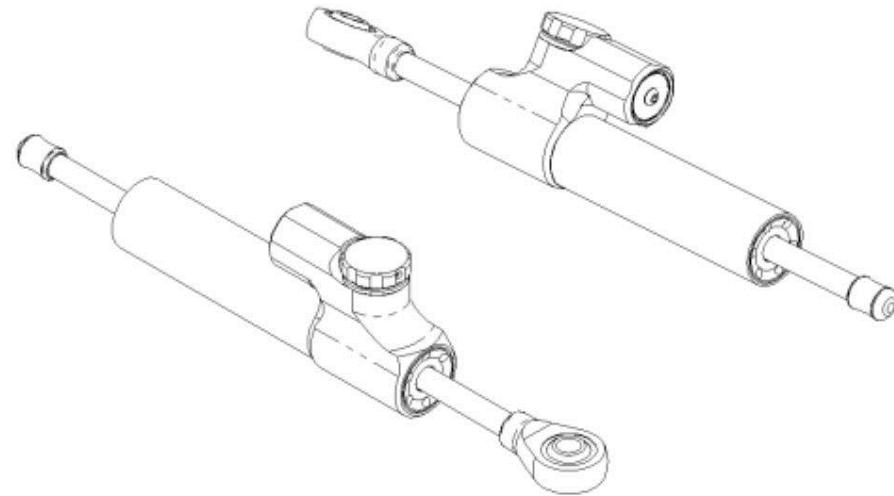
# HYPERPRO

## STEERING DAMPER DIMENSIONS for Hyperpro Models CSC & RSC

### DIMENSIONS in [mm]

	A	B	C	D
Stroke 75	243	128.5	53	116.5
Stroke 120	333	173.5	53	151.5
Stroke 140	373	193.5	53	171.5
Stroke 160	413	213.5	53	191.5

ALL IDEAS, DESIGNS, ARRANGEMENTS AND PLANS INDICATED OR REPRESENTED BY THIS DRAWING ARE OWNED BY HYPERPRO AND WERE CREATED, EVOLVED AND DEVELOPED FOR USE ON AND IN CONNECTION WITH THE SPECIFIC PROJECT. NONE SUCH IDEAS, DESIGNS, ARRANGEMENTS OR PLANS SHALL BE USED BY OR DISCLOSED TO ANY PERSON, FIRM OR CORPORATION FOR ANY PURPOSE WHATSOEVER WITHOUT THE WRITTEN PERMISSION OF HYPERPRO.



See [WWW.HYPERPRO.COM](http://WWW.HYPERPRO.COM) for the latest information on steering dampers and mounting kits