



Custom Dynamics® LED Tri-Bar Fender Tip Installation Instructions

We thank you for purchasing the Custom Dynamics® LED Tri-Bar Fender Tip! Our products utilize the latest technology and high quality components to ensure you the most reliable service. We offer one of the best warranty programs in the industry and we back our products with excellent customer support, if you have questions before or during installation of this product please call Custom Dynamics® at 1(800) 382-1388.

Part Number: GEN2-TRI-2

Package Contents:

- Tri-Bar Light Assembly (1)
- Smart Triple Play (1)
- 4" Black Tie Wrap (10)

Fits: 2010-2013 US Model Harley-Davidson® Street Glide® and Road Glide® Custom with required **6 Pin SMART Signal Stabilizer™** installed



Proper orientation of the harness connectors is important, make sure you have input coming from the bike and output going to the turn signals. Check for the notch cut outs in the connectors to ensure proper alignment before plugging in.

Tri-Bar Installation

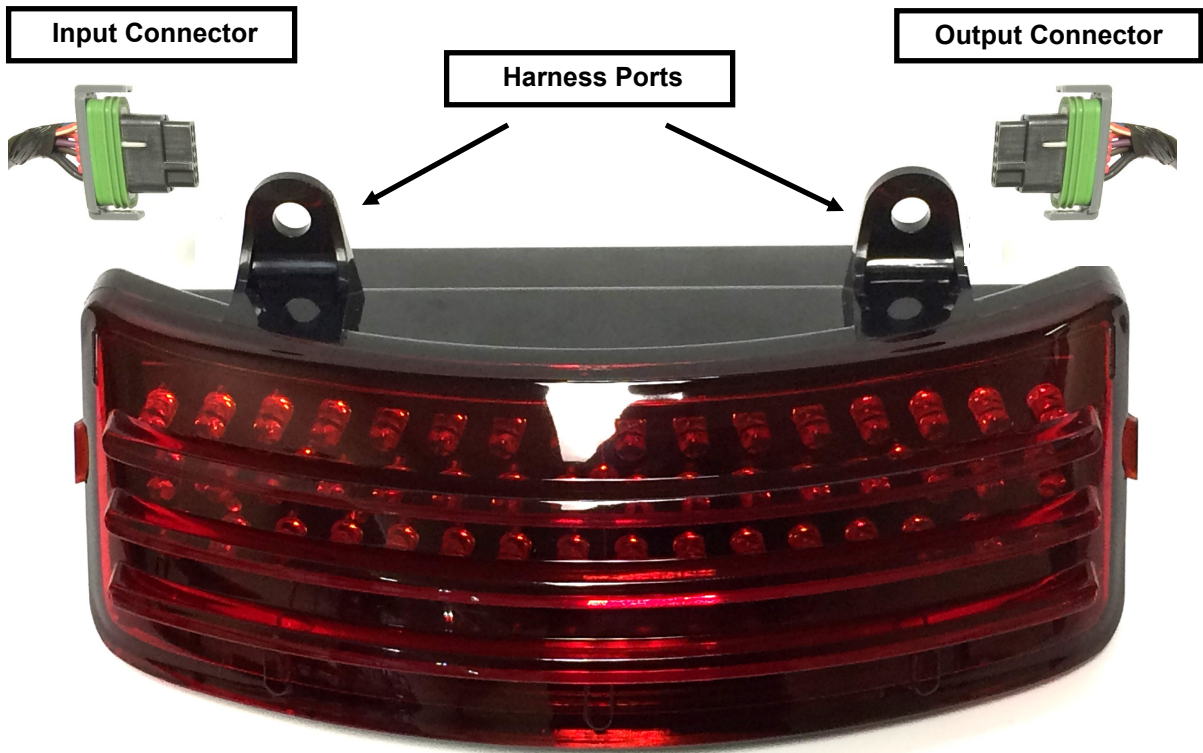
1. Remove the hard saddlebags from the bike to allow access to the underside of the fender.
2. Remove the black cover on the back side of the tri-bar light and discard. Once removed, locate the clip just above the tri-bar that holds the wire harness in place. Remove the 7/16 nut then remove the clip from the harness. This allows easy removal of the wires from the tri-bar. Keep clip and nut handy for re-installation later.
3. Unplug the connectors from both sides of the tri-bar.
4. Remove the 2 Torx T25 screws that hold the stock tri-bar assembly in place. Remove the screws and save for installing the new unit.
6. Slowly pull the tri-bar away from the fender, making sure that the wiring and connectors are free as well. Once removed, discard.
7. Install the LED tri-bar into the fender, make sure everything is aligned, then fasten down with the T25 Torx screws saved from the old unit.
8. Plug the harness connectors into the new Tri-Bar, noting the rectangular ports on the back side to the unit. Left side should be going to the bike, the right side is the output to the turn signals. Make sure that the connector orientation is correct going into the ports, they are keyed one way, if the connector does not want to snap in, flip it around and try it again. Do not force the connector into the port.
9. Re-install the Clip to the bike's wiring harness, then re-attach the clip to the fender with the 7/16" nut.
10. Install the SS6 Smart Triple Play. (See Specific instructions and features for module on page 3) If you are using these products with regular incandescent bulbs, You will also need to install a Signal Stabilizer or equivalent load equalizer, contact us if you do not have one. If you are already using Custom Dynamics® LED turn signals you may already have our Signal Stabilizer™ Installed.
11. Once all products are installed, turn bike on and test function of the Smart TPU. It is recommended you set the brightness of the turn signals in program mode (see page 4) before testing all functions. Once programming is completed, test the LED tri-bar light in running and brake modes. Also check function of the turn signals to make sure Smart TPU is functioning properly.

Questions? Call us at: 1 (800) 382-1388 M-TH 8:30AM-5:30PM / FR 9:30AM-5:30PM EST

LED Tri-Bar Diagram

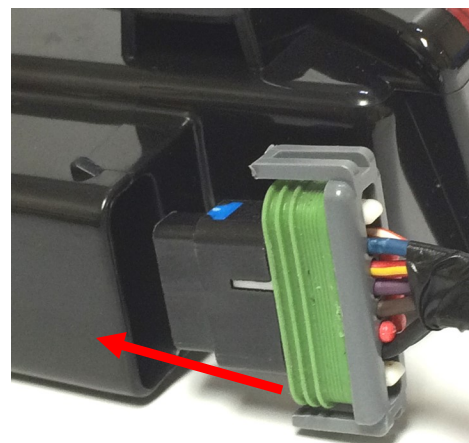
Input Harness
(Left Side) From Bike

Output Harness
(Right Side) To Turn Signals



Plug the harness connectors into the new Tri-Bar, noting the rectangular ports on the back side to the unit. Left side should be going to the bike, the right side is the output to the turn signals. Make sure that the connector orientation is correct going into the ports, they are keyed one way, if the connector does not want to snap in, flip it around and try it again.

Note: The connector should not be forced into the port. Doing so can cause bending of the internal pins which is not covered under warranty.



Harness Port—Input Connector



Smart Triple Play® (US Patent 8,588,997) Installation Instructions– page 3

Run Brake Turn Controller with Built-in Strobe Flash

Module P/N: GEN-SMART-TPU-TRI

This Module is for 2010-2013 Street Glides with Stock rear fender when converting to our LED Tri-bar only.

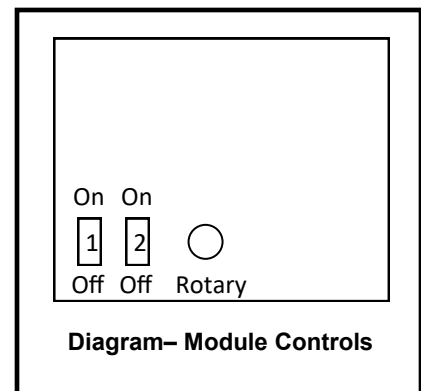
Please Note: The Smart Triple Play® provided in this kit will require the use of a Signal Stabilizer module even when used with stock incandescent bulb turn signals.

Module Installation

1. Secure motorcycle on level surface. Remove the kickstand side panel. Disconnect negative battery cable from the battery. Locate and unplug the lighting connector to the rear fender.
2. Plug the Smart Triple Play® Module, in-line, into the rear lighting harness and into the bike's wiring harness. Secure Module.
3. Re-connect the battery's negative battery cable to the negative of the battery.
4. Locate a secure place for the Smart Triple Play® unit that will not interfere with anything else inside the panel. Secure the module to ensure no damage to it or the bike.

Initial Setup and Operation

5. Locate the two switches and rotary dial. Be sure the rotary dial is set to position 0. Note there is a screw driver slot to make the dial turn easier, this is not the pointer, there is small arrow on the dial, this is the pointer that should now be at position 0. Be sure Switch 1 and Switch 2 are both in the ON position. (See diagram below)
6. Turn the ignition key on and check operation as follows:
 - Running Lights: Turn signals and Taillights are now illuminated dimly.
 - Apply right turn signal and check operation of right turn signal, it should flash off to bright. Disable turn. Apply Left turn signal, it should flash off to bright. Disable turn.
 - Apply Brake Light. Check to see that all 3 lights flash 4 times then remain bright.
 - Apply Left Turn Signal then apply Brake at the same time. Check to see that only Tri-Bar light flashes 4 times then remains bright.



Questions? Call us at: 1 (800) 382-1388 M-TH 8:30AM-5:30PM / FR 9:30AM-5:30PM EST



Smart Triple Play® (US Patent 8,588,997) Installation Instructions– page 4

Run Brake Turn Controller with Built-in Strobe Flash

Program Mode

7. The Smart Triple Play® allows you to program the running light brightness of the turn signals so they are a match to your new LED Tri-Bar Fender tip light. To Enter Program Mode:
 - Turn ignition key off, be sure Switch 1 and Switch 2 are in the OFF position and the Rotary Dial in in the 0 position.
 - Turn ignition key on, immediately turn Switch 2 ON-OFF-ON. Turn Switch 1 ON-OFF-ON. Do not depress brake or turn signals during this action.
 - The turn signals should now fade up and down slowly, do not proceed unless this confirmation takes place, retry if you do not get the fade confirmation.
 - Turn the rotary dial clockwise, increasing numbers, to increase the brightness of the running lights. Once happy with the setting, press and hold the brake for a couple of seconds. The setting will now be saved.
8. Turn ignition key Off and set switches for desired Operation.

Program Menu

Switch Functions:

- Switch 1 On, Switch 2 On: Strobes/Flashes on all three rear lights
- Switch 1 On, Switch 2 Off: Strobes/Flashes on rear turn signals only
- Switch 1 Off, Switch 2 On: Strobes/Flashes on center light only
- Switch 1 Off, Switch 2 Off: No Strobes/Flashes

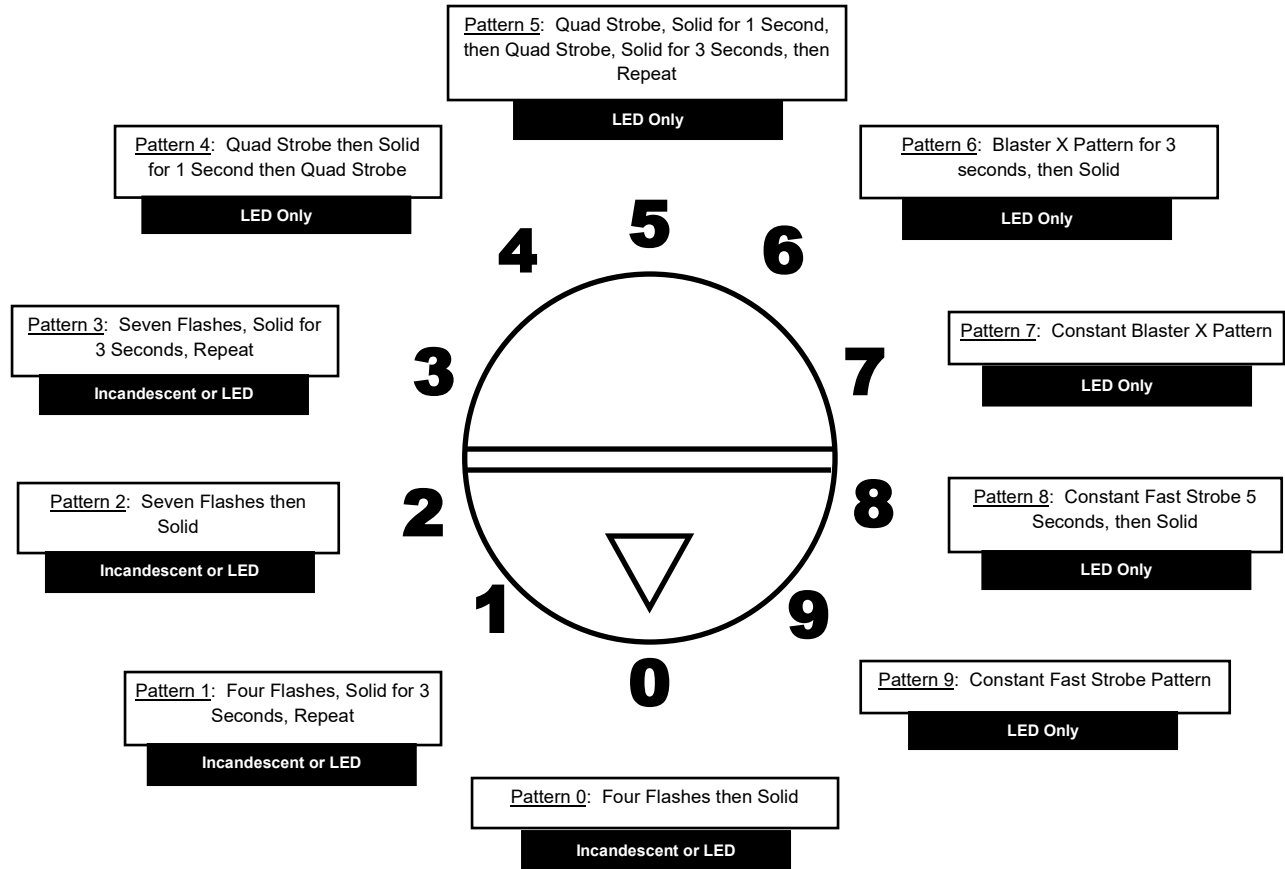
Dial Strobe Functions: (Note that patterns 0-3 are compatible with incandescent bulbs) See Diagram next page.

Test & Finish

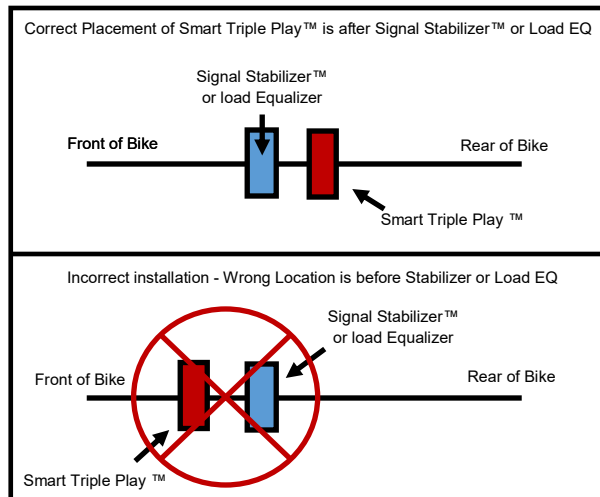
9. Turn ignition key on and test operation based on your desired switch settings.
10. Once finished, re-install the side Panel.

Installation Instructions - Page 5

Flash Pattern Information



Module Placement



Questions? Call us at: 1 (800) 382-1388 M-TH 8:30AM-5:30PM / FR 9:30AM-5:30PM EST