

Instruction 106-5893
04-05-16

Version 3

Copyright © 2009, 2013, 2016
by S&S® Cycle, Inc.

All rights reserved.
Printed in the U.S.A.

S&S® Cycle, Inc.

14025 Cty Hwy G PO Box 215
Viola, Wisconsin 54664
Phone: 608-627-1497 • Fax: 608-627-1488
Technical Service Phone: 608-627-TECH (8324)
Technical Service Email: sstech@sscycle.com
Website: www.sscycle.com



Installation Instructions: S&S® Standard and Easy Start Gear Drive Cams for 1999-'06 Harley-Davidson® Big Twins Except 2006 Dyna® models

DISCLAIMER:

Many S&S parts are designed for high performance, closed course, racing applications and are intended for the very experienced rider only. The installation of S&S parts may void or adversely affect your factory warranty. In addition such installation and use may violate certain federal, state, and local laws, rules and ordinances as well as other laws when used on motor vehicles used on public highways. Always check federal, state, and local laws before modifying your motorcycle. It is the sole and exclusive responsibility of the user to determine the suitability of the product for his or her use, and the user shall assume all legal, personal injury risk and liability and all other obligations, duties, and risks associated therewith.

NOT LEGAL FOR SALE OR USE IN CALIFORNIA ON ANY POLLUTION CONTROLLED MOTOR VEHICLES

SAFE INSTALLATION AND OPERATION RULES:

Before installing your new S&S part it is your responsibility to read and follow the installation and maintenance procedures in these instructions and follow the basic rules below for your personal safety.

- Gasoline is extremely flammable and explosive under certain conditions and toxic when breathed. Do not smoke. Perform installation in a well ventilated area away from open flames or sparks.
- If motorcycle has been running, wait until engine and exhaust pipes have cooled down to avoid getting burned before performing any installation steps.
- Before performing any installation steps disconnect battery to eliminate potential sparks and inadvertent engagement of starter while working on electrical components.
- Read instructions thoroughly and carefully so all procedures are completely understood before performing any installation steps. Contact S&S with any questions you may have if any steps are unclear or any abnormalities occur during installation or operation of motorcycle with a S&S part on it.
- Consult an appropriate service manual for your motorcycle for correct disassembly and reassembly procedures for any parts that need to be removed to facilitate installation.
- Use good judgment when performing installation and operating motorcycle. Good judgment begins with a clear head. Don't let alcohol, drugs or fatigue impair your judgment. Start installation when you are fresh.
- Be sure all federal, state and local laws are obeyed with the installation.
- For optimum performance and safety and to minimize potential damage to carb or other components, use all mounting hardware that is provided and follow all installation instructions.
- Motorcycle exhaust fumes are toxic and poisonous and must not be breathed. Run motorcycle in a well ventilated area where fumes can dissipate.

IMPORTANT NOTICE:

Statements in this instruction sheet preceded by the following words are of special significance.



WARNING

Means there is the possibility of injury to yourself or others.



CAUTION

Means there is the possibility of damage to the part or motorcycle.

NOTE

Other information of particular importance has been placed in italic type.

S&S recommends you take special notice of these items.

WARRANTY:

All S&S parts are guaranteed to the original purchaser to be free of manufacturing defects in materials and workmanship for a period of twelve (12) months from the date of purchase. Merchandise that fails to conform to these conditions will be repaired or replaced at S&S's option if the parts are returned to us by the purchaser within the 12 month warranty period or within 10 days thereafter.

In the event warranty service is required, the original purchaser must call or write S&S immediately with the problem. Some problems can be rectified by a telephone call and need no further course of action.

A part that is suspect of being defective must not be replaced by a Dealer without prior authorization from S&S. If it is deemed necessary for S&S to make an evaluation to determine whether the part was defective, a return authorization number must be obtained from S&S. The parts must be packaged properly so as to not cause further damage and be returned prepaid to S&S with a copy of the original invoice of purchase and a detailed letter outlining the nature of the problem, how the part was used and the circumstances at the time of failure. If after an evaluation has been made by S&S and the part was found to be defective, repair, replacement or refund will be granted.

ADDITIONAL WARRANTY PROVISIONS:

- (1) S&S shall have no obligation in the event an S&S part is modified by any other person or organization.
- (2) S&S shall have no obligation if an S&S part becomes defective in whole or in part as a result of improper installation, improper maintenance, improper use, abnormal operation, or any other misuse or mistreatment of the S&S part.
- (3) S&S shall not be liable for any consequential or incidental damages resulting from the failure of an S&S part, the breach of any warranties, the failure to deliver, delay in delivery, delivery in non-conforming condition, or for any other breach of contract or duty between S&S and a customer.

SPECIFICATIONS FOR S&S® GEAR DRIVE CAMSHAFTS FOR HARLEY-DAVIDSON® TWIN CAM 88® ENGINES

Cam Name	Lobe	Timing		Duration	Lift	Centerline	TDC Lift	99-04 Models Works with stock valve springs	05-'06 Models Works with stock valve springs	Works with stock pushrods
		Open	Close							
475G	Int	2°	34°	216°	0.475"	106°	.060"	X	X	X
	Exh	36°	4°	220°		106°	.060"			
509G	Int	18°	18°	216°	0.509"	90°	.0174"	X	X	X
	Exh	46°	11°	237°		107.5°	0.140"			
510G (e*)	Int	20°	38°	238°	0.510"	99°	0.187"	X	X	X
	Exh	52°	20°	252°		106°	0.179"			
551G (e*)	Int	17°	19°	216°	0.550"	91°	0.178"		X	
	Exh	41°	17°	238°		102°	0.170"			
570G (e*)	Int	20°	40°	240°	0.570"	100°	0.187"		X	
	Exh	55°	20°	255°		107.5°	0.179"			
583G (e*)	Int	5°	18°	203°	0.583"	96.5°	0.113"		X	
	Exh	58°	24°	262°		107°	0.206"			
585G (e*)	Int	20°	45°	245°	0.585"	102.5°	0.186"		X	
	Exh	60°	20°	260°		110°	0.179"			
625G (e*)	Int	20°	55°	255°	0.625"	107.5°	0.189"			
	Exh	60°	20°	260°		110°	0.184"			
640G (e*)	Int	25°	60°	265°	0.640"	107.5°	0.228"			
	Exh	65°	25°	270°		110°	0.214"			
675G (e*)	Int	25°	60°	269°	0.675"	109.5°	0.235"			
	Exh	74°	25°	275°		112.5°	0.205"			

*Easy Start Camshafts

INTRODUCTION

Important Note: Pinion shaft run out must be verified before installing gear drive camshafts. (.003" max)

OVERVIEW OF EASY START CAMSHAFTS (IF EQUIPPED):

S&S® has developed Easy Start cams to assist starting with a built in centrifugal compression release. The operation is simple: at cranking speeds, a spring loaded decompression lever opens the exhaust valve slightly, reducing cranking compression. Once the engine fires and exceeds 750 RPM, centrifugal force retracts the lever, allowing the engine to run normally with full compression. The various grinds of S&S Easy Start cams are designed to be used with a specific range of displacement and compression ratio. Some EFI engines may not start if the compression is too low.

Cam	Intended Displacement	Intended Compression Ratio
551	88-106	9.0-10.0
570	88-106	9.0-10.0
583	88-106	9.0-10.0
585	88-106	9.2-10.5
625	95+	10.0-10.75
640	95+	10.5-11.5
675	120+	11+

Important Notes Regarding Easy Start Camshafts:

- Stock EFI engines require a minimum of 80 PSI cranking compression, checked with the throttle open, for the ECU to fire the spark plugs.
- S&S easy start cams were designed to work with specific compression ratio and displacement combinations. If an Easy Start cam set is used in an application other than what it was designed for occasionally an engine may not build the required compression to start the bike.
- Cranking compression numbers are no longer a valid health check of the engine. We recommend performing a leak down test.
- If the lifters have been disassembled or bled down for any purpose, the starter may have difficulty with the initial start. Although the decompression lobe lifts the lifter body, the lifter is not pumped up and it will not lift the exhaust valve. You may need to remove the spark plugs and crank the engine to get oil pressure to the lifters.
- Easy Start cams require no special service. If they are ever removed for any reason however, inspect the mechanism for wear and verify that the lever operates smoothly.
- If your bike is carbureted, the starting routine may be slightly different, allow yourself time to experiment to find the best method.
- When the engine is turned off, you may hear a slight click as the decompression lever resets. This is normal and does no harm.
- If engine speed drops below 900 RPM, you may hear clicking as the decompression lever starts engaging. Idle speed should be adjusted higher. The engine idle should be set at 1000-1100 RPM.

COMPATIBILITY NOTES:

- Pinion shaft run out must be verified before installing gear drive camshafts. (.003" max)
- S&S® Gear Drive is not compatible with camshafts designed for the stock chain cam drive. S&S Gear Drive must be used with S&S gear drive camshafts.
- Except for the 475G, 509G, and 510G, the S&S® gear driven camshaft kits are not compatible with stock pushrods or valve springs. S&S adjustable pushrod kit 93-5095 is recommended for engines with stock length cylinders. Longer pushrods are available for engines with longer than stock cylinders. See the S&S catalog for pushrods and valve springs.
- S&S Camshaft Installation Kit 106-5896 is strongly recommended when installing S&S gear drive cams. The kit includes gaskets and bearings required for installation. It also includes the scavenge side oil pump o-ring.

CAUTION

1999-'04 stock valve springs will accommodate cam shafts with up to .510" lift. This includes S&S 475, 509 and 510 cams. 2005 and later stock valve springs can accommodate camshafts with up to .585" lift. If cams are installed that exceed the lift capacity of the stock valve springs, a set of high performance valve springs must be installed that can handle the additional lift. Stock 2005 and later springs are good to S&S lifts.

- When using S&S gear drive camshafts with stock Harley-Davidson® pistons, valve-to-piston clearance may need to be checked. Clearance should be at least .060" intake and .080" exhaust.
- If stock Harley-Davidson® heads are decked, valve to piston clearance must be checked. If insufficient clearance is found, valve pockets must be modified. Clearance should be a minimum of .060".
- When using S&S pistons with S&S heads which are unmodified or have been decked no more than .062", no additional valve to piston clearancing will be required.

Special Tools Required

- Magnetic Tappet tool or clip
- Sprocket locking tool H-D® #42314
- Cam chain tensioner unloader H-D® #42313
- Camshaft remover/installer H-D® #43644
- Needle bearing remover/installer H-D® #42325
- Dial indicator and flex arm

Disassembly

NOTES:

- Installation procedure is different than in previous engines. Procedure requires use of a hydraulic press and some special tools. Installation should be done by an experienced mechanic with access to a factory service manual and all required tools.
- Tighten all fasteners to correct specifications and in order described. Always use an accurate torque wrench.

CAUTION

Incorrect installation can cause engine damage not covered under warranty.

WARNING

Failure to install components correctly can result in sudden engine seizure. Engine seizure may result in serious injury to motorcycle operator, passenger, or others.

1. Disconnect battery ground cable to eliminate potential sparks and inadvertent engagement of starter while working on motorcycle.
2. Remove spark plugs and pushrod cover clips. Collapse pushrod covers to expose pushrods.
3. Safely elevate and stabilize rear of motorcycle. Place transmission in high gear. Turn rear wheel to rotate engine until both lifters and pushrods for either cylinder are at lowest point on camshaft (TDC of compression stroke). Both intake and exhaust pushrods for that cylinder will not be under pressure from the valve springs and will rotate with light finger pressure.

NOTE: S&S 475, 509G, and 510G camshafts may be installed with stock style non-adjustable pushrods instead of adjustable pushrods. If installing non-adjustable pushrods, disassemble and assemble rocker box per Harley-Davidson® instructions. All other S&S® gear drive cams require adjustable pushrods. As a time-saving measure, the stock pushrods can be removed with bolt cutters. Be sure to heed cautions and warnings in these instructions.

4. If the stock pushrods are to be reused, follow the procedure in the Harley-Davidson® service manual for pushrod removal. If stock pushrods will not be reused, they may be cut out of the engine to save time. Cut pushrods for cylinder that is at TDC with bolt cutter and remove pushrods and pushrod covers from engine. Rotate engine to place pushrods for other cylinder at their lowest point. Cut and remove remaining pushrods.

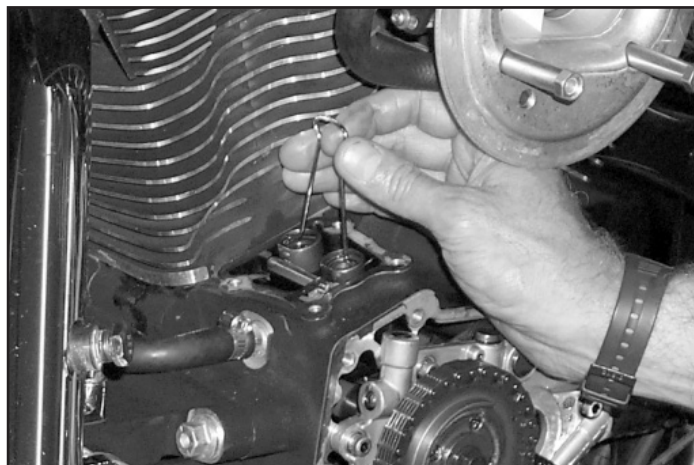
CAUTION

Cutting pushrods with a saw or cutoff wheel may result in debris entering engine, causing extensive engine damage not covered under warranty.

WARNING

Cutting pushrods when they are under spring pressure can result in pushrod parts being ejected with considerable force, and can cause bodily injury.

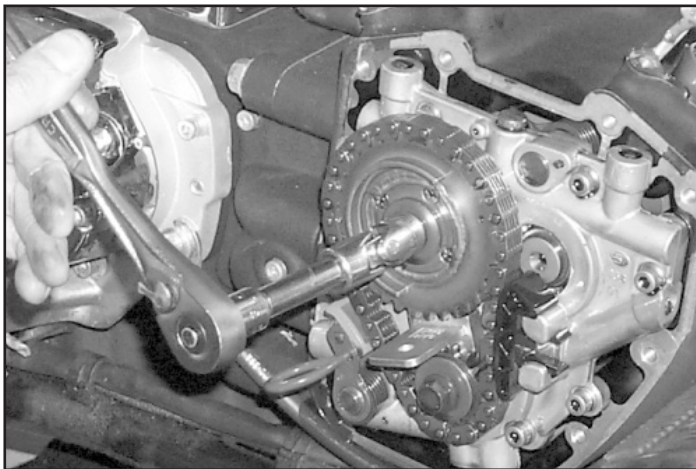
5. Remove lifter covers from crankcase. Lifter covers do not have to be removed if stock non-adjustable pushrods or S&S Quicke pushrods are to be installed.
6. Remove engine cam cover and gasket. It is not necessary to remove ignition sensor from cover. Secure lifters with a magnetic tappet tool or a tool made from a large binder clip. **See Picture 1 .**



Picture 1

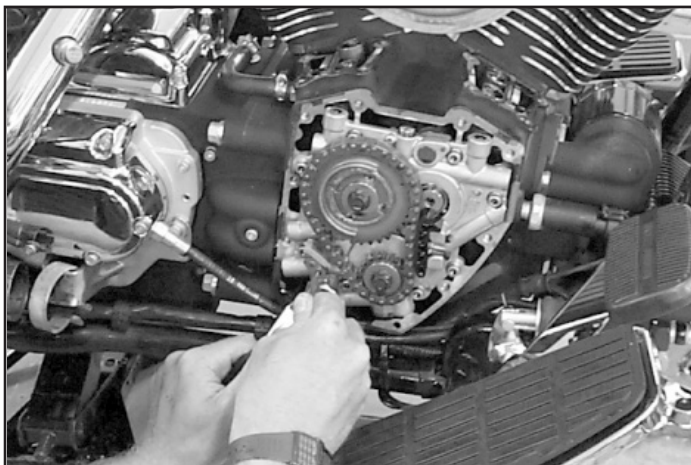
Cam Support Plate and Cam Removal

1. Install Harley-Davidson® sprocket locking tool H-D® #42314 to secure sprockets and remove bolts and washers from cam drive sprocket and crankshaft sprocket. See **Picture 2**.



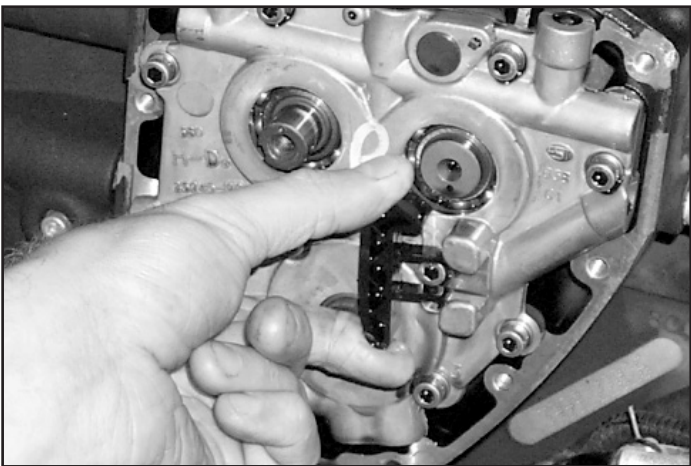
Picture 2

2. Use Harley-Davidson® cam chain tensioner unloader H-D® #42313 to move tensioner away from primary cam chain. Secure tensioner with retention pin. See **Picture 3**.



Picture 3

3. Working gradually around edge of each sprocket, carefully pry sprockets loose. Remove sprocket and chain assembly.



Picture 4

4. Remove chain guide. See **Picture 4**.
5. Following sequence shown in **Figure 1**, alternately loosen and remove oil pump bolts.

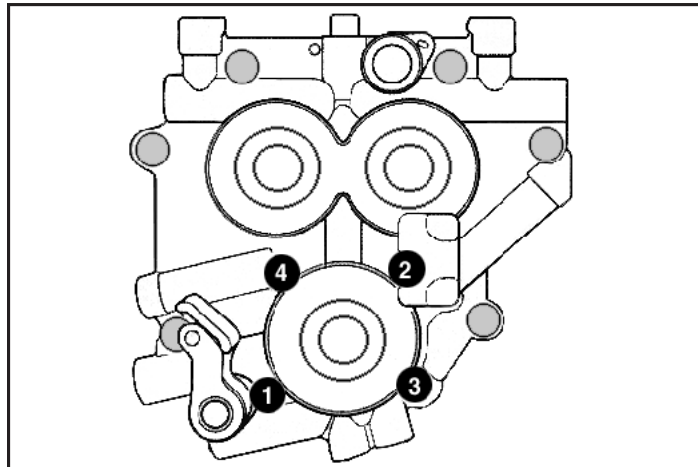


Figure 1

6. Following sequence shown in **Figure 2**, alternately loosen and remove cam support plate bolts.

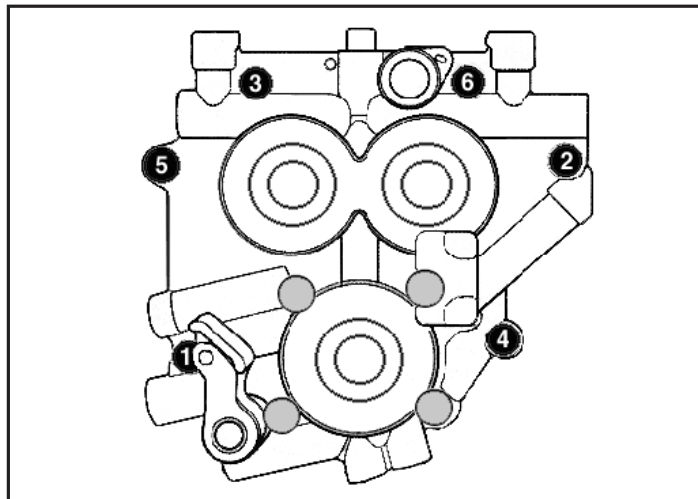


Figure 2



Failure to remove and install bolts according to correct procedure may result in parts damage not covered under warranty.

7. Carefully remove cam support plate assembly from case.
8. Check pinion shaft runout. Place an indicator on the end of pinion shaft at cam support plate bushing surface and rotate engine; reading must be .003" or less total indicated runout (TIR). If reading is greater than .003" TIR the crankshaft must be repaired or replaced to correct excess runout before installing gear drive cams.



Check pinion shaft runout before installing gear drive cams. Indicate end of pinion shaft at cam support plate bushing surface and rotate engine; reading must be .003" or less total indicated runout (TIR). If reading is greater than .003" TIR the crankshaft must be repaired or replaced to correct excess runout before installing gear drive cams. Failure to correct excess runout may lead to engine damage not covered under S&S warranty.

9. Use Harley-Davidson® cam chain tensioner unloader H-D® #42313 to move tensioner away from secondary cam chain. Secure tensioner by inserting second retention pin through front of support plate.
10. Remove bearing retainer screws and bearing retainer from cam support plate.
11. With cam support plate positioned securely in a hydraulic press, use Harley-Davidson® camshaft remover/installer H-D® #43644 to press both camshafts and bearings from support plate simultaneously.

NOTES:

- Cam bearings may have a loose fit in cam support plate. Camshaft and bearing assemblies may drop out when beginning pressing procedure. Camshafts with roller style bearings will be loose and drop out of support plate.
- The S&S® Gear Drive Cams require that ball bearings be used for both front and rear outer camshaft bearings to ensure consistent center to center distance between the gears. Since the gear drive does not exert a large side load on the rear camshaft, the higher load handling capacity of the stock roller style bearing is not required.

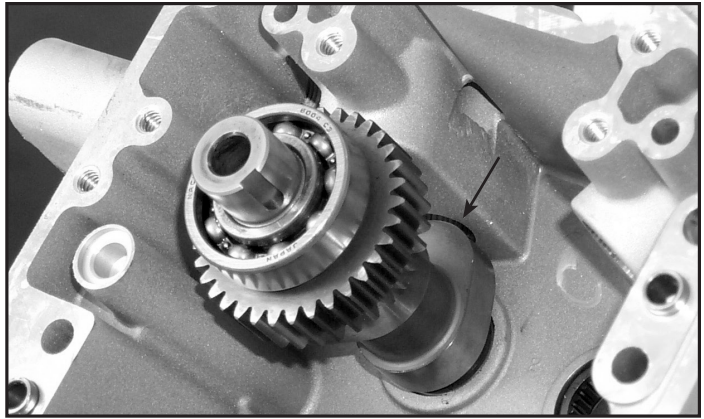
12. Use Harley-Davidson® cam chain tensioner unloader H-D® #42313 to remove retention pin from either tensioner. Allow tensioner to completely relax. Remove retaining ring and tensioner assembly from cam support plate. Repeat this procedure for remaining tensioner.

Install Gear Drive Cams

NOTE: Do not reuse cam bearings. If S&S Camshaft Installation Kit 106-5896 is not being used, new bearings should be obtained from another source and installed with new camshafts. The S&S Gear Drive Cams require that ball bearings be used for both front and rear camshaft outer bearings.

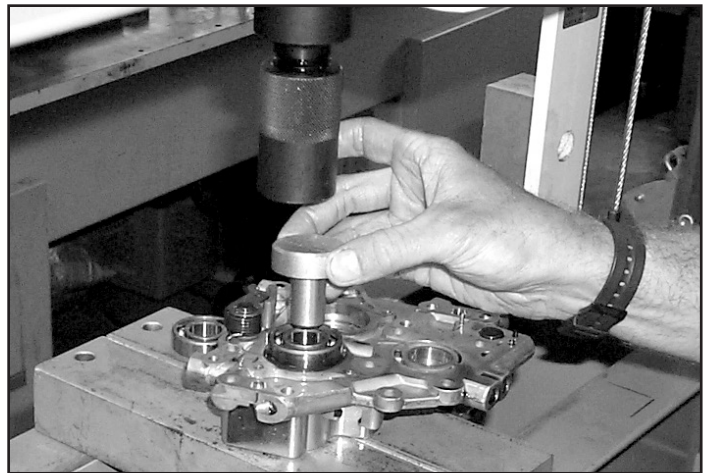
1. When using 551G, 583G, 585G, 625G, or 640G camshafts (33-5168, 33-5170, or 33-5172) clearance between pinion bearing boss and rear cam lobe must be checked. **See Pictures 5 & 6.** Remove just enough material to provide .030" clearance between top of cam lobe and pinion bearing boss when camshaft is rotated in inner needle bearing. Also check clearance between all cam lobes and tappet guide bosses. To avoid contamination of engine with chips, we recommend that all holes in the gear case be taped off with duct tape and that gear case be thoroughly cleaned with parts cleaner or solvent after clearancing is performed.

NOTE: If grinding is to be done all gear case components must be removed and all holes taped off with duct tape to avoid contamination of engine with chips.



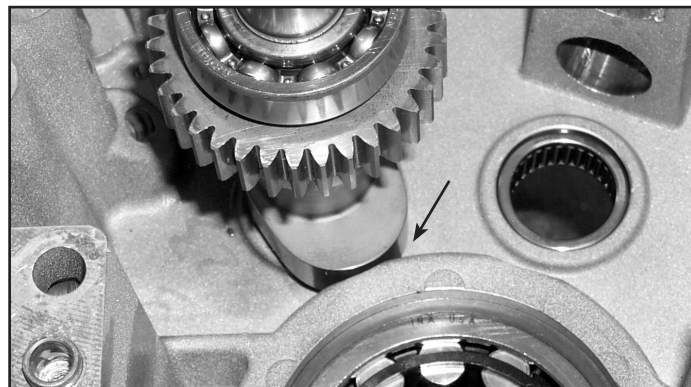
Picture 6

2. Carefully remove camshaft needle bearings from crankcase with Harley-Davidson® camshaft needle bearing remover/installer H-D® #42325, and replace them with new bearings provided in S&S Camshaft Installation Kit 106-5896, or with bearings from another source. Cam bearings must be Torrington B148 full complement bearing or equivalent.
3. Apply assembly lube to outer races of cam bearings and bearing bores in support plate. With cam support plate positioned securely in a hydraulic press, use Harley-Davidson® camshaft remover/installer H-D® #43644 to install both bearings. **See Picture 7.**

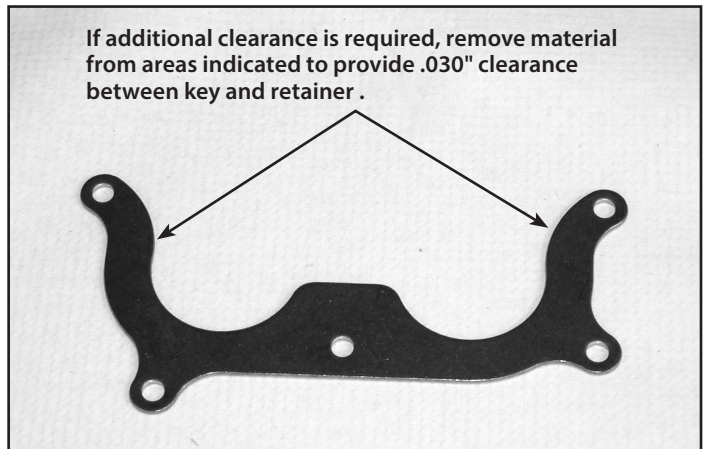


Picture 7

*NOTE: Check clearance between bearing retainer and woodruff keys securing inner gears to cams. Remove material from retainer, to provide .030" clearance between key and retainer. **See Picture 8 below.***

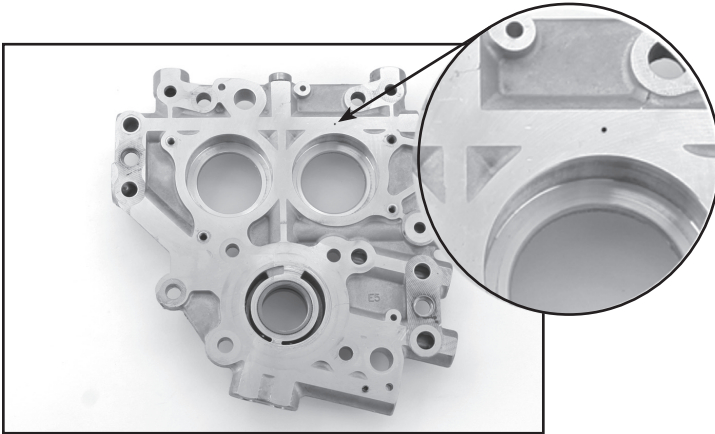


Picture 5



Picture 8

- Align hole in bearing retainer with oil passage in support plate. Install bearing retainer screws with a drop of blue Loctite® threadlock 242 or 243 and tighten screws to 20-30 in-lbs. torque. If your cam support plate is missing the oil hole between the cams don't be alarmed as some cam support plates have the hole in a new location above the rear cam, see **Picture 9**.



Picture 9

- Apply assembly lube to bearing surface of front (shorter) camshaft and to the inside of front cam bearing. Support bearing by inner race and press camshaft all the way into bearing. Install retaining ring on outer end of front camshaft.

NOTE: Do not reuse retaining ring. If S&S Camshaft Installation Kit 106-5896 is not being used, a new retaining ring be obtained from another source and installed with new camshaft.

- Apply assembly lube to bearing surface of rear (longer) camshaft and inside the rear bearing. Support bearing by inner race. Align front and rear camshaft gear timing marks as shown in **Figure 3** or **Figure 4**. Press camshaft all the way into bearing.

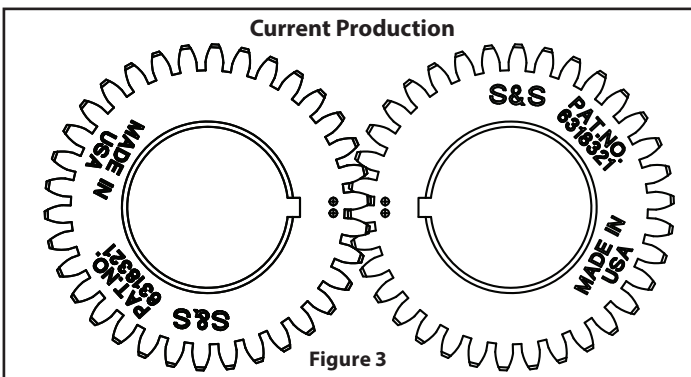


Figure 3

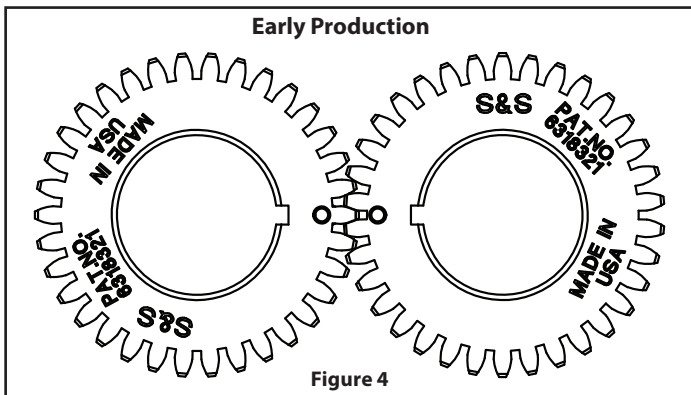


Figure 4

*NOTE: Current production S&S Gear drive camshafts have timing marks shown in **Figure 3**. Older S&S gear drive camshafts, have the timing marks shown in **Figure 4** Cams with early and late gear styles must not be used together.*

- Install the new oil pump scavenge o-ring supplied in the installation kit, and coat with assembly lube.

NOTE: Even if the original stock o-ring appears to be in good condition, it may have become brittle resulting in a poor seal and inadequate crankcase oil scavenging.

- Apply a thin layer of assembly lube to cam journals, lobe surfaces, and inner bearing surfaces. Thoroughly lubricate decompression lever of Easy Start Cams. Align camshafts with needle bearings and carefully slide support plate over crankcase dowels.

NOTE: Support plate assembly should slide into place without resistance. If resistance is encountered, determine cause and correct problem before proceeding. Do not force support plate into position!

- Loosely install support plate screws with a drop of blue thread locker Alternately tighten screws to 95 in-lbs. torque following sequence shown. See Figure 2 on Page 4.



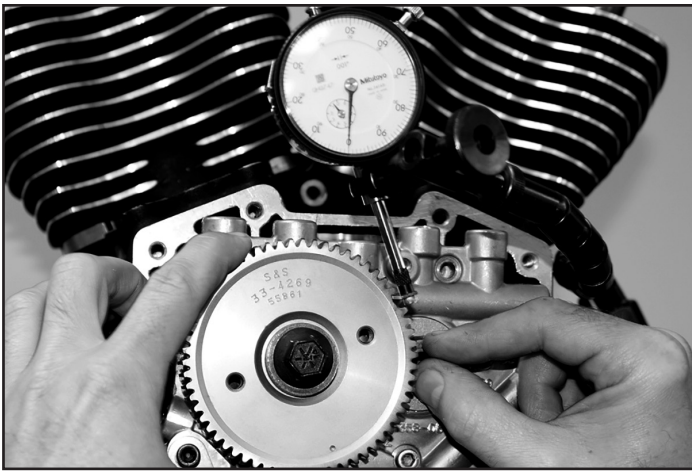
Support plate screws that pass through alignment dowels (See positions 1 & 2 in Figure 2) can be easily stripped when applying maximum 120 in-lbs. torque as recommended in factory service manual.

- Install oil pump mounting bolts with a drop of blue thread locker according to procedure found in factory service manual: Gently bottom screws, then back them out 1/4 turn. Center oil pump by rotating engine by hand while snugging down screws. Alternately tighten bolts to 95 in-lbs. torque in sequence shown in **Figure 1 on Page 4**. Before proceeding with installation, verify that inner cams rotate freely and no binding is present.

NOTES:

- Crankshaft and cam drive gears have a light press fit on their respective shafts. Start gears squarely on their shafts and use their mounting bolts to pull them all the way into position.
- Make sure that no metal burrs are raised when installing the gear sets. Burrs can form underneath the gear causing excessive gear run out.

- Place drive gear key in rear camshaft. Position rear cam drive gear on rear camshaft and key with timing mark outward.
- Apply a drop of red thread locker to threads of 3/8"-24 x 1.75 Grade 8 cam drive gear bolt. Apply a drop of clean engine oil under bolt flange. Using thick washer provided, install cam drive gear bolt and tighten to 34 ft-lbs. torque. Cams should rotate freely with no binding.
- Place a dial indicator on a tooth of the rear cam drive gear so that it measures the movement of the teeth of the rear cam drive gear at as close being in line with the direction of rotation as possible. This can be done with a "finger" on the probe as shown in **Picture 10**, or by other arrangement. Dial indicator can be secured with a flex mount or by bolting it to the crankcase at the gear cover surface.



Picture 10

14. Hold the front cam with finger pressure to keep it from rotating, and rock the rear cam drive gear back and forth. Record the amount of gear tooth movement as shown on the dial indicator. Repeat this measurement in four positions at 90° intervals of cam gear rotation. Divide the readings by 2 to correct for the difference in diameters in the inner gears and the outer drive gear. The lowest of the readings after dividing by 2 should be between .0005" and .001". If backlash is not correct, inner rear cam gear must be replaced with either oversized or undersized inner gear. These gears are not included in the cam kit. See line drawing on page 8 for part numbers.



Too much backlash can cause excessive gear noise or clicking caused by the reversing of the forces applied by the lifters to the cam lobes. Insufficient backlash, will cause gears to whine, wear prematurely, create excess heat, and may cause breaking of the gear teeth and engine failure

NOTE: The rear cam drive gear is slightly larger than the stock drive sprocket and needs to be checked for interference with cam cover before proceeding.

15. Place transmission in high gear and turn rear wheel to rotate engine so that when the crankshaft pinion gear is installed, the timing mark will line up with the timing mark on the rear cam drive gear. **See Figure 5.**

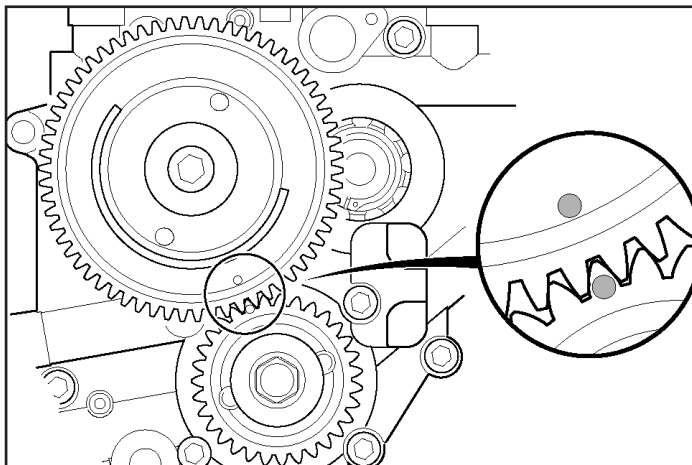


Figure 5

16. Place pinion gear on the pinion shaft with timing mark outward. Apply a drop of red thread locker to threads of 5/16"-18 x 3/4" Grade 8 crankshaft gear bolt, provided in S&S® Camshaft Installation Kit 106-5896 or obtained from another source. Apply a drop of clean engine oil under bolt flange. Using the washer removed in disassembly step G, install crankshaft gear bolt and tighten to 25 ft-lbs. torque.
17. To check backlash between the rear cam outer drive gear and the crankshaft pinion gear, place the dial indicator on a tooth of the rear cam outer drive gear. Rock the rear cam outer drive gear back and forth, and record the indicated backlash. Use the rear tire to turn the engine, and check the lash in four positions at 90° intervals on the pinion gear. Since these measurements are taken directly, they are correct as indicated. Do not divide by 2. Backlash measurements for outer gears may vary depending on the total indicated run-out (TIR) of the pinion shaft. The lowest of the four measurements should be between .0005" and .001", but none should be over .002". If backlash is not correct, pinion gear must be replaced with either an oversized or undersized pinion gear. These gears are not included in the cam kit. See line drawing on page 8 for part numbers. If the lowest backlash readings are within specification and the highest reading is over .002", the pinion shaft of the flywheel assembly has too much run out and must be corrected.
18. Press a small piece of clay or kneadable putty on cam cover mounting boss shown. **See Figure 6.** Carefully hold cover and cover gasket in position against crankcase. Install mounting bolts (4) near corners of cover finger tight. Push or tap cam cover towards front of engine.

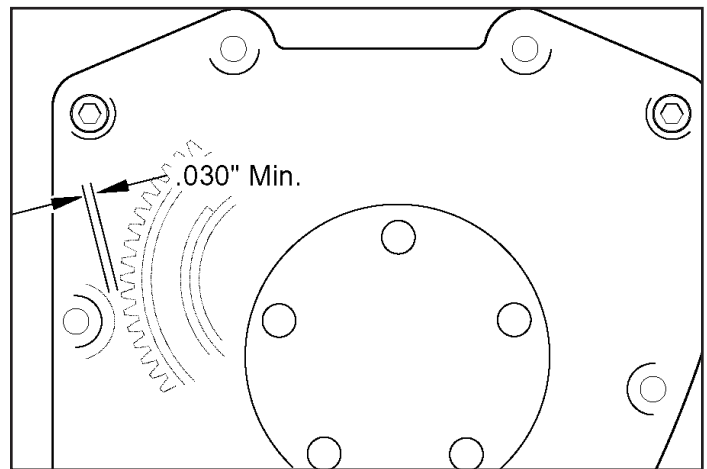


Figure 6

19. Carefully remove cam cover. Determine cover-to-gear clearance by measuring impression left in clay by gear at its thinnest point. Clearance should be .030" or more.
20. If clearance is less than .030", or if cover contacts gear, remove just enough material from cam cover to obtain correct clearance. Repeat steps R and S if necessary.



Be careful not to grind too deeply and break through to the outside of the cam cover. Damage to cam cover caused by removing too much material is not covered under warranty.

21. Use a new gasket and install cam cover. Tighten cover bolts to 100 in-lbs. in the sequence shown in **Figure 7**.
22. Remove magnetic tappet tool or clips to release tappets.
23. Reinstall pushrods. If using stock non-adjustable pushrods follow the procedure in the factory service manual. If installing adjustable pushrods, follow the manufacturer's instructions.
24. Replace any remaining parts removed to facilitate gear drive cams installation. Check engine oil level. Start engine and check for leaks.

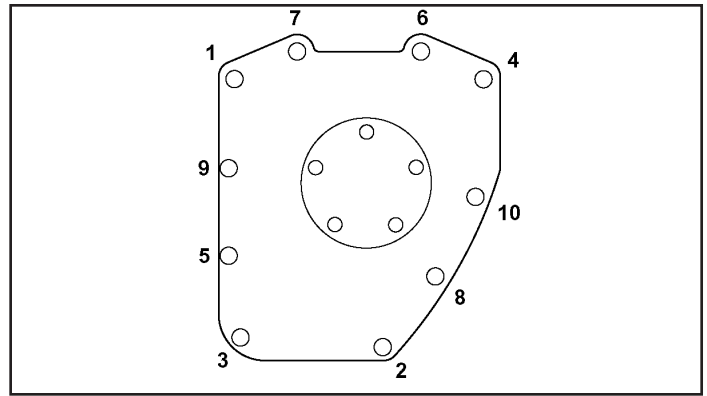


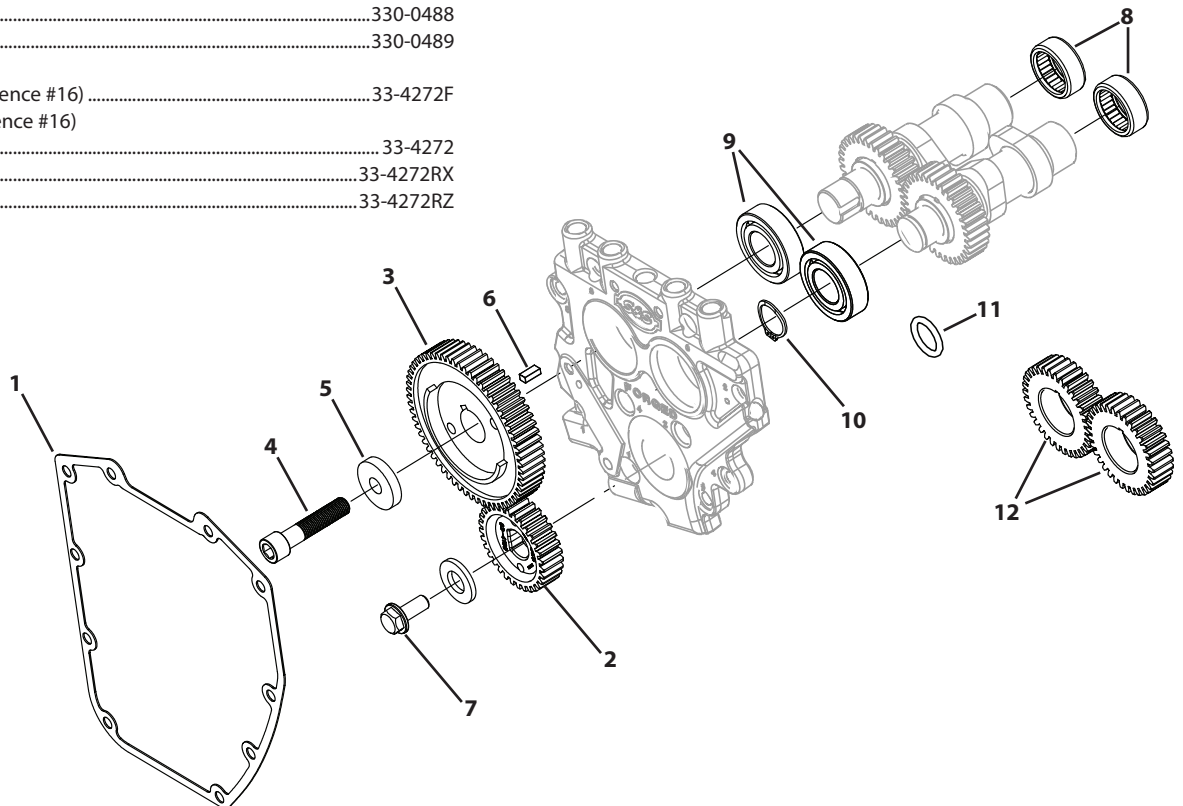
Figure 7

S&S® Gear Drive Cams Assembly Parts

1. Gasket, Cam Cover	31-2032-S
2. Pinion Gear,	
Standard Diameter	33-4160
Undersized	33-4160X
Double Under	33-4160XX
Oversized	33-4160Z
Double Over	33-4160ZZ
3. Rear Outer Cam Drive Gear, Kit	
(Includes reference #4, 5, & 6)	106-4882
4. Screw, SHC 3/8" -24 x 1 3/4"	50-0132
5. Washer, Flat 3/8" x 1 1/8" x .225"	50-7056
6. Key, Parallel, .188" x .150" x .420", Steel	106-1348
7. Screw, HHC 5/16" -18 x 3/4"	50-0100
8. Inner Cam Needle Bearing (Each)	31-4080
9. Bearing, Outer Cam, Ball	31-4081
10. Ring, Retaining	50-8061
11. Oil Pump Scavenge O-ring	50-8039
12. Inner Cam Gears	
Current Production (Front or Rear)	
Standard Diameter (each)	330-0486
Undersized (each)	330-0488
Oversized (each)	330-0489
Early Production	
Front (Includes reference #16)	33-4272F
Rear (Includes reference #16)	
Standard Diameter	33-4272
Undersized	33-4272RX
Oversized	33-4272RZ

Gear Kits (Not Shown)

13. Kit, Gear Drive Camshaft Installation	
(Includes reference #1, 7, 8, 9, & 10)	106-5896
14. Outer Drive Gear Kit	
(Includes reference #2, 3, 4, 5 & 6)	33-4276
15. Complete Gear Drive Kit	
(Includes reference #2, 3, 4, 5, 6, 10 (2 each), & 16)	33-4275
16. Key, Woodruff .125" x .5" (2)	50-8223-S



All references to Harley-Davidson® part numbers are for identification purposes only. We in no way are implying that any of S&S® Cycle's products are original equipment parts or that they are equivalent to the corresponding Harley-Davidson® part number shown.