

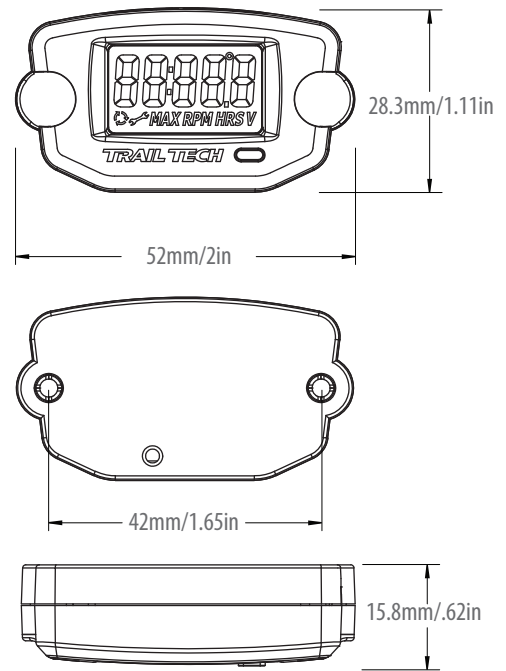
TTO™ KNOWLEDGE IS POWER.



Function: Volt

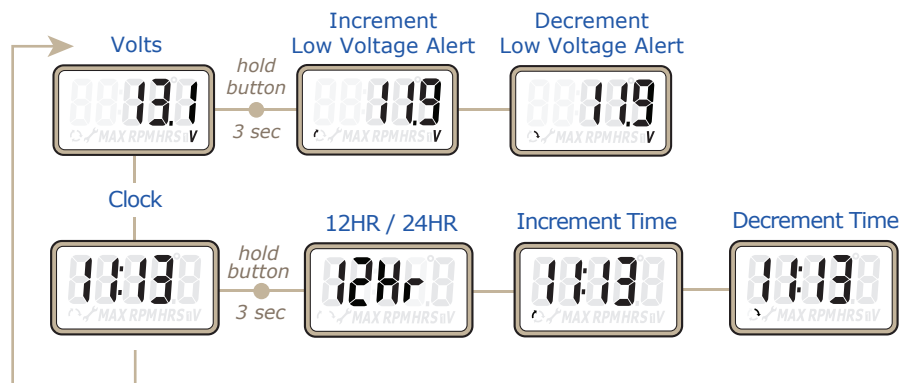
VOLT RANGE: 0.0 V to 63.6 V

Cutout Template



MENU LAYOUT

● = Button Press



MAIN SCREENS

Press Button: Next main screen.
Hold Button: Setup mode or reset current main screen.

SETUP MODE

Hold Button 3 sec: Press to Increment.
Wait 3 sec: Press to decrement.
Wait 3 sec: Back to Main Screen.

LOW VOLT WARNING

When volt crosses hi/lo limit alert shows on main screen



Press Button: Next main screen
30 seconds: Return to alert screen

BACK LIGHT Hold button 3 sec on any main screen. After all other setup the **bl** option shows. Press button to toggle back light **On, OFF, Auto**