

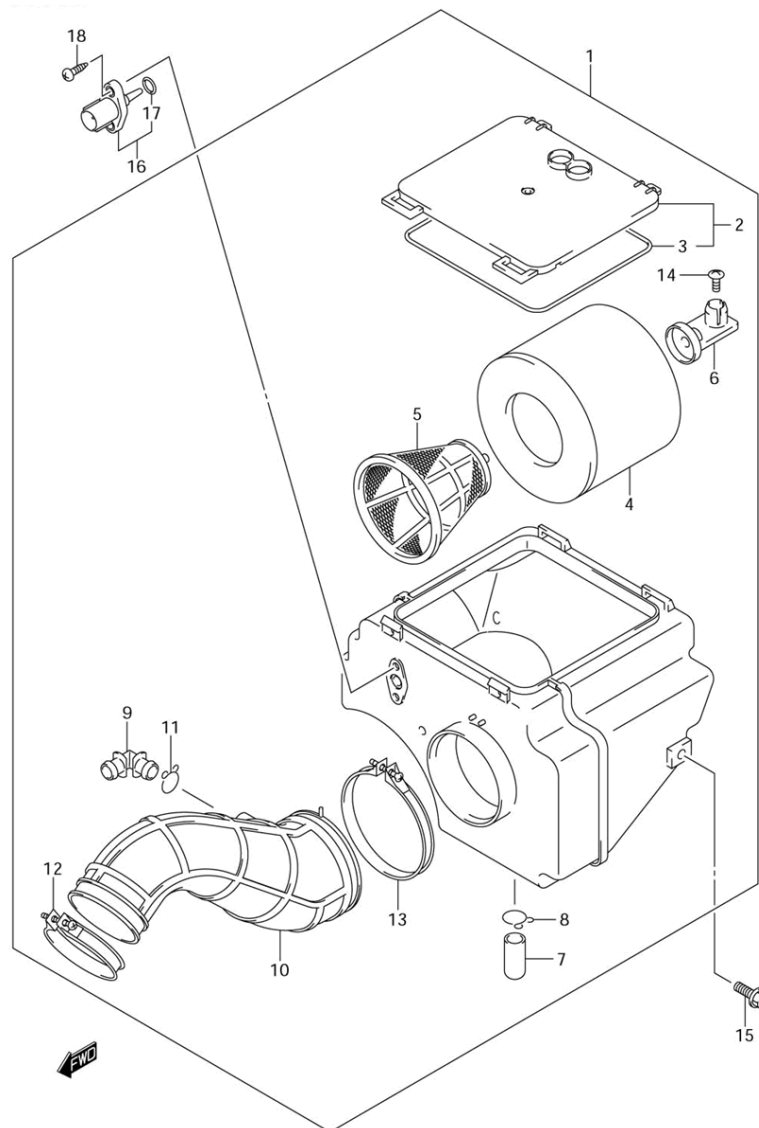


Part Number 153911C

PowerFlow Kit Suzuki LTR450

(incl. Air Filter (FR), Wire Cage)

Instructions:



LT-R450K6 E28 E33_013
AIR CLEANER-C

1. 153911C includes a Twin Air Factory BIO Pre-Oiled Air Filter and Cage.
2. Remove stock air filter and cage from the air box.
3. Place pre-oiled air filter on cage and install into air box retaining the standard filter cage holder (6).

If you have any other questions feel free to contact us. For contact information go to www.twinair.com or www.twinairusa.com.



Twin Air Replacement Parts and Accessories

- PowerFlow Replacement Air Filter: #153911FR
- Pre-Oiled Replacement Filter: #153911FRX
- Replacement Oil Filter: #140007

Twin Air Cleaning and Oiling Products

- Bio Dirt Remover: #159004
- Liquid Bio Power: #159017
- Bio Pack (Dirt Remover / Liquid Power): #159020
- Bio Spray: #159018M
- Twin Air Bio System: #159000BIO

For more details or to purchase these or other Twin Air products go to www.twinair.com, www.twinairusa.com or visit your local Twin Air Authorized Dealer.