

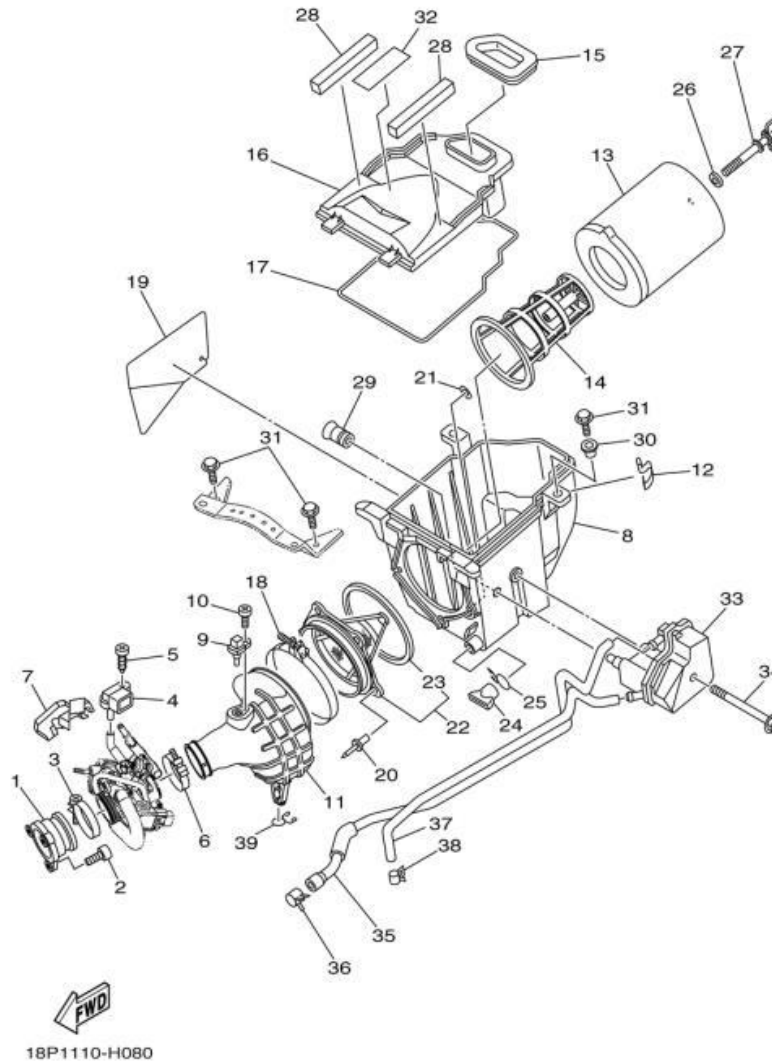


Part Number 152902CK

PowerFlow Kit Yamaha YFZ450

(incl. Air Filter (FR), Composite Flange, spring and Mounting Hardware)

Instructions:



1. Remove the air filter, air filter cage, and plastic sealing ring, which houses the backfire screen.
2. Mount the Twin Air plastic sealing ring/flange onto the airbox, in the same way the original sealing ring was mounted. (Be sure to use the supplied o-ring and the bolts that came with the flange, coating the threads in Loctite)
3. Insert the spring into the pre-oiled air filter being careful not to puncture the foam.
4. Clamp the filter to the plastic sealing ring/flange using the supplied hose clamp.

If you have any other questions feel free to contact us. For contact information go to www.twinair.com or www.twinairusa.com.



Twin Air Replacement Parts and Accessories

- PowerFlow Replacement Air Filter: #152902FRK

Twin Air Cleaning and Oiling Products

- Bio Dirt Remover: #159004
- Liquid Bio Power: #159017
- Bio Pack (Dirt Remover / Liquid Power): #159020
- Bio Spray: #159018M
- Twin Air Bio System: #159000BIO

For more details or to purchase these or other Twin Air products go to www.twinair.com, www.twinairusa.com or visit your local Twin Air Authorized Dealer.