



# Skyline Soaring ASK-21 Cockpit Guide

## N341KS

KFRR (Front Royal) 123.0 / wx 121.850	KOKV (Winchester) 122.975 / wx 124.85
FBO: 540-635-5370	AWOS: 540-635-5377
Skyline Ground 123.3	KLUA (Luray) 122.8 / wx 118.275
Potomac Approach 120.45	8W2 (New Market) 122.8 / wx 118.175
	KSHD (Shenandoah) 123.0 / wx 124.925

Before Takeoff Checklists		Before Landing
A BB CCCC DDD E	or	CB SWIFTT CCBE
		FUSTALL
<b>A - Altimeter</b>  <b>B - Ballast</b> <b>B - Belts</b>  <b>C - Controls, Flaps, Trim</b> <b>C - Comm</b> <b>C - Connect Towrope</b> <b>C - Canopy</b>  <b>D - Dolly</b> <b>D - Dive Brakes</b> <b>D - Direction of Wind</b>  <b>E - Emergency Plan</b>	<b>C - Controls</b> <b>B - Ballast</b>  <b>S - Straps</b> <b>W - Winds</b> <b>I - Instruments</b> <b>F - Flaps</b> <b>T - Trim</b> <b>T - Tail Dolly</b>  <b>C - Connect Towrope</b> <b>C - Canopy</b> <b>B - Brakes</b> <b>E - Emergency Plan</b>	<b>F - Flaps</b>  <b>U - Undercarriage</b>  <b>S - Speed</b>  <b>T - Trim</b>  <b>A - Airbrakes</b>  <b>L - Lookout</b>  <b>L - Landing</b>
<b>Final Check – Canopies, Spoilers, Dolly</b>		

	<u>Dual / Solo</u>
<b>Stall</b>	<b>35 / 33</b>
<b>Stall Spoilers</b>	<b>37 / 35</b>
<b>Min Sink</b>	<b>42 / 38</b>
<b>Rec Apch (POH)</b>	<b>49+</b>
<b>Best L/D</b>	<b>50 / 48</b>
<b>Pattern</b>	<b>55+</b>
<b>Aero Tow</b>	<b>97</b>
<b>Maneuver</b>	<b>97</b>
<b>Rough Air</b>	<b>108</b>
<b>Never Exceed</b>	<b>151</b>
<b>G Limits @V<sub>m</sub></b>	<b>+6.5 / -4.0</b>
<b>G Limits @V<sub>ne</sub></b>	<b>+5.3 / -3.0</b>
<b>Pilot Wt</b>	<b>154-242F, 0-242R, 470T</b>
<b>Max XW</b>	<b>N/A</b>
<b>Flight in Precip</b>	<b>+5 kts</b>

Speed to Fly (Dual):						
Sink (K)	0	1	2	3	4	5
Airspeed	50	59	68	73	78	84
Glider Sink	1.5	1.9	2.3	2.7	3.2	3.8
Total Sink	1.5	2.9	4.2	5.7	7.2	8.8
Glide Ratio	33	21	16	13	11	9

Speed to Fly (Solo):						
Sink (K)	0	1	2	3	4	5
Airspeed	48	54	59	65	73	78
Glider Sink	1.4	1.7	2.0	2.4	3.1	3.7
Total Sink	1.4	2.7	4.0	5.4	7.1	8.7
Glide Ratio	33	20	15	12	10	9

Min Sink Speed by Bank Angle: (Dual / Solo)					
<u>0 deg</u>	<u>15 deg</u>	<u>30 deg</u>	<u>45 deg</u>	<u>60 deg</u>	
42/37	43/38	45/40	45/44	59/52	

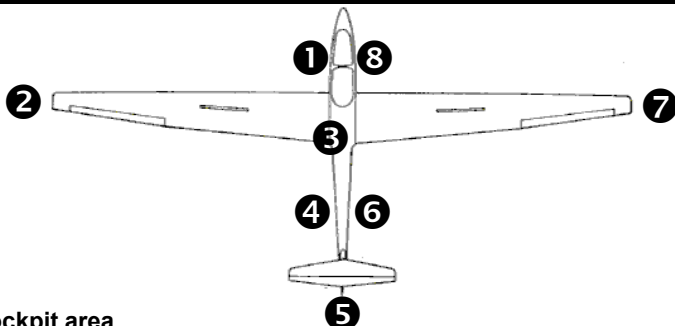
Never Exceed Speed (V <sub>ne</sub> ) by Altitude:					
<u>SL</u>	<u>5 K</u>	<u>10 K</u>	<u>15 K</u>	<u>20 K</u>	
151	151	144	132	121	



# Skyline Soaring ASK-21 Cockpit Guide

## N341KS

### Daily Inspection / Pre-Flight Checklist



#### 1 – Cockpit area

- Canopy condition, latches operable, main pins secured, vents & rails
- Ballast removed from seat and bolt-in positions, or set for flight
- Battery secure, radio and instruments operable
- Main spar pins in place and secured, hydraulic reservoir level OK
- Check for foreign bodies or loose items
- Documents in place (AROW), land-out tool bag in right wing root
- Flight controls free, clear, proper movement against load
- Rudder S-tubes proper and tight fit, adjust mechanism functions
- Release mechanisms engage, release, cables return, pivot arm free
- Nose tire 28 psi, main tire 38 psi, wheel brake engages and effective

#### 2 – Left wing

- Upper and lower surfaces free of damage, no fore/aft play
- Aileron condition, full travel, pushrod connected
- Airbrake condition, travel, fit, and locking; box clear

#### 3 – Inspection port

- Ailerons and airbrakes connected and secured with spring clips
- Check for foreign bodies

#### 4 – Fuselage

- Check for damage, especially bottom
- Static ports, TE/venturi tube clear

#### 5 – Tail

- Tailplane properly assembled and secured, pushrod connected, clip
- Rudder properly assembled and secured, cables connected
- Tail wheel 36 psi

#### 6 – Fuselage: same as (4)

#### 7 – Right Wing: same as (2)

#### 8 – Cockpit area/Nose: complete exterior inspection, pitot tube clear

#### Front Seat Ballast:

# Lead Disks	Min Pilot Wt	# Lead Disks	Min Pilot Wt	# Lead Disks	Min Pilot Wt
0	154.3	5	140.5	10	126.8
1	151.6	6	137.8	11	124.0
2	148.8	7	135.0	12	121.2
3	146.6	8	132.3		
4	143.3	9	129.5		



# Skyline Soaring ASK-21 Cockpit Guide

N341KS

## Rigging / Derigging Checklist

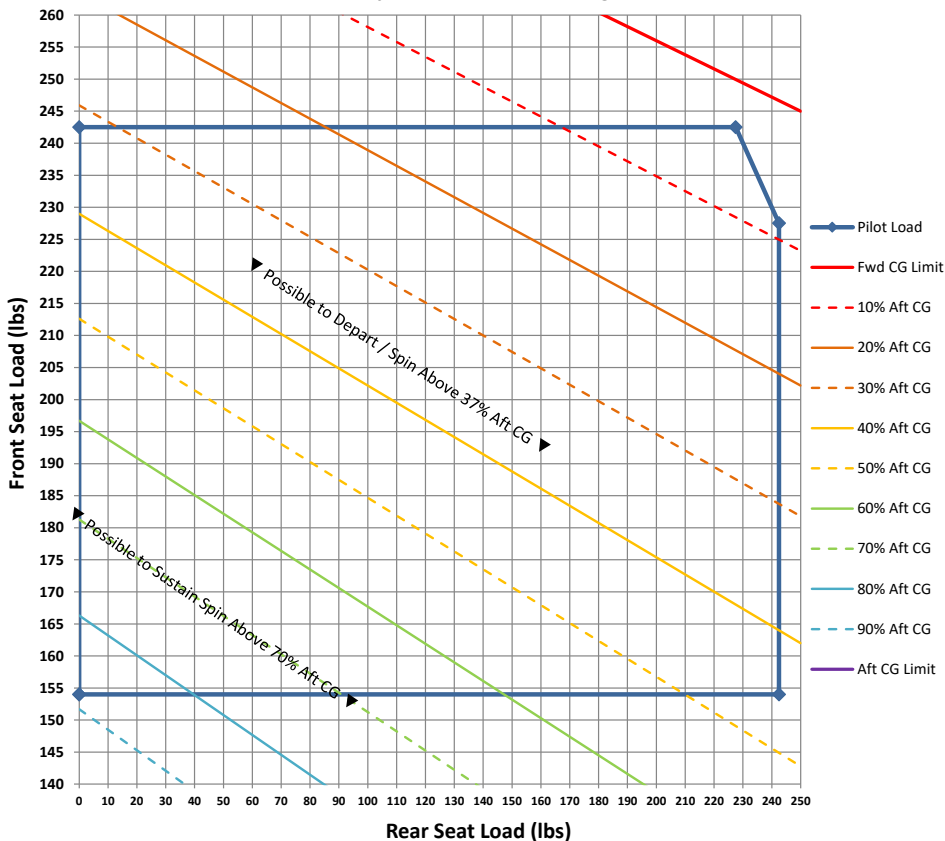
Rigging the ASK 21 can be carried out by four persons without mechanical assistance, and by three persons with the use of a fuselage stand or wing support. The assembly tool bag should always be kept in the right wing root storage area when assembled, and in the rear seat when disassembled.

Prior to rigging, clean and grease all pins, bolts, bushings and control systems connections.

- 1 – Set up the fuselage and hold it horizontal.
- 2 – Plug the spar fork of the left wing into the fuselage, aligning the fuselage lift pins in the wing root receivers, and place a wing support under the wing end.
- 3 – Offer up the right wing and align the main pin fittings.
- 4 – Press in the main pins and secure. Never insert the rear wing attachment pins prior to the main pins.
- 5 – Press in the rear wing attachment pins; unscrew the T-tool and check that the safety locks are engaged.
- 6 – Connect and lock the aileron control linkages in the fuselage behind the spar tunnel. You must be able to touch the ball pivot by feeling through the slot in the socket. Check the proper engagement of the safety lock by pushing it on to close.
- 7 – Connect and lock the airbrake control linkages in the fuselage behind the spar tunnel.
- 8 – The tailplane is fitted onto the fin from the front. Engage the roller bearing into the elevator pushrod slot, drop the mounting brace into the front edge of the vertical tunnel, then seat the lift and alignment pins by pushing the elevator aft. Screw in the Allen bolt at the leading edge until tightly seated and the spring-loaded safety pin snaps into the castellated screw head.
- 9 – Tape wing roots, rudder/elevator seam, and elevator attach point.
- 10 – Conduct a thorough preflight inspection and Positive Control Check.

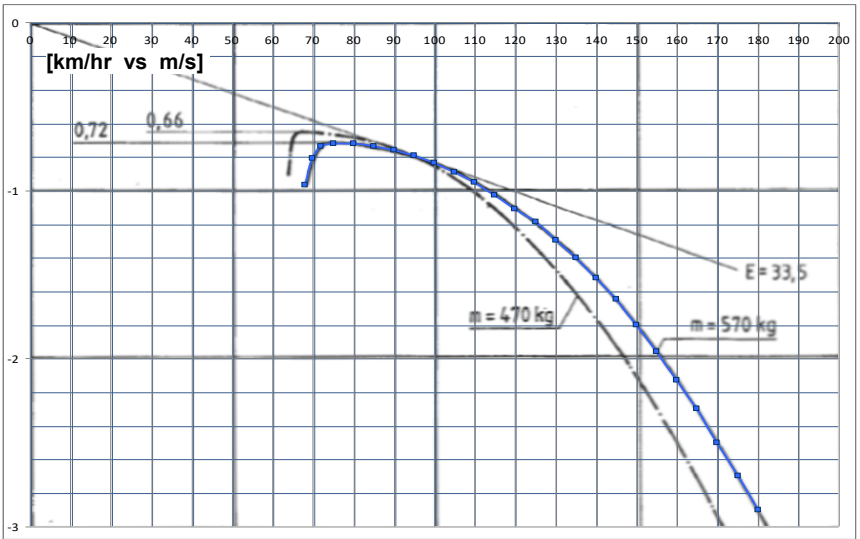
De-rigging is carried out in the reverse sequence to that of rigging. It must be taken care that the rear wing attachment pins have to be removed prior to the main pins. Remember to disconnect batteries!

### ASK-21 N341KS Loading Graph July 2025, No Wheel Fairing

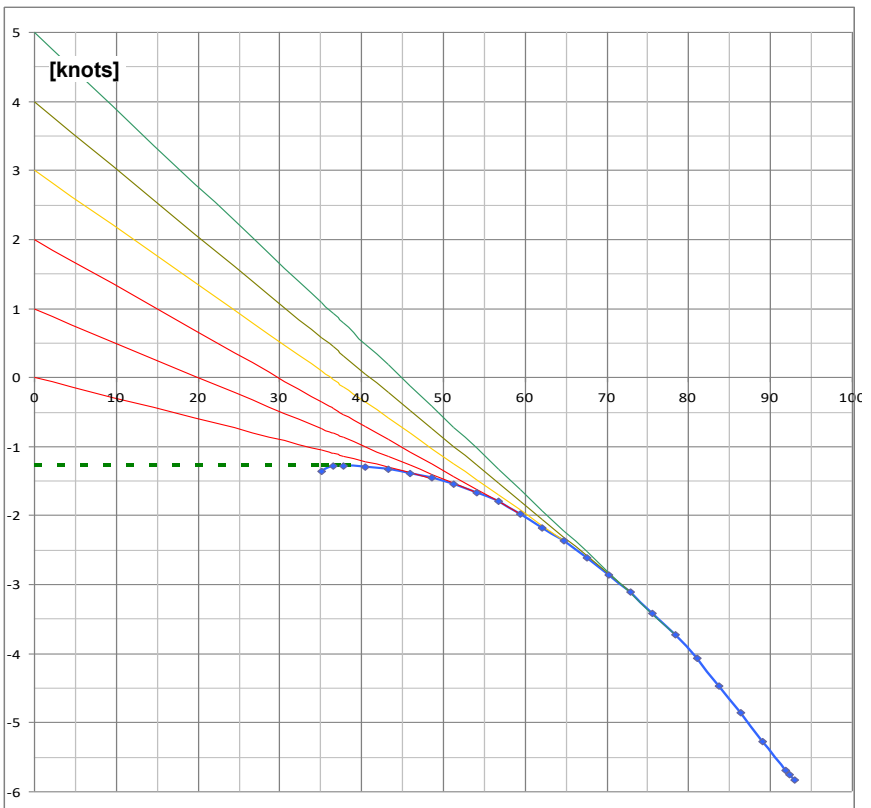
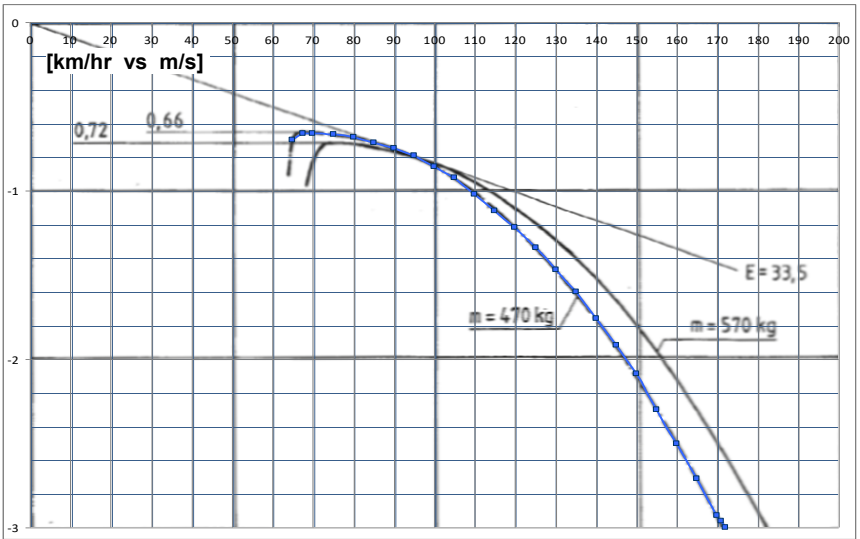


July 2025 Weight and Balance  
 Empty Weight = 852.8 lbs  
 Empty Moment = 24,773.1 in-lbs  
 Empty CG = 29.0 in

# ASK-21 Polar, Dual



# ASK-21 Polar, Solo





# Skyline Soaring ASK-21 Cockpit Guide

## N321K

KFRR (Front Royal) 123.0 / wx 121.850	KOKV (Winchester) 122.975 / wx 124.85
FBO: 540-635-5370	AWOS: 540-635-5377
Skyline Ground 123.3	KLUA (Luray) 122.8 / wx 118.275
Potomac Approach 120.45	8W2 (New Market) 122.8 / wx 118.175
	KSHD (Shenandoah) 123.0 / wx 124.925

Before Takeoff Checklists		Before Landing
A BB CCCC DDD E	or	CB SWIFTT CCBE
		FUSTALL
<b>A - Altimeter</b>  <b>B - Ballast (incl tail)</b> <b>B - Belts</b>  <b>C - Controls, Flaps, Trim</b> <b>C - Comm</b> <b>C - Connect Towrope</b> <b>C - Canopy</b>  <b>D - Dolly</b> <b>D - Dive Brakes</b> <b>D - Direction of Wind</b>  <b>E - Emergency Plan</b>	<b>C - Controls</b> <b>B - Ballast (incl tail)</b>  <b>S - Straps</b> <b>W - Winds</b> <b>I - Instruments</b> <b>F - Flaps</b> <b>T - Trim</b> <b>T - Tail Dolly</b>  <b>C - Connect Towrope</b> <b>C - Canopy</b> <b>B - Brakes</b> <b>E - Emergency Plan</b>	<b>F - Flaps</b>  <b>U - Undercarriage</b>  <b>S - Speed</b>  <b>T - Trim</b>  <b>A - Airbrakes</b>  <b>L - Lookout</b>  <b>L - Landing</b>
<b>Final Check – Canopies, Spoilers, Dolly</b>		

	<u>Dual / Solo</u>
<b>Stall</b>	<b>35 / 33</b>
<b>Stall Spoilers</b>	<b>37 / 35</b>
<b>Min Sink</b>	<b>42 / 38</b>
<b>Rec Apch (POH)</b>	<b>49+</b>
<b>Best L/D</b>	<b>50 / 48</b>
<b>Pattern</b>	<b>55+</b>
<b>Aero Tow</b>	<b>97</b>
<b>Maneuver</b>	<b>97</b>
<b>Rough Air</b>	<b>108</b>
<b>Never Exceed</b>	<b>151</b>
<b>G Limits @Vm</b>	<b>+6.5 / -4.0</b>
<b>G Limits @Vne</b>	<b>+5.3 / -3.0</b>
<b>Pilot Wt</b>	<b>154-242F, 0-242R, 460T</b>
<b>Max XW</b>	<b>N/A</b>
<b>Flight in Precip</b>	<b>+5 kts</b>

Speed to Fly (Dual):						
Sink (K)	0	1	2	3	4	5
Airspeed	50	59	68	73	78	84
Glider Sink	1.5	1.9	2.2	2.7	3.2	3.8
Total Sink	1.5	2.9	4.2	5.7	7.2	8.8
Glide Ratio	33	21	16	13	11	9

Speed to Fly (Solo):						
Sink (K)	0	1	2	3	4	5
Airspeed	48	54	59	65	73	78
Glider Sink	1.4	1.7	2.0	2.4	3.1	3.7
Total Sink	1.4	2.7	4.0	5.4	7.1	8.7
Glide Ratio	33	20	15	12	10	9

Min Sink Speed by Bank Angle: (Dual / Solo)					
<u>0 deg</u>	<u>15 deg</u>	<u>30 deg</u>	<u>45 deg</u>	<u>60 deg</u>	
42/37	43/38	45/40	50/44	59/52	

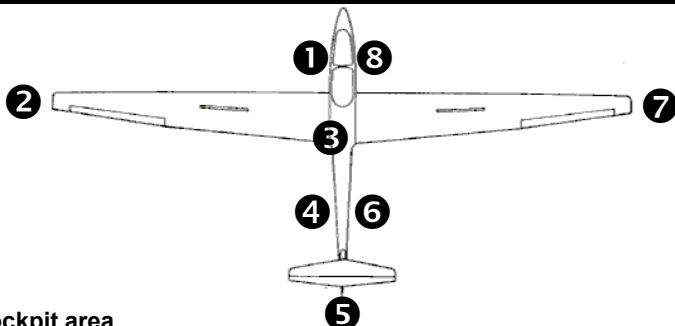
Never Exceed Speed (Vne) by Altitude:					
<u>SL</u>	<u>5 K</u>	<u>10 K</u>	<u>15 K</u>	<u>20 K</u>	
151	151	144	132	121	



# Skyline Soaring ASK-21 Cockpit Guide

## N321K

### Daily Inspection / Pre-Flight Checklist



**1 – Cockpit area**

- Canopy condition, latches operable, main pins secured, vents & rails
- Ballast removed from seat and bolt-in positions, or set for flight
- Battery secure, radio and instruments operable
- Main spar pins in place and secured, hydraulic reservoir level OK
- Check for foreign bodies or loose items
- Documents in place (AROW), land-out tool bag in right wing root
- Flight controls free, clear, proper movement against load
- Rudder S-tubes proper and tight fit, adjust mechanism functions
- Release mechanisms engage, release, cables return, pivot arm free
- Nose tire 28 psi, main tire 38 psi, wheel brake engages and effective

**2 – Left wing**

- Upper and lower surfaces free of damage, no fore/aft play
- Aileron condition, full travel, pushrod connected
- Airbrake condition, travel, fit, and locking; box clear

**3 – Inspection port**

- Ailerons and airbrakes connected and secured with spring clips
- Check for foreign bodies

**4 – Fuselage**

- Check for damage, especially bottom
- Static ports, TE/venturi tube clear

**5 – Tail**

- Tailplane properly assembled and secured, pushrod connected, clip
- Rudder properly assembled and secured, cables connected
- Tail wheel 36 psi

**6 – Fuselage: same as (4)**

**7 – Right Wing: same as (2)**

**8 – Cockpit area/Nose: complete exterior inspection, pitot tube clear**

**Front Seat Ballast:**

<u># Lead Disks</u>	<u>Min Pilot Wt</u>	<u># Lead Disks</u>	<u>Min Pilot Wt</u>	<u># Lead Disks</u>	<u>Min Pilot Wt</u>
0	154.3	5	140.5	10	126.8
1	151.6	6	137.8	11	124.0
2	148.8	7	135.0	12	121.2
3	146.6	8	132.3		
4	143.3	9	129.5		



# Skyline Soaring ASK-21 Cockpit Guide

N321K

## Rigging / Derigging Checklist

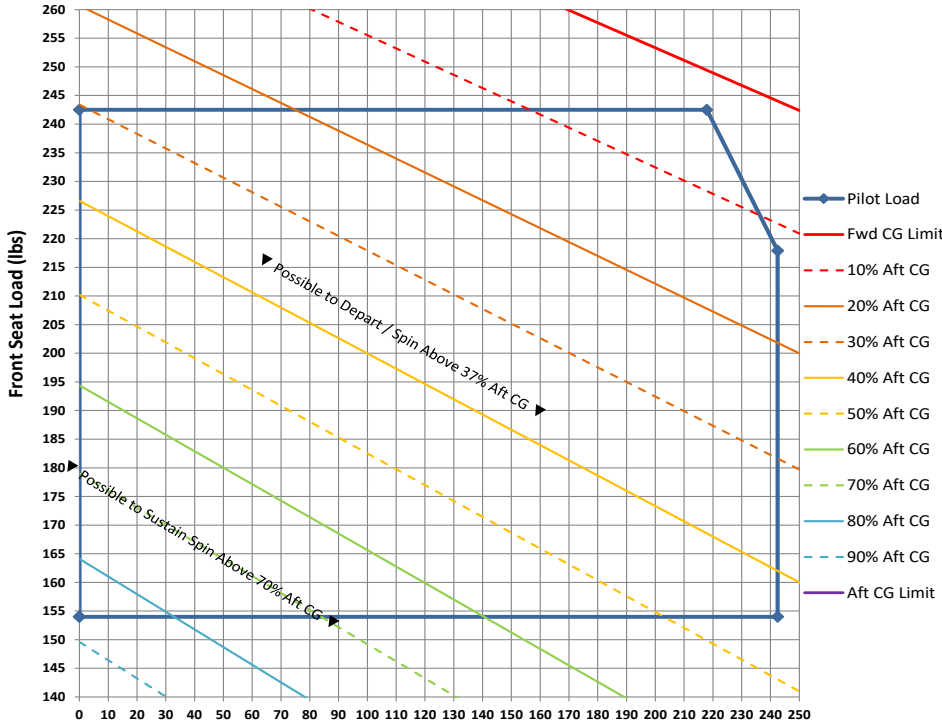
Rigging the ASK 21 can be carried out by four persons without mechanical assistance, and by three persons with the use of a fuselage stand or wing support. The assembly tool bag should always be kept in the right wing root storage area when assembled, and in the rear seat when disassembled.

Prior to rigging, clean and grease all pins, bolts, bushings and control systems connections.

- 1 – Set up the fuselage and hold it horizontal.
- 2 – Plug the spar fork of the left wing into the fuselage, aligning the fuselage lift pins in the wing root receivers, and place a wing support under the wing end.
- 3 – Offer up the right wing and align the main pin fittings.
- 4 – Press in the main pins and secure. Never insert the rear wing attachment pins prior to the main pins.
- 5 – Press in the rear wing attachment pins; unscrew the T-tool and check that the safety locks are engaged.
- 6 – Connect and lock the aileron control linkages in the fuselage behind the spar tunnel. You must be able to touch the ball pivot by feeling through the slot in the socket. Check the proper engagement of the safety lock by pushing it on to close.
- 7 – Connect and lock the airbrake control linkages in the fuselage behind the spar tunnel.
- 8 – The tailplane is fitted onto the fin from the front. Engage the roller bearing into the elevator pushrod slot, drop the mounting brace into the front edge of the vertical tunnel, then seat the lift and alignment pins by pushing the elevator aft. Screw in the Allen bolt at the leading edge until tightly seated and the spring-loaded safety pin snaps into the castellated screw head.
- 9 – Tape wing roots, rudder/elevator seam, and elevator attach point.
- 10 – Conduct a thorough preflight inspection and Positive Control Check.

De-rigging is carried out in the reverse sequence to that of rigging. It must be taken care that the rear wing attachment pins have to be removed prior to the main pins. Remember to disconnect batteries!

## ASK-21 N321K Loading Graph July 2025 - No Spin Weights, No Wheel Fairing



**July 2025 Weight and Balance**  
 Empty Weight = 862.4 lbs  
 Empty Moment = 24,870.3 in-lbs  
 Empty CG = 28.84 in

### N321K Spin training CG goal ~ 16 in (~ 73%)

Nbr Disks for 73%	Rear Seat Weight																		
	154	160	165	170	175	180	185	190	195	200	205	210	215	220	225	230	235	240	242
Front Seat Wt 154	4	4	4	5	5	5	5	6	6	6	6	6	7	7	7	7	8	8	8
160	5	5	5	6	6	6	6	6	7	7	7	7	8	8	8	8	8	9	9
165	6	6	6	6	7	7	7	7	7	8	8	8	8	9	9	9	9	9	10
170	6	7	7	7	7	8	8	8	8	8	9	9	9	9	10	10	10	10	10
175	7	7	8	8	8	8	8	8	9	9	9	9	10	10	10	10	10	11	11
180	8	8	8	8	9	9	9	9	10	10	10	10	11	11	11	11	11	11	12
185	9	9	9	9	10	10	10	10	10	10	11	11	11	11	12	12	12	12	12
190	9	10	10	10	10	10	11	11	11	11	12	12	12	12	12	72%	71%	70%	70%
195	10	10	10	11	11	11	11	12	12	12	12	12	12	12	72%	71%	70%	68%	11:64
200	11	11	11	12	12	12	12	12	12	12	12	12	12	12	71%	70%	68%	68%	11:64
205	12	12	12	12	12	12	72%	71%	70%	69%	68%	67%	66%	65%	65%	66%	65%	65%	65%
210	12	72%	71%	70%	70%	69%	68%	67%	66%	66%	65%	64%	63%	63%	63%	63%	63%	63%	63%
215	70%	69%	69%	68%	67%	66%	65%	65%	64%	63%	62%	62%	61%	61%	61%	61%	61%	61%	61%
220	68%	67%	66%	65%	64%	63%	63%	62%	61%	60%	60%	59%	58%	57%	57%	57%	57%	57%	57%
225	65%	64%	63%	62%	62%	61%	60%	59%	59%	58%	57%	57%	57%	57%	57%	57%	57%	57%	57%
230	62%	61%	60%	60%	59%	58%	58%	57%	56%	55%	55%	55%	55%	55%	55%	55%	55%	55%	55%
235	60%	59%	58%	57%	56%	56%	55%	54%	54%	54%	54%	54%	54%	54%	54%	54%	54%	54%	54%
240	57%	56%	55%	55%	54%	53%	52%	52%	52%	52%	52%	52%	52%	52%	52%	52%	52%	52%	52%
242	56%	55%	54%	53%	53%	52%	51%	51%	51%	51%	51%	51%	51%	51%	51%	51%	51%	51%	51%

Provided as cross-check of spin weight configuration only. Spin training flights will only be conducted with an instructor, with specific CG calculation based on weigh-in.

Green integer is number of spin weights to reach 16" / 73% aft CG

Gray percentage is the aft CG with all 12 weights if less than 73% target for spin training

Red integer, a dot, and red percentage shows the max allowable number of weights and resulting cg

Red "OW" means that pilot weight combination with no weights at all is above max allowable flying weight



# Skyline Soaring ASK-21 Spin Facts

## N321K

### Spin Quiz Discussion Guide

- 1) What are the spin recovery steps? Recite from memory!
  - Full opposite rudder, neutral aileron
  - Pause
  - Ease stick forward (release back pressure)
  - Neutral rudder
  - Recover from dive
- 2) Approximate altitude loss per turn in a spin is  $200 \pm 50$  ft
- 3) Approximate altitude loss during recovery is 260 ft
- 4) Failure to pause between rudder & stick forward will delay recovery
- 5) The amount of time to pause is approximately  $\frac{1}{2}$  turn
- 6) Full forward stick may delay or prevent recovery
- 7) Do not use spoilers during recovery, G limit with spoilers out is +3.5
- 8) Both pilots must weigh in and calculate CG and spin weight configuration not to exceed allowable max gross weight, CG position not aft of 16" or 73% of allowable aft CG, For this flight, pilot weights are \_\_\_\_\_ and \_\_\_\_\_, the number of weights installed is \_\_\_\_\_.
- 9) At KFRR, minimum altitude to initiate recovery is 2500' AGL (~3200' MSL over valley near airfield)
- 10) Ailerons and elevator control gaps must be sealed (taped)
- 11) When spin weights are not installed, the nut and safety clip must be on the front cockpit instrument panel stud
- 12) Normal spin entry is accomplished from 10 deg nose high, full rudder 2 knots above stall speed, hold full rudder and aft stick, neutral aileron
- 13) What is the difference between a spin and a spiral dive?
- 14) Have you read the entire text of the POH including TN4b, syllabus item 3h including references, Ops Manual par 3.17, and watched spin video clips?
- 15) What are the spin recovery steps? (again!)



# Skyline Soaring ASK-21 Spin Guide

N321K

## Spin Checklist

### Preflight

- Spin weights calculated, installed
- Check aileron and elevator gaps taped
- Remove land-out kit and any unneeded items
- Check batteries securely locked down
- Tow pilot brief – 4000' min, 5000' recommended, dropoff point (Pawnee preferred)

### Before Spins

- Slow flight to stall and recovery
- Nose-high stall, note stall airspeed, recovery
- HASSLL checks
  - Height (suitable for planned maneuvers)
  - Aircraft (vents closed, g-meters reset)
  - Straps (secure and tight)
  - Security (all loose items stowed, zippers closed)
  - Location (terrain below, distance from field)
  - Lookout (clear airspace, optional radio call)

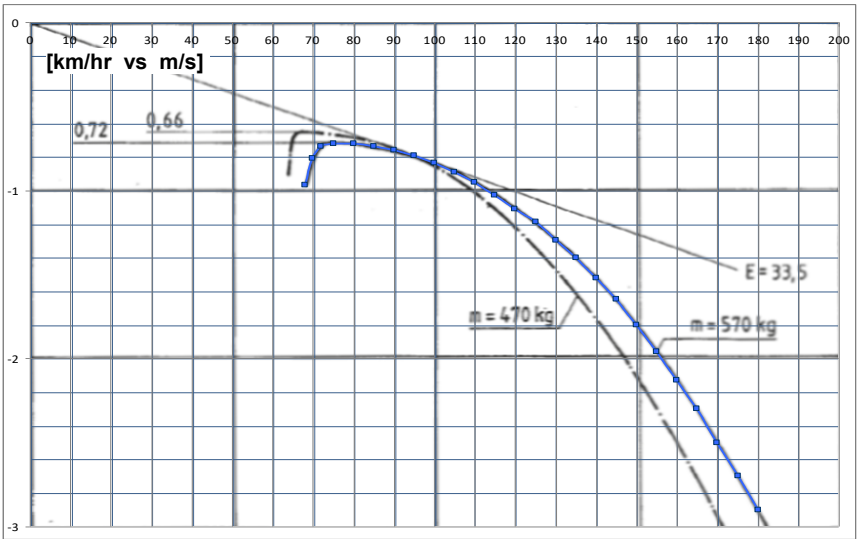
### Spin

- Confirm planned entry, # turns, recovery altitude
- Recite spin recovery procedure
- Execute, recover, check g-meters
- Debrief
- Next maneuver

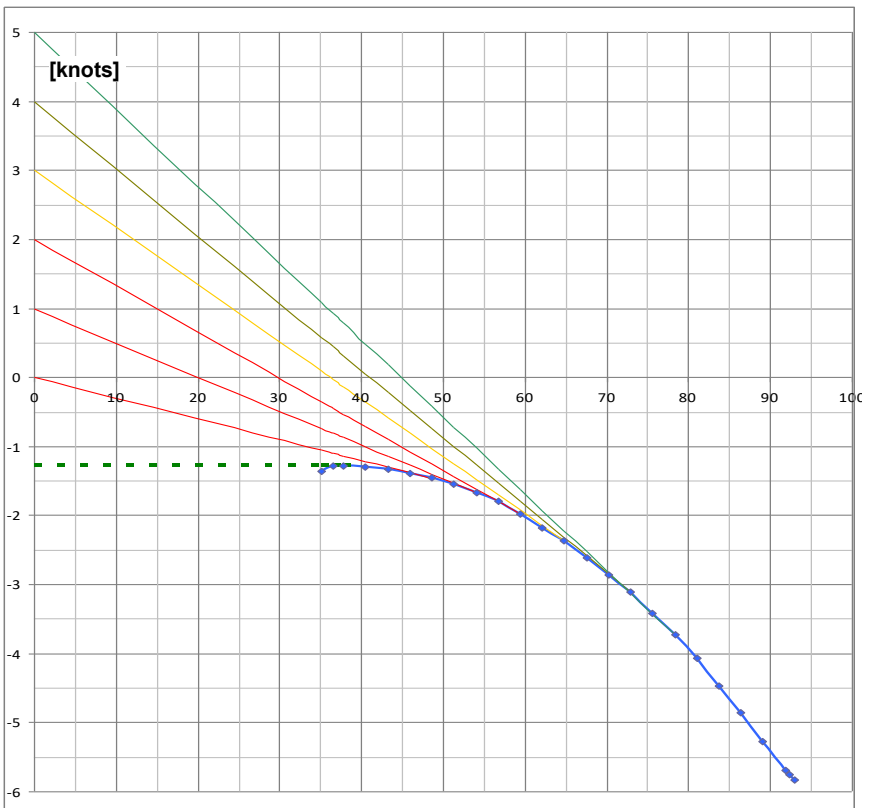
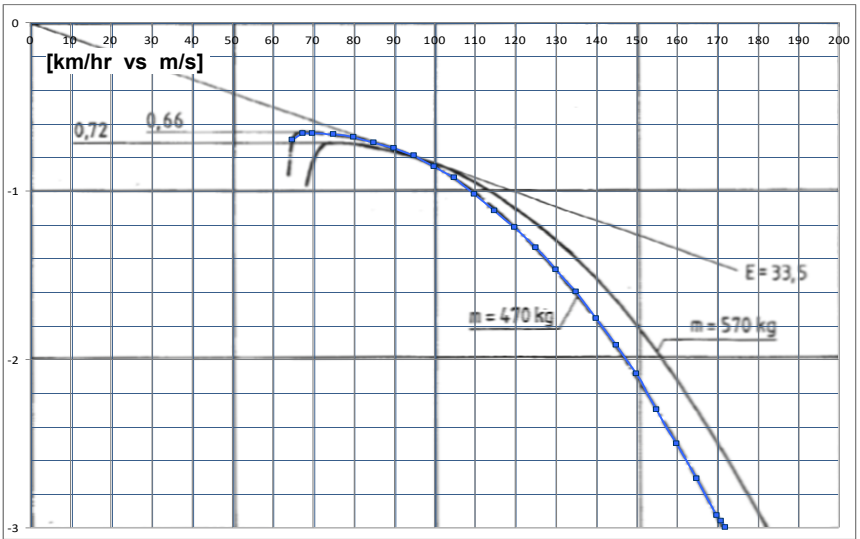
### Post Flight

- Spin weights removed, nut/clip stored, holes taped
- Post flight inspection, especially control surfaces

# ASK-21 Polar, Dual



# ASK-21 Polar, Solo





# Skyline Soaring DiscusCS Cockpit Guide

## N520RJ (9Y)

KFRR (Front Royal) 123.0 / wx 121.850	KOKV (Winchester) 122.975 / wx 124.85
FBO: 540-635-5370	AWOS: 540-635-5377
Skyline Ground 123.3	KLUA (Luray) 122.8 / wx 118.275
Potomac Approach 120.45	8W2 (New Market) 122.8 / wx 118.175
	KSHD (Shenandoah) 123.0 / wx 124.925

Before Takeoff Checklists			Before Landing
A BB CCCC DDD E	or	CB SWIFTT CCBE	FUBSTALL
<b>A - Altimeter</b>  <b>B - Ballast</b> <b>B - Belts</b>  <b>C - Controls, Flaps, Trim</b> <b>C - Comm</b> <b>C - Connect Towrope</b> <b>C - Canopy</b>  <b>D - Dolly</b> <b>D - Dive Brakes</b> <b>D - Direction of Wind</b>  <b>E - Emergency Plan</b>	or	<b>C - Controls</b> <b>B - Ballast</b>  <b>S - Straps</b> <b>W - Winds</b> <b>I - Instruments</b> <b>F - Flaps</b> <b>T - Trim</b> <b>T - Tail Dolly</b>  <b>C - Connect Towrope</b> <b>C - Canopy</b> <b>B - Brakes</b> <b>E - Emergency Plan</b>	<b>F - Flaps</b> <b>U - Undercarriage</b>  <b>B - Ballast</b>  <b>S - Speed</b>  <b>T - Trim</b>  <b>A - Airbrakes</b>  <b>L - Lookout</b>  <b>L - Landing</b>
<b>Final Check – Canopy, Spoilers, Dolly</b>			

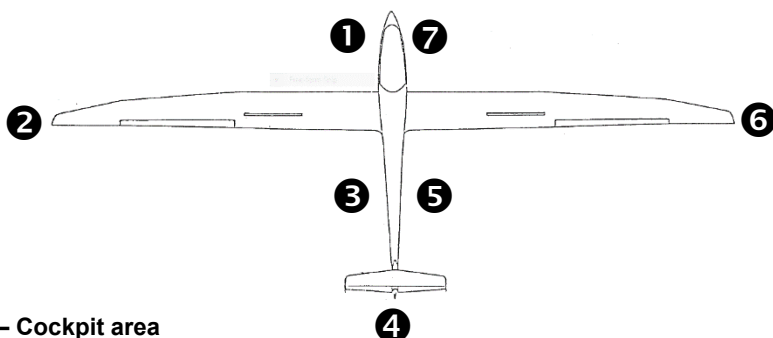
<b>Stall</b>	<b>31-34 kts</b>
<b>Stall Heavy</b>	<b>45-48 kts</b>
<b>Min Sink</b>	<b>42 kts</b>
<b>Final Appch</b>	<b>51+ kts</b>
<b>Final Heavy</b>	<b>62+ kts</b>
<b>Best L/D</b>	<b>54 kts</b>
<b>Pattern</b>	<b>55+ kts</b>
<b>Max Aero Tow</b>	<b>97 kts</b>
<b>Maneuvering</b>	<b>108 kts</b>
<b>Never Exceed</b>	<b>135 kts</b>
<b>G Limits @Va</b>	<b>+5.3~-2.65</b>
<b>G Limits @Vne</b>	<b>+4.0~-1.5</b>
<b>Pilot + Chute Wt</b>	<b>162-242</b>
SSC recommended min 174	
<b>Max Tested XW</b>	<b>11 kts</b>

<b>Speed to Fly (knots):</b>	<i>[no water ballast]</i>						
<b>Sink (K)</b>	<u>0</u>	<u>1</u>	<u>2</u>	<u>3</u>	<u>4</u>	<u>5</u>	
<b>Airspeed</b>	54	58	68	75	85	85	
<b>Glider Sink</b>	1.2	1.3	2.0	2.3	2.9	2.9	
<b>Total Sink</b>	1.2	2.3	4.0	5.3	6.9	7.9	
<b>Glide Ratio</b>	43	24	18	14	12	11	

<b>Min Sink Speed by Bank Angle:</b>					
<u>0 deg</u>	<u>15 deg</u>	<u>30 deg</u>	<u>45 deg</u>	<u>60 deg</u>	
43	44	46	51	61	

<b>Never Exceed Speed (Vne) by Altitude:</b>					
<u>10K</u>	<u>15 K</u>	<u>20 K</u>	<u>25 K</u>	<u>30 K</u>	
135	133	123	113	104	

## Daily Inspection / Pre-Flight Checklist



### 1 – Cockpit area

- Canopy condition, latches operable
- Spar Pin Installed
- Oxygen Pressure Checked
- Battery secure, radio and instruments operable
- Seat back adjusted and secured
- Check for foreign bodies or loose items
- Documents in place
- Flight controls free, clear, proper movement against load
- Release mechanisms engage, release, cables return
- Main tire 50 psi, wheel brake engages and effective

### 2 – Left wing

- Upper and lower surfaces free of damage, no fore/aft play
- Aileron condition, full travel
- Airbrake condition, travel, fit, and locking
- Winglet Secure

### 3 – Fuselage

- Check for damage, especially bottom
- Static ports (front and rear)

### 4 – Tail

- Tailplane properly assembled and secure, taped
- Total Energy Probe Installed
- Rudder properly assembled and secured, cables connected
- Tail wheel 28 psi

### 5 – Fuselage: same as (3)

### 6 – Right Wing: same as (2)

### 7 – Cockpit area: complete exterior inspection



# Skyline Soaring DiscusCS Cockpit Guide

**N520RJ  
(9Y)**

## Rigging / Derigging Checklist

### Setup Prep

- Trailer in location where assembly will not block other aircraft
- Trailer chocked, brake on, clamshell open, aft door down in contact
- Pull ramp out, fold center rail into place
- Tail boom unlashed , lifting strap available
- Wing dolly and wing stand assembled and ready
- Wipe clean and grease all wing and fuselage attach fittings & control fittings

### Position Fuselage

- Roll fuselage out until tail wheel is at end of ramp
- Use lifting strap, lift tail boom, roll out until fuselage dolly at end of ramp
- Open canopy, remove rigging tool, screw into vertical tail assembly hole
- Confirm spoilers are closed but unlocked, dump valve closed (forward)
- Clean and lubricate main spar pin
- Remove strap securing fuselage to dolly

### Mate Wings to Fuselage

- Position wing dolly parallel to fuselage at trailing edge of left wing fairing
- Lift and walk left wing out until it can be lowered into wing dolly
- Bend in leading edge of wing (fill port) should be just outside dolly cradle
- Position wing so spar lines up with hole, rotate cradle level, insert spar end
- Clean & lubricate both sides of fittings – 2 lift pins, spar end pins, main pin hole
- Align wing and push into place, insert main spar pin 1", handle towards left
- Put wing stand under left wing, reposition dolly and repeat for right wing
- When both wings are seated, insert main spar pin fully, safety clip end

### Attach Horizontal Stabilizer

- Clean and lubricate all fittings
- Insert aft edge of horizontal stabilizer against elevator control pins
- Pull on rigging tool, press down on leading edge until pin seats
- Remove rigging tool
- Install TE probe

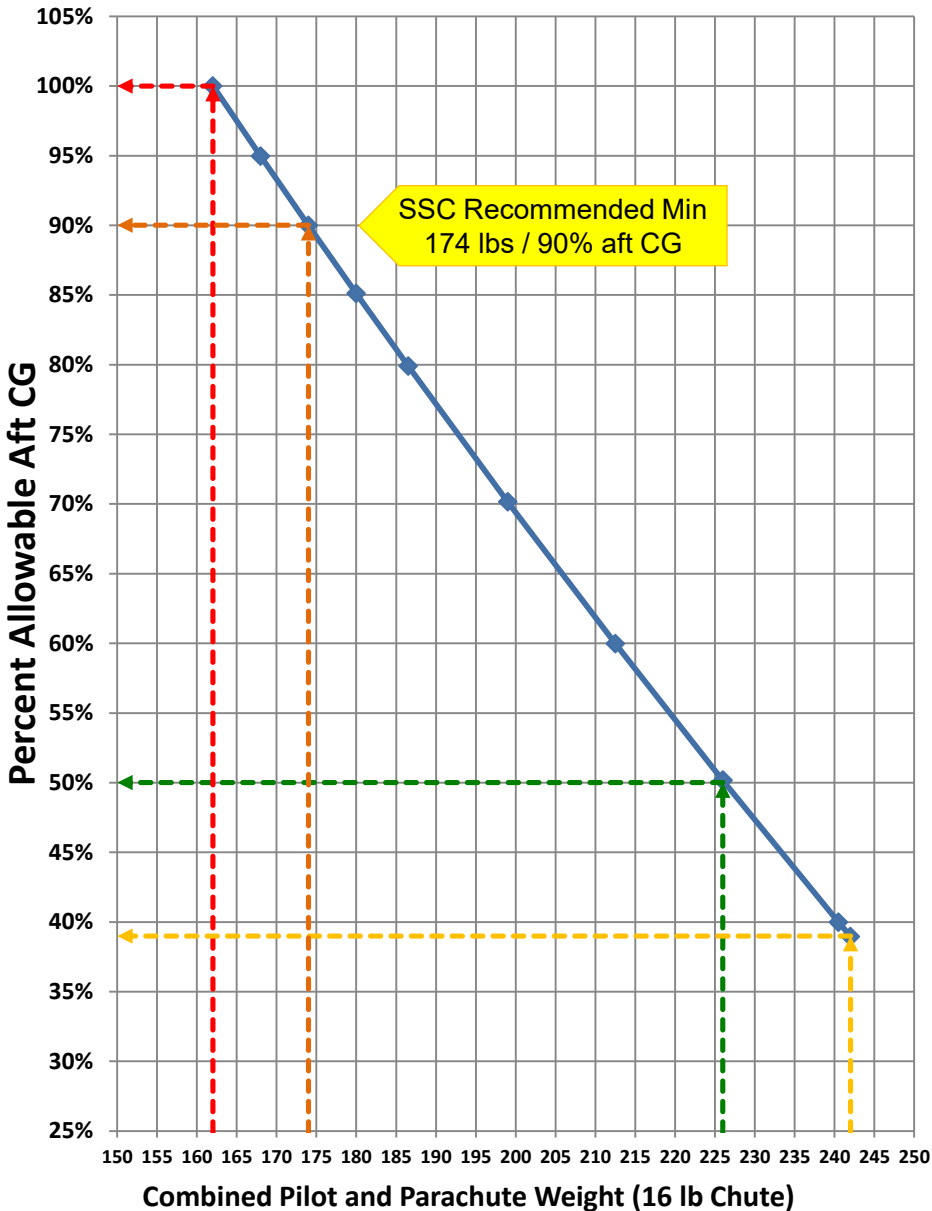
### Landing Gear

- Ensure fuselage dolly clear of gear door
- Crank ramp jackscrews to raise fuselage dolly enough for gear to extend
- Actuate landing gear handle to full forward position, confirm down & locked
- Remove tail stand and wing dollies or stands
- Lower ramp and fuselage dolly until weight is supported on gear

### Final Prep

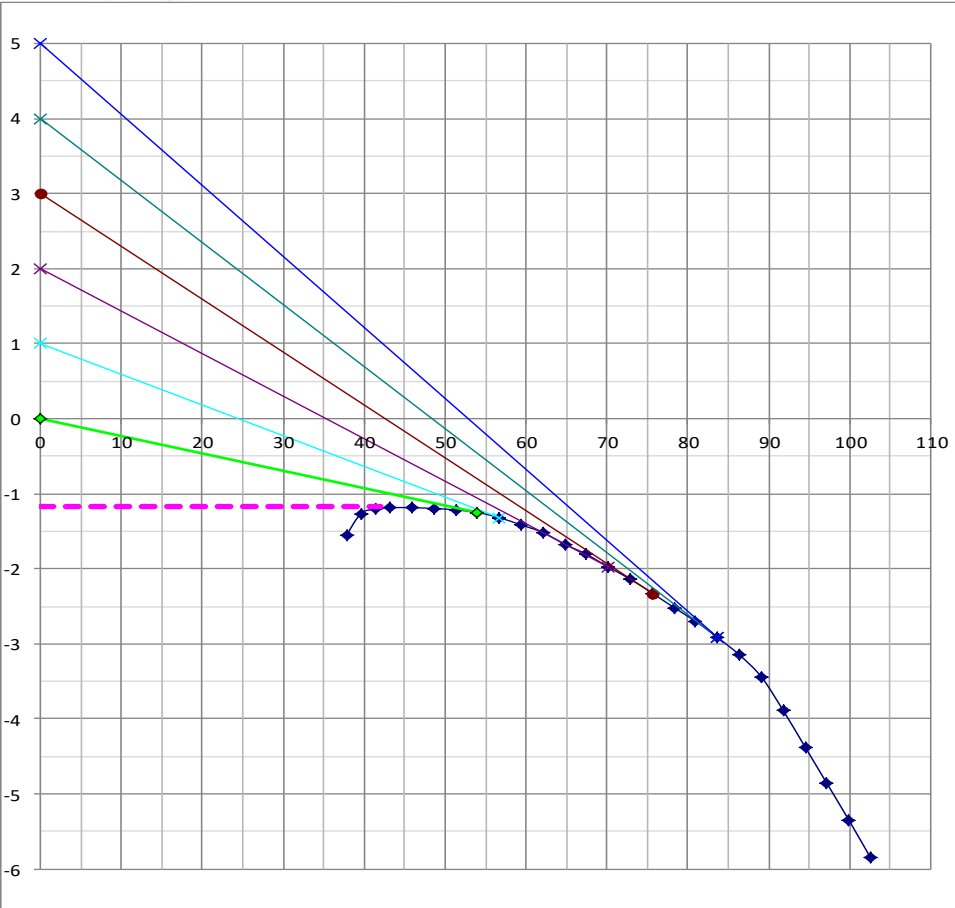
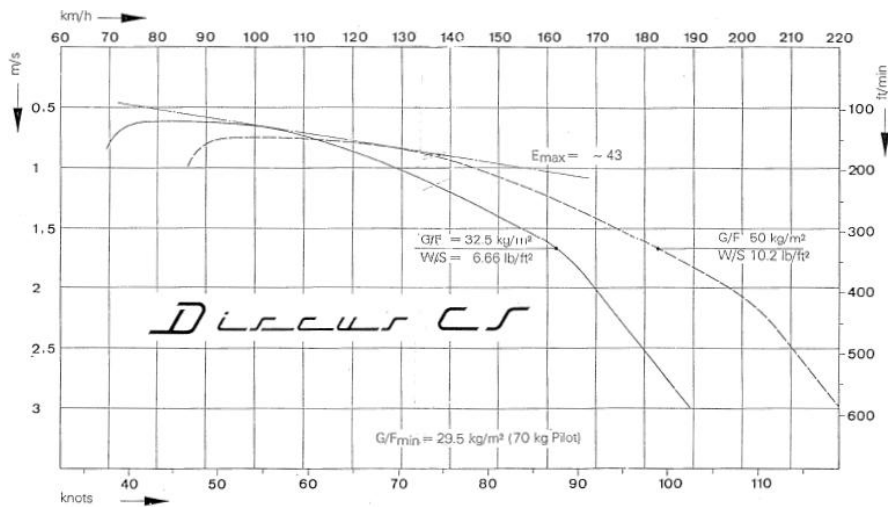
- Remove original wingtips, replace with winglet tips using rigging tool.
- Tape wing roots, wing tips, horizontal tail and tool hole
- Ensure parachute is in cockpit, rigging tool in side pocket
- Check required paperwork in cockpit
- Install and secure charged batteries, confirm radio and variometer work
- Lower ramp until weight is entirely on gear, roll glider clear
- Put equipment and ramp back in trailer and secure trailer
- Independent final assembly check – spar pin and clip, batteries secure, flight controls connected, canopy locks, release functional, brake functional
- Positive Control Check completed
- Canopy in place and properly secured

# Discus CS N520RJ Loading Graph (19 May 2021) With Oxygen Bottle, No Wing or Tail Water Ballast



May 2021 Weight and Balance  
Empty Weight = 554 lbs  
Empty Moment = 14,148.0 in-lbs  
Empty CG = 25.5 in

# Discus CS Polar (no ballast)





# Skyline Soaring DiscusCS Cockpit Guide

## N325AD (FW)

KFRR (Front Royal) 123.0 / wx 121.850	KOKV (Winchester) 122.975 / wx 124.85
FBO: 540-635-5370	AWOS: 540-635-5377
Skyline Ground 123.3	KLUA (Luray) 122.8 / wx 118.275
Potomac Approach 120.45	8W2 (New Market) 122.8 / wx 118.175
	KSHD (Shenandoah) 123.0 / wx 124.925

Before Takeoff Checklists			Before Landing
A BB CCCC DDD E	or	CB SWIFTT CCBE	FUBSTALL
<b>A - Altimeter</b>  <b>B - Ballast</b> <b>B - Belts</b>  <b>C - Controls, Flaps, Trim</b> <b>C - Comm</b> <b>C - Connect Towrope</b> <b>C - Canopy</b>  <b>D - Dolly</b> <b>D - Dive Brakes</b> <b>D - Direction of Wind</b>  <b>E - Emergency Plan</b>	or	<b>C - Controls</b> <b>B - Ballast</b>  <b>S - Straps</b> <b>W - Winds</b> <b>I - Instruments</b> <b>F - Flaps</b> <b>T - Trim</b> <b>T - Tail Dolly</b>  <b>C - Connect Towrope</b> <b>C - Canopy</b> <b>B - Brakes</b> <b>E - Emergency Plan</b>	<b>F - Flaps</b> <b>U - Undercarriage</b>  <b>B - Ballast</b>  <b>S - Speed</b>  <b>T - Trim</b>  <b>A - Airbrakes</b>  <b>L - Lookout</b>  <b>L - Landing</b>
<b>Final Check – Canopy, Spoilers, Dolly</b>			

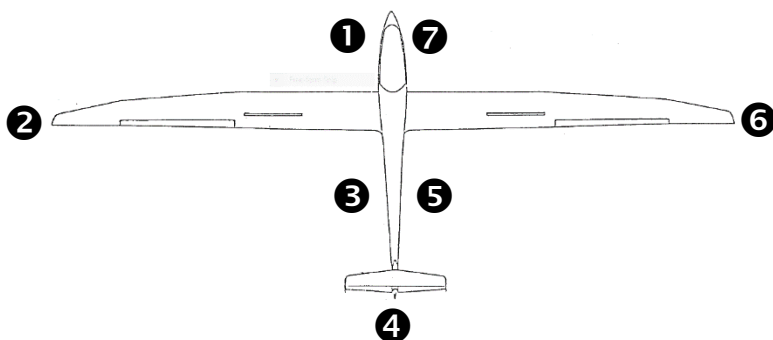
<b>Stall</b>	<b>31-34 kts</b>
<b>Stall Heavy</b>	<b>45-48 kts</b>
<b>Min Sink</b>	<b>42 kts</b>
<b>Final Appch</b>	<b>51+ kts</b>
<b>Final Heavy</b>	<b>62+ kts</b>
<b>Best L/D</b>	<b>54 kts</b>
<b>Pattern</b>	<b>55+ kts</b>
<b>Max Aero Tow</b>	<b>97 kts</b>
<b>Maneuvering</b>	<b>108 kts</b>
<b>Never Exceed</b>	<b>135 kts</b>
<b>G Limits @Va</b>	<b>+5.3~-2.65</b>
<b>G Limits @Vne</b>	<b>+4.0~-1.5</b>
<b>Pilot + Chute Wt</b>	<b>154-242</b>
See loading chart for ballast	
<b>Max Tested XW</b>	<b>11 kts</b>

<b>Speed to Fly (knots):</b>	<i>[no water ballast]</i>						
<b>Sink (K)</b>	<u>0</u>	<u>1</u>	<u>2</u>	<u>3</u>	<u>4</u>	<u>5</u>	
<b>Airspeed</b>	54	58	68	75	85	85	
<b>Glider Sink</b>	1.2	1.3	2.0	2.3	2.9	2.9	
<b>Total Sink</b>	1.2	2.3	4.0	5.3	6.9	7.9	
<b>Glide Ratio</b>	43	24	18	14	12	11	

<b>Min Sink Speed by Bank Angle:</b>					
<u>0 deg</u>	<u>15 deg</u>	<u>30 deg</u>	<u>45 deg</u>	<u>60 deg</u>	
43	44	46	51	61	

<b>Never Exceed Speed (Vne) by Altitude:</b>					
<u>10K</u>	<u>15 K</u>	<u>20 K</u>	<u>25 K</u>	<u>30 K</u>	
135	133	123	113	104	

## Daily Inspection / Pre-Flight Checklist



### 1 – Cockpit area

- Canopy condition, latches operable
- Spar Pin Installed
- Oxygen Pressure Checked
- Battery secure, radio and instruments operable
- Seat back adjusted and secured
- Ballast plates proper and secured
- Check for foreign bodies or loose items
- Documents in place
- Flight controls free, clear, proper movement against load
- Release mechanisms engage, release, cables return
- Main tire 50 psi, wheel brake engages and effective

### 2 – Left wing

- Upper and lower surfaces free of damage, no fore/aft play
- Aileron condition, full travel
- Airbrake condition, travel, fit, and locking
- Winglet Secure

### 3 – Fuselage

- Check for damage, especially bottom
- Static ports (front and rear)

### 4 – Tail

- Tailplane properly assembled and secure, taped
- Total Energy Probe Installed
- Rudder properly assembled and secured, cables connected
- Tail wheel 28 psi

### 5 – Fuselage: same as (3)

### 6 – Right Wing: same as (2)

### 7 – Cockpit area: complete exterior inspection



# Skyline Soaring DiscusCS Cockpit Guide

## N325AD (FW)

### Rigging / Derigging Checklist

#### Setup Prep

- Trailer in location where assembly will not block other aircraft
- Trailer chocked, brake on, clamshell open, aft door down in contact
- Pull ramp out, fold center rail into place, fit tail ramp extension
- Tail boom unlashed
- Wing dolly and wing stand assembled and ready
- Wipe clean and grease all wing and fuselage attach fittings & control fittings

#### Position Fuselage

- Roll fuselage out until tail wheel on ground and fuselage dolly at end of ramp
- Remove tail wheel ramp
- Open canopy, remove rigging tool, screw into vertical tail assembly hole
- Confirm spoilers are closed but unlocked, dump valve closed (forward)
- Clean and lubricate main spar pin
- Remove strap securing fuselage to dolly

#### Mate Wings to Fuselage

- Position wing dolly parallel to fuselage at trailing edge of left wing fairing
- Lift and walk left wing out until it can be lowered into wing dolly
- Bend in leading edge of wing (fill port) should be just outside dolly cradle
- Position wing so spar lines up with hole, rotate cradle level, insert spar end
- Clean & lubricate both sides of fittings – 2 lift pins, spar end pins, main pin hole
- Align wing and push into place, insert main spar pin 1", handle towards left
- Put wing stand under left wing, reposition dolly and repeat for right wing
- When both wings are seated, insert main spar pin fully, safety clip end

#### Attach Horizontal Stabilizer

- Clean and lubricate all fittings
- Insert aft edge of horizontal stabilizer against elevator control pins
- Pull on rigging tool, press down on leading edge until pin seats
- Remove rigging tool
- Install TE probe and pitot head

#### Landing Gear

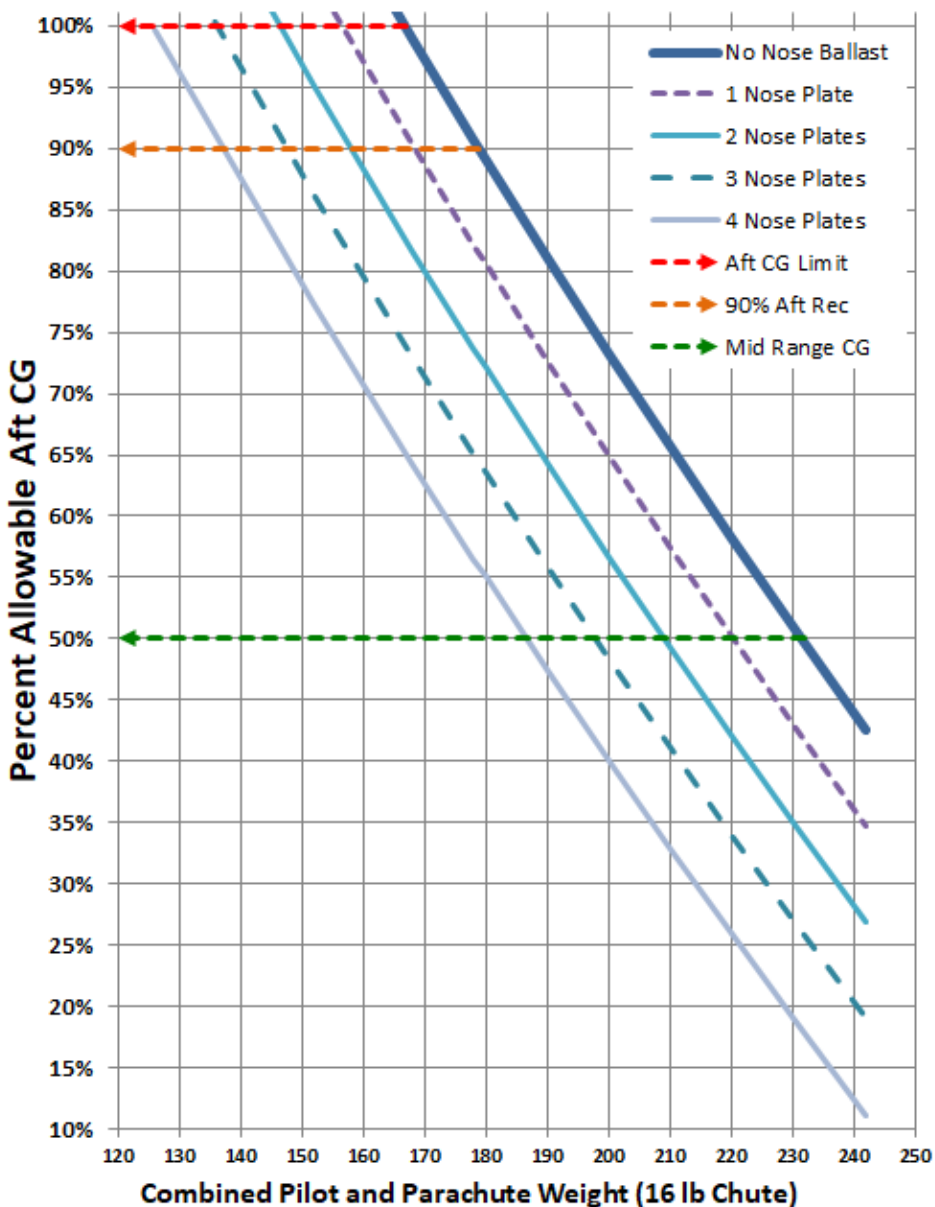
- Ensure fuselage dolly clear of gear door
- Crank ramp jackscrews to raise fuselage dolly enough for gear to extend
- Actuate landing gear handle to full forward position, confirm down & locked
- Remove tail stand and wing dollies or stands
- Lower ramp and fuselage dolly until weight is supported on gear

#### Final Prep

- Remove original wingtips, replace with winglet tips using rigging tool.
- Tape wing roots, wing tips, horizontal tail and tool hole
- Ensure parachute is in cockpit, rigging tool in side pocket
- Check required paperwork in cockpit
- Install and secure charged batteries, confirm radio and variometer work
- Lower ramp until weight is entirely on gear, roll glider clear
- Put equipment and ramp back in trailer and secure trailer
- Independent final assembly check – spar pin and clip, batteries secure, flight controls connected, canopy locks, release functional, brake functional
- Positive Control Check completed
- Canopy in place and properly secured

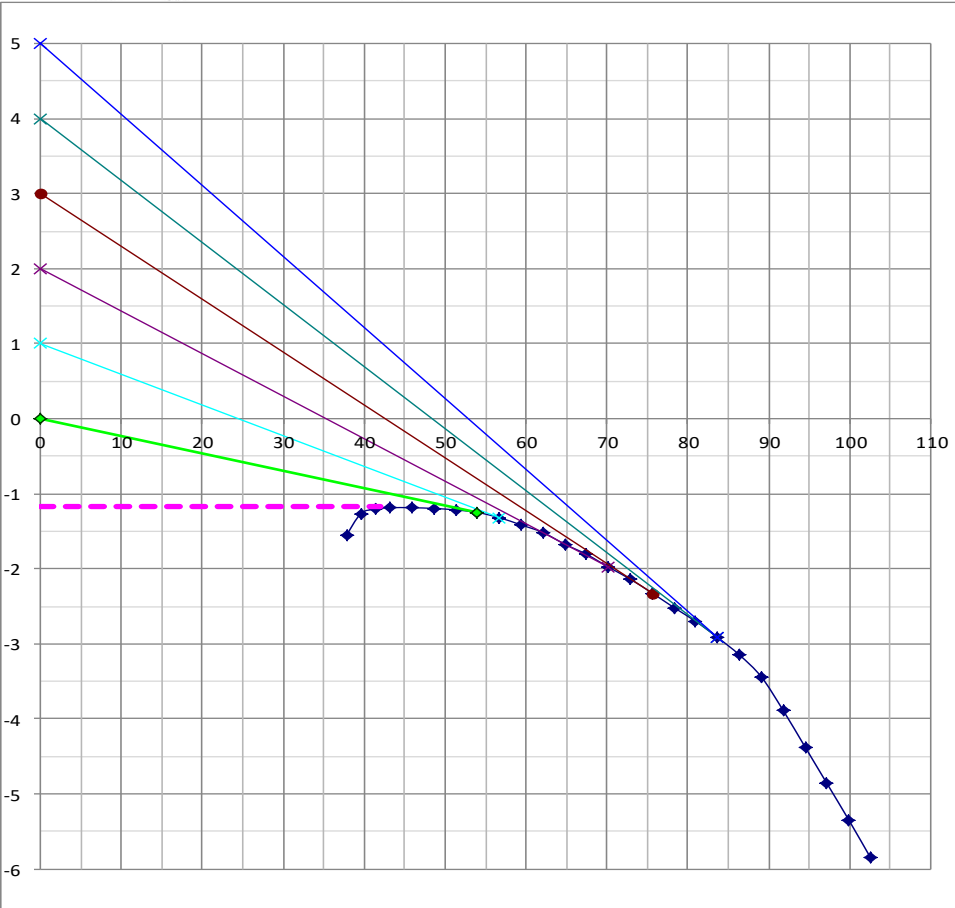
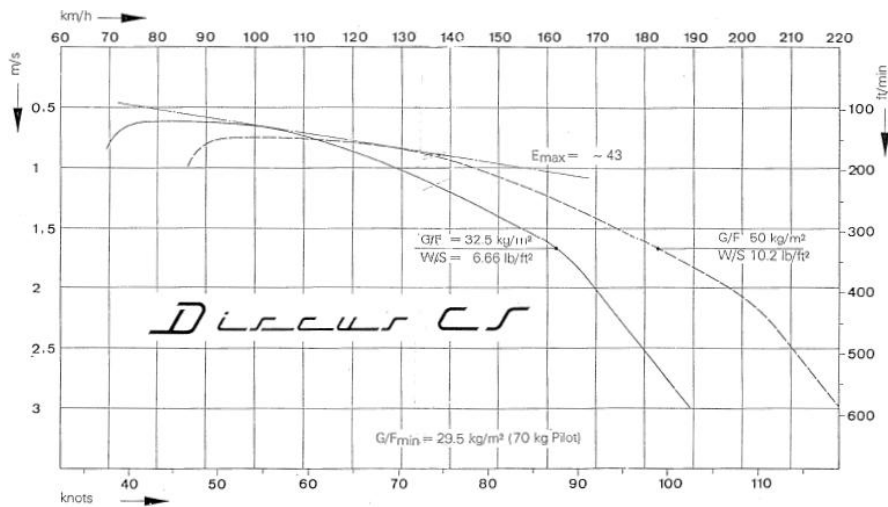
# Discus CS N325AD Loading Graph (11 Oct 2023)

No Oxygen Bottle, No Water Ballast



Oct 2023 Weight and Balance  
Empty Weight = 554.0 lbs  
Empty Moment = 14,308.0 in-lbs  
Empty CG = 25.8 in

# Discus CS Polar (no ballast)







# Skyline Soaring PW-5 Cockpit Guide

## N505CC

KFRR (Front Royal)	123.0 / wx 121.850	KOKV (Winchester)	122.975 / wx 124.85
FBO: 540-635-5370	AWOS: 540-635-5377	KLUA (Luray)	122.8 / wx 118.275
Skyline Ground	123.3	8W2 (New Market)	122.8 / wx 118.175
Potomac Approach	120.45	KSHD (Shenandoah)	123.0 / wx 124.925

Before Takeoff Checklists			Before Landing
A BB CCCC DDD E	or	CB SWIFTT CCBE	FUSTALL
<b>A - Altimeter</b>  <b>B - Ballast</b> <b>B - Belts</b>  <b>C - Controls, Flaps, Trim</b> <b>C - Comm</b> <b>C - Connect Towrope</b> <b>C - Canopy</b>  <b>D - Dolly</b> <b>D - Dive Brakes</b> <b>D - Direction of Wind</b>  <b>E - Emergency Plan</b>		<b>C - Controls</b> <b>B - Ballast</b>  <b>S - Straps</b> <b>W - Winds</b> <b>I - Instruments</b> <b>F - Flaps</b> <b>T - Trim</b> <b>T - Tail Dolly</b>  <b>C - Connect Towrope</b> <b>C - Canopy</b> <b>B - Brakes</b> <b>E - Emergency Plan</b>	<b>F - Flaps</b>  <b>U - Undercarriage</b>  <b>S - Speed</b>  <b>T - Trim</b>  <b>A - Airbrakes</b>  <b>L - Lookout</b>  <b>L - Landing</b>
<b>Final Check – Canopy, Spoilers</b>			

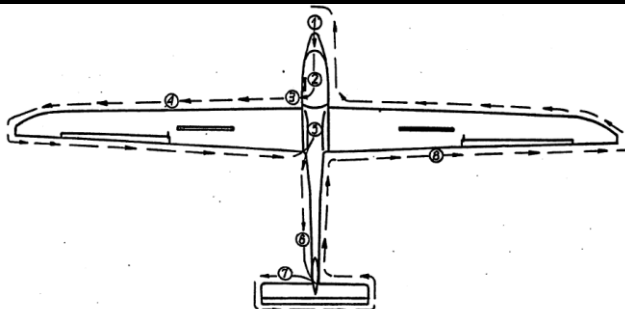
<b>Stall</b>	<b>26-36 kts</b>
<b>Min Sink</b>	<b>43 kts</b>
<b>Final Appch</b>	<b>51+ kts</b>
<b>Best L/D</b>	<b>48 kts</b>
<b>Pattern</b>	<b>55+ kts</b>
<b>Max Winch</b>	<b>65 kts</b>
<b>Max Aero Tow</b>	<b>81 kts</b>
<b>Maneuvering</b>	<b>81 kts</b>
<b>Never Exceed</b>	<b>121 kts</b>
<b>G Limits @Va</b>	<b>+5.3~-2.65</b>
<b>G Limits @Vne</b>	<b>+4.0~-1.5</b>
<b>Pilot Weight</b>	<b>130-223 lb</b>
( see loading chart )	
<b>Max Crosswind</b>	<b>12 kts</b>

<b>Speed to Fly (knots):</b> <i>[no water ballast]</i>							
Sink (K)	<u>0</u>	<u>1</u>	<u>2</u>	<u>3</u>	<u>4</u>	<u>5</u>	
Airspeed	48	55	60	65	68	70	
Glider Sink	1.5	1.9	2.1	2.5	2.7	2.9	
Total Sink	1.5	1.9	4.1	5.5	6.7	7.9	
Glide Ratio	32	19	14	12	10	9	

<b>Min Sink Speed by Bank Angle:</b>					
<u>0 deg</u>	<u>15 deg</u>	<u>30 deg</u>	<u>45 deg</u>	<u>60 deg</u>	
43	44	46	51	61	

<b>Never Exceed Speed (Vne) by Altitude:</b>					
<u>SL</u>	<u>10 K</u>	<u>15 K</u>	<u>20 K</u>	<u>25 K</u>	
121	121	112	103	94	

### Daily Inspection / Pre-Flight Checklist



- 1 – Front fuselage condition, pressure ports clear
- 2 – Cockpit area
  - Canopy condition, latches operable
  - Wing connection bolts inserted and secured
  - Instruments condition and connections
  - Check controls – elevator, rudder, aileron - deflection, play, friction
  - Check air brake – full extension and locks closed
  - Check trim operations
  - Check operation of front and CG hooks
  - Cable end connections for release, pedal adjust, canopy jettison
  - Remove unsecured items
  - Safety belts, back rest, cushions
- 3 – Pneumatics and wheels – pressure, movement, brake, shocks
  - 50 psi main, 30 psi nose wheel
- 4 – Wings
  - Check condition top and bottom, leading and trailing edges
  - Aileron surfaces, suspension, play, deflection, friction
  - Airbrake condition, play, extension, retraction, cap fit
- 5 – Check control connections – ailerons and airbrakes, then tape cover
- 6 – Rear fuselage
  - Fuselage condition, especially bottom and tail skid
  - Rudder and fabric condition, upper hinge and cable fitting secure
- 7 – Tailplane fitting, securing, surface condition
  - Elevator condition, deflection, play, friction
- 8 – Right Wing: same as (4)

### Rigging / Derigging Checklist

#### Setup Prep

- Trailer in location where assembly will not block other aircraft
- Trailer chocked, brake on, door open, jack stands in place
- Tail boom unlashed, lifting strap available
- Wing stand assembled and ready
- Wipe clean and grease all wing and fuselage attach fittings & control fittings

#### Position Fuselage

- Position fuselage in support cradle
- Open canopy
- Put airbrake cockpit lever full aft
- Open fuselage inspection hatch

#### Mate Wings to Fuselage

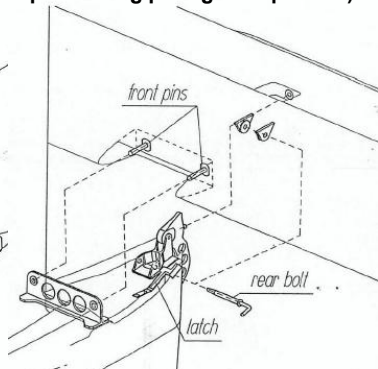
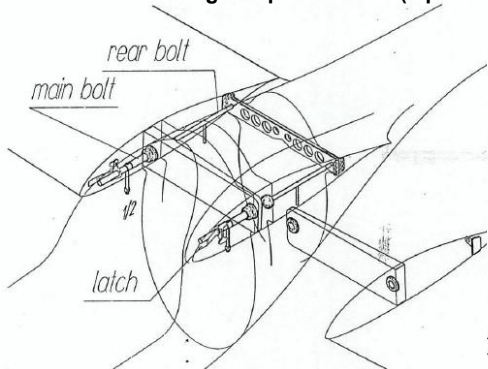
- Position right wing so spar lines up with hole, insert spar end
- Fit together wing and fuselage fittings
- Insert right-hand main bolt to 1/2 location (bolt lever locate in grip)
- Insert left-hand main bolt to 1/2 location
- Insert right rear bolt to stop
- Caution – Bolts shall be inserted by hand only, no tools allowed
- Support right wing tip on wing stand
- Position left wing, insert spar end, fit together wing and fuselage fittings
- Insert rear bolt to stop
- Insert left-hand main bolt to stop and secure with latch
- Insert right-hand main bolt to stop and secure with latch
- Connect control systems of ailerons and airbrakes

#### Rig the Tailplane

- Deflect rudder full right
- Fit tailplane to fuselage, engage front pins in fuselage fittings
- Insert rear bolt, by depressing latch, pull and release pin, secure latch

#### Final Checks

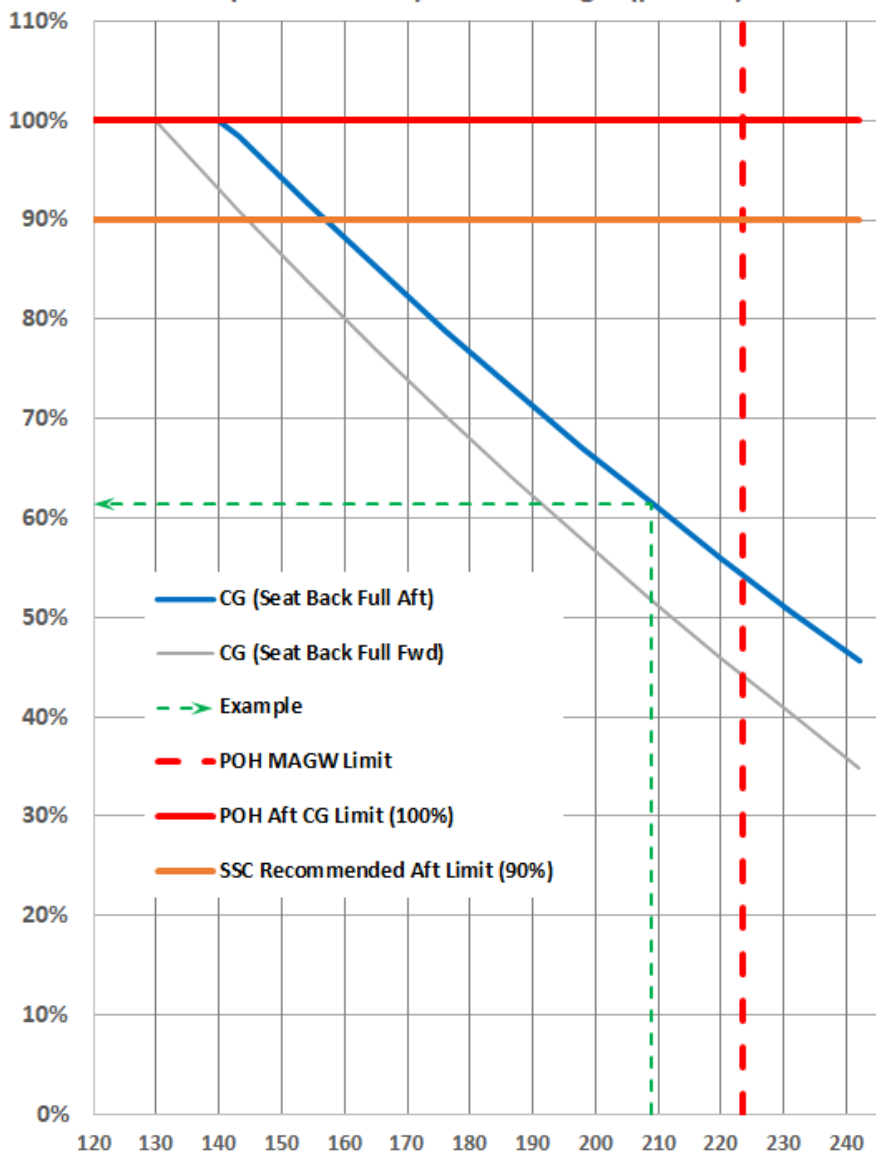
- Ensure main spar bolts are secured and latched
- Ensure rear bolt of tailplane is latched
- Check integrity of all control connections
- Close the fuselage inspection hole (tape after performing preflight inspection)



# PW-5 Weight and Balance

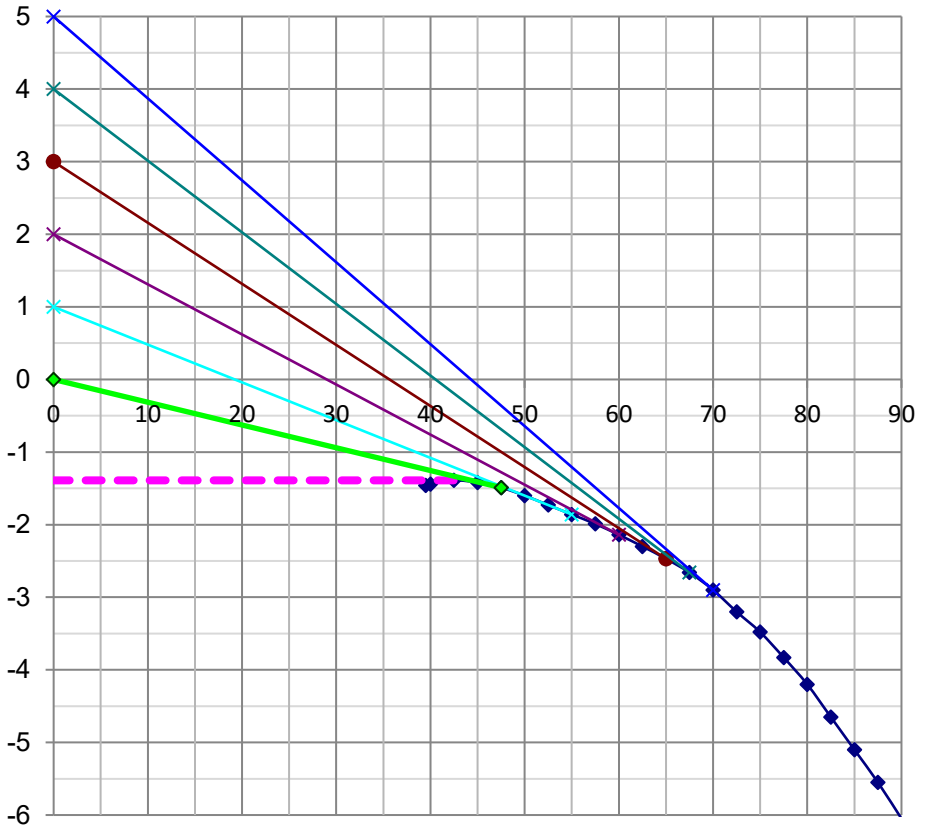
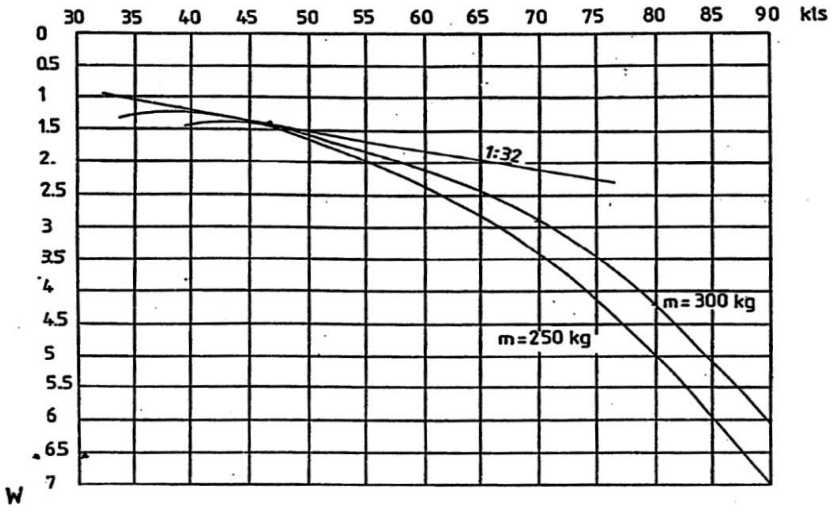
PW5 N505CC, 2 Jan 2022

CG (% aft allowed) vs Pilot Weight (pounds)



Jan 2022 Weight and Balance  
Empty Weight = 437.5 lbs  
Empty Moment = 10,594.0 in-lbs  
Empty CG = 24.2 in

# PW-5 Polar





WASHINGTON TRI-AREA TERMINAL AREA  
Pilots are encouraged to use the Baltimore-Washington WFR  
Terminal Area Chart for flights at and below 10,000.

NOTICE  
Special awareness training required within 90 NM  
of DCA VME DTE. See description in chart folder.

CAVERNS VA  
AWOS-3 118.275  
RP 6

AMPLES OF CLASS B ALTITUDES  
Floor in hundreds of feet MSL  
Floor in hundreds of feet MSL

NOTICE  
FOR REASONS OF NATIONAL  
DEFENSE, THE FOLLOWING  
AIRCRAFT ARE PROHIBITED  
FROM OPERATING IN THE  
WASHINGTON TRI-AREA CLASS B  
TERMINAL AREA:

NAME	ICAO	LAT	LON	BRG	MH	NM	COD	ELEV	FREQ	RWY	SFC	LEN	WID
Front Royal 540-635-3570	KFRR	38:55.050N	078:15.200W	000	000	0.0	A	704	123.000 w121.850	10/28	A	3007	75
River Bend	VA58	38:54.367N	078:26.667W	266	276	8.9	P	606	122.9	14/32	G	2650	60
Mulberry Run	VA17	39:02.150N	078:23.533W	318	328	9.6	P	820		06/24	G	2000	75
White Post	3VA7	39:03.756N	078:05.483W	041	051	11.5	P	610		04/22	G	2000	75
Burner	VG55	38:52.917N	078:33.467W	262	272	14.4	P	965		03/21	G	3100	100
Winchester	KOKV	39:08.617N	078:08.667W	020	030	14.5	A	726	122.975 w124.850	14/32	A	5498	100
Ayers	VA93	38:54.307N	078:39.284W	268	278	18.8	P	1340		01/19	G	2100	100
Luray Caverns	KLUA	38:40.003N	078:30.050W	218	228	19.0	A	902	122.800 w118.275	04/22	A	3126	75
High View Farm	61VA	39:14.219N	078:00.671W	030	040	22.1	P	595		03/21	G	3000	150
Franwood Farms	9VA4	38:41.457N	078:37.767W	232	242	22.2	P	990		03/21	G	1550	50
Al's Field	48VA	39:17.439N	078:21.050W	349	359	22.8	P	1120		03/21	G	1500	50
Timber Ridge Airpark	VA46	39:17.773N	078:21.734W	347	357	23.3	P	1024		09/27	D	2700	80
Sky Bryce	VG18	38:48.925N	078:46.245W	256	266	24.9	P	1267		05/23	A	2240	50
River's Edge Farm	38WV	39:19.517N	078:25.533W	342	352	25.7	P	810		06/24	G	1800	50
New Market	8W2	38:39.359N	078:42.510W	234	244	26.4	A	963	122.800 w118.175	06/24	A	2920	60
Jucapa Farms	9VG9	39:22.327N	078:18.267W	355	005	27.4	P	1160		16/34	G	1500	70
Michaels Farms	WV17	39:23.622N	078:09.390W	009	019	28.9	P	510		01/19	G	2000	90
Lost Mountain	WV06	39:17.106N	078:44.301W	314	324	31.6	P	1960		02/20	G	2650	50
Martinsburg	KMRB	39:24.141N	077:58.980W	023	033	31.6	A	565	124.300 w119.925	08/26	A	8815	150
Joe's Creek / Cub Haven	2VG3	38:32.917N	078:52.267W	233	243	36.4	P	1350		04/22	G	1400	75
Orange County VA	KOMH	38:14.832N	078:02.737W	166	176	41.4	A	464	122.800 w118.075	08/26	A	3200	75
Grant County	W99	38:59.697N	079:08.752W	277	287	41.9	A	963	122.8 w124.475	13/31	A	5000	75
Bridgewater Air Park	KVBW	38:21.919N	078:57.538W	225	235	46.8	A	1165	122.700 w119.55	15/33	A	4034	60
Shenandoah Valley	KSHD	38:15.830N	078:53.787W	218	228	49.5	A	1201	123.000 w124.925	05/23	A	6002	150