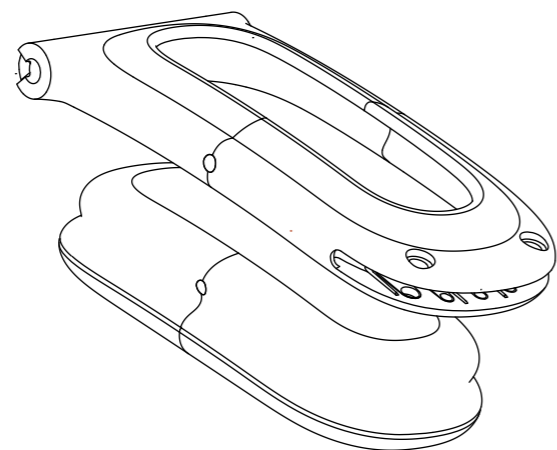


ECO	REV	DESCRIPTION	NAME	TARGET BUILD	DATE
XXXXXXXXXX	01	INITIAL RELEASE	GOOGLE PD	XXXXXXXXXX	YEARMODA

Sleeve + Pebble



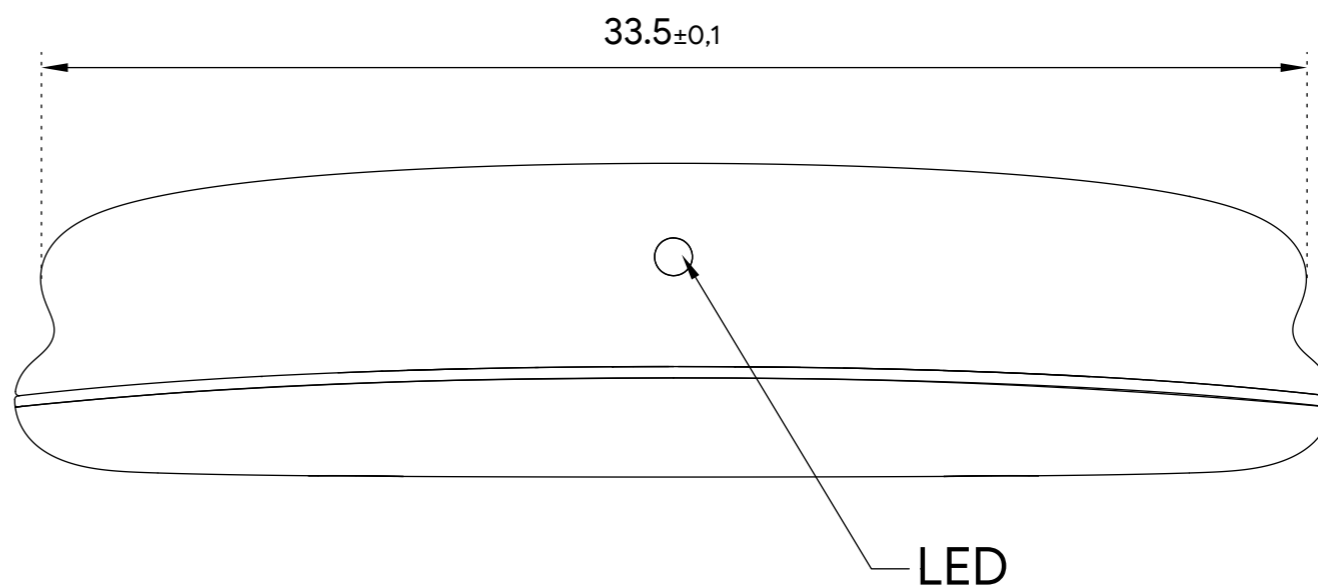
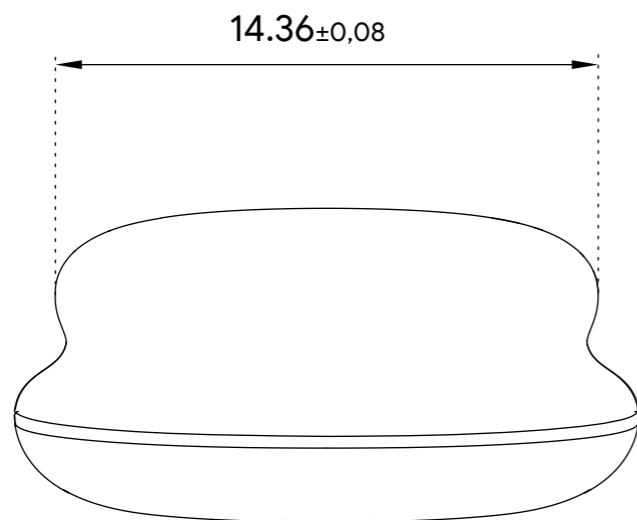
Detach force : 12~45N

Attach force: 10~25N

DESIGNER	DATE	GOOGLE LLC		
XXXXXXXXXX	YEARMODA			
UNLESS OTHERWISE SPECIFIED: DIMENSION VALUES ARE MILLIMETER OR DEGREE TOLERANCE REQUIREMENTS MAY BE FOUND IN NOTES, TABLES, SPECIFICATIONS AND AT DIMENSIONS ALL DIMENSIONS AND TOLERANCES INTERPRETED PER ASME Y14.5 - 2018 THIRD-ANGLE PROJECTION	GOOGLE LLC MOUNTAIN VIEW, CA, USA WWW.GOOGLE.COM PROPRIETARY THE INFORMATION CONTAINED IN THIS DRAWING IS THE SOLE PROPERTY OF GOOGLE LLC	TITLE: Fitbit Air / Sleeve + Pebble		
		SIZE A3	PART NUMBER:	REV: 01
		SCALE: NOT TO SCALE	SHEET 3 OF 3	

ECO	REV	DESCRIPTION	NAME	TARGET BUILD	DATE
XXXXXXXXXX	01	INITIAL RELEASE	GOOGLE PD	XXXXXXXXXX	YEARMODA

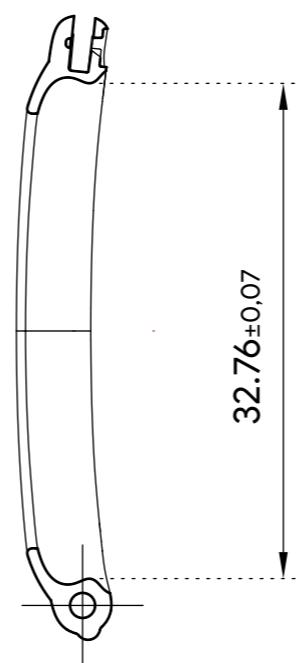
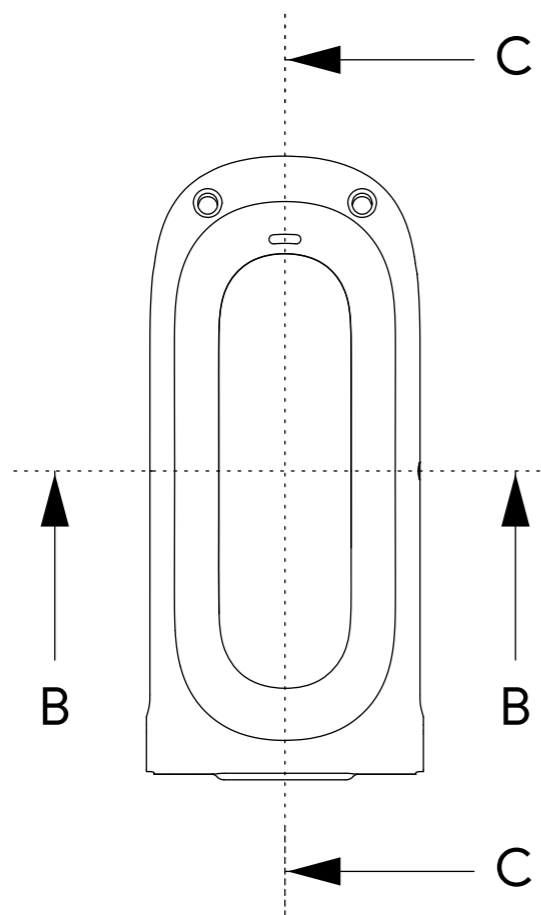
Pebble



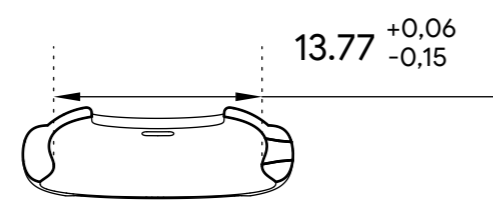
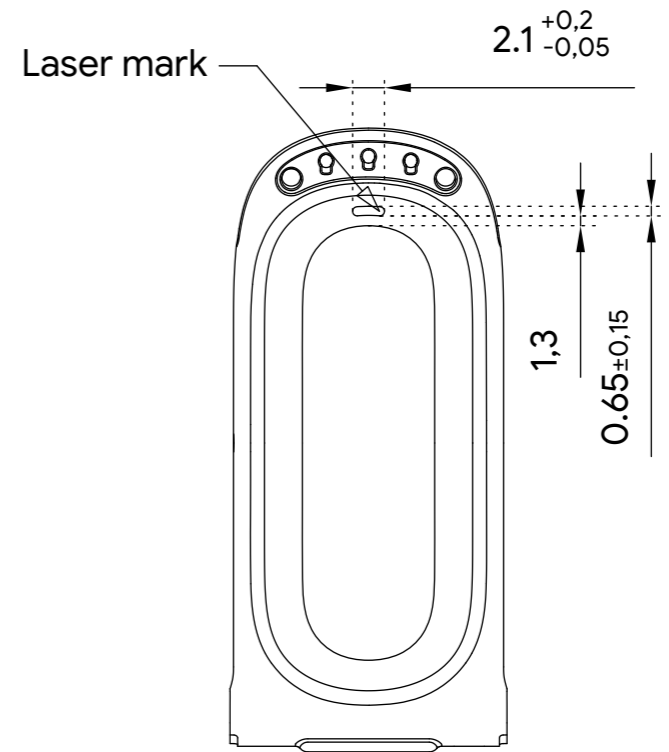
DESIGNER	DATE	GOOGLE LLC		
XXXXXXXXXX	YEARMODA			
UNLESS OTHERWISE SPECIFIED: DIMENSION VALUES ARE MILLIMETER OR DEGREE TOLERANCE REQUIREMENTS MAY BE FOUND IN NOTES, TABLES, SPECIFICATIONS AND AT DIMENSIONS ALL DIMENSIONS AND TOLERANCES INTERPRETED PER ASME Y14.5 - 2018 THIRD-ANGLE PROJECTION	GOOGLE LLC MOUNTAIN VIEW, CA, USA WWW.GOOGLE.COM PROPRIETARY THE INFORMATION CONTAINED IN THIS DRAWING IS THE SOLE PROPERTY OF GOOGLE LLC	TITLE: Fitbit Air / Pebble		
		SIZE: A3	PART NUMBER:	REV: 01
		SCALE: NOT TO SCALE	SHEET 1 OF 3	

ECO	REV	DESCRIPTION	NAME	TARGET BUILD	DATE
XXXXXXXXXX	01	INITIAL RELEASE	GOOGLE PD	XXXXXXXXXX	YEARMODA

Sleeve



SECTION C-C



SECTION B-B

DESIGNER XXXXXXXXXX	DATE YEARMODA	GOOGLE LLC		
<p>UNLESS OTHERWISE SPECIFIED: DIMENSION VALUES ARE MILLIMETER OR DEGREE</p> <p>TOLERANCE REQUIREMENTS MAY BE FOUND IN NOTES, TABLES, SPECIFICATIONS AND AT DIMENSIONS</p> <p>ALL DIMENSIONS AND TOLERANCES INTERPRETED PER ASME Y14.5 - 2018</p> <p>THIRD-ANGLE PROJECTION</p>				<p>TITLE: Fitbit Air / Sleeve</p>
<p>GOOGLE LLC MOUNTAIN VIEW, CA, USA WWW.GOOGLE.COM</p> <p>PROPRIETARY</p> <p>THE INFORMATION CONTAINED IN THIS DRAWING IS THE SOLE PROPERTY OF GOOGLE LLC</p>		SIZE A3	PART NUMBER:	REV: 01
		SCALE: NOT TO SCALE	SHEET 2 OF 3	