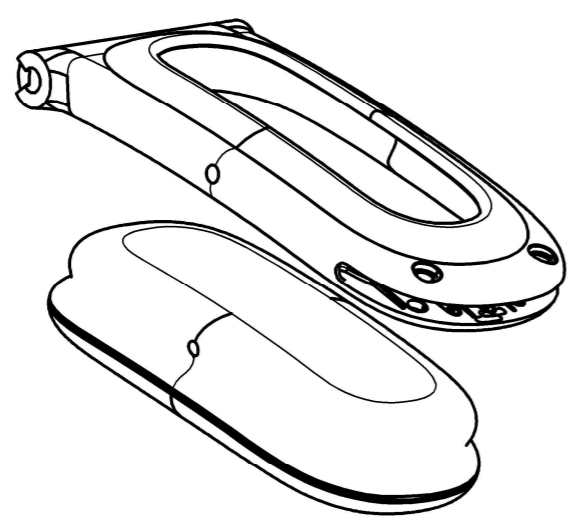


ECO	REV	DESCRIPTION	NAME	TARGET BUILD	DATE
XXXXXXXXXX	01	INITIAL RELEASE	GOOGLE PD	XXXXXXXXXX	YEARMODA

Sleeve + Pebble

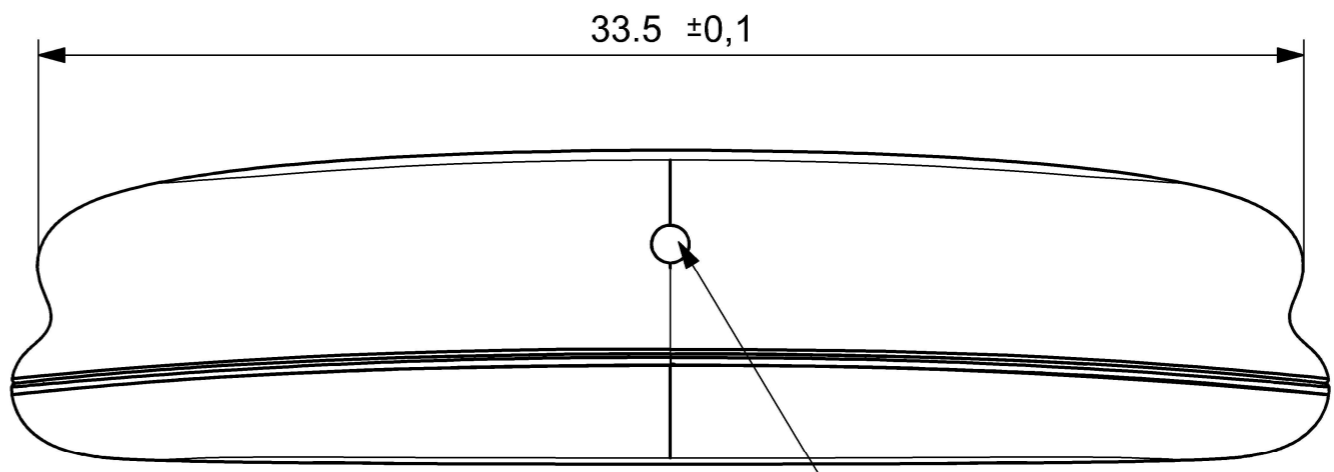
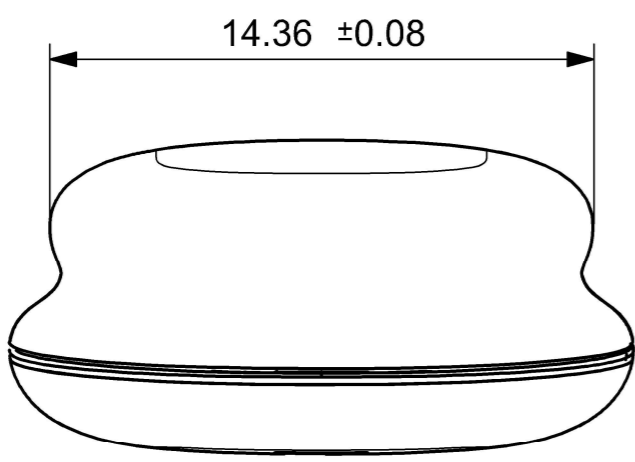


Detached force : 12~45N
 Attached force: 10~25N

DESIGNER	DATE	GOOGLE LLC		
XXXXXXXXXX	YEARMODA			
UNLESS OTHERWISE SPECIFIED: DIMENSION VALUES ARE MILLIMETER OR DEGREE TOLERANCE REQUIREMENTS MAY BE FOUND IN NOTES, TABLES, SPECIFICATIONS AND AT DIMENSIONS ALL DIMENSIONS AND TOLERANCES INTERPRETED PER ASME Y14.5 - 2018 THIRD-ANGLE PROJECTION	GOOGLE LLC MOUNTAIN VIEW, CA, USA WWW.GOOGLE.COM PROPRIETARY AND CONFIDENTIAL THE INFORMATION CONTAINED IN THIS DRAWING IS THE SOLE PROPERTY OF GOOGLE LLC ANY REPRODUCTION IN PART OR AS A WHOLE WITHOUT THE WRITTEN PERMISSION OF GOOGLE LLC IS PROHIBITED	TITLE:		
		D-0001799540		
		SIZE	PART NUMBER:	REV:
A3		01		
SCALE: NOT TO SCALE		SHEET 3 OF 3		

ECO	REV	DESCRIPTION	NAME	TARGET BUILD	DATE
XXXXXXXXXX	01	INITIAL RELEASE	GOOGLE PD	XXXXXXXX	YEARMODA

Pebble

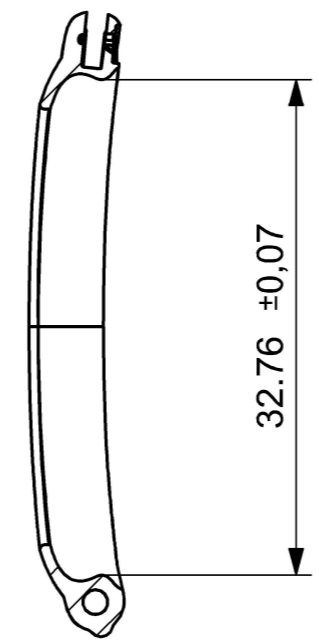
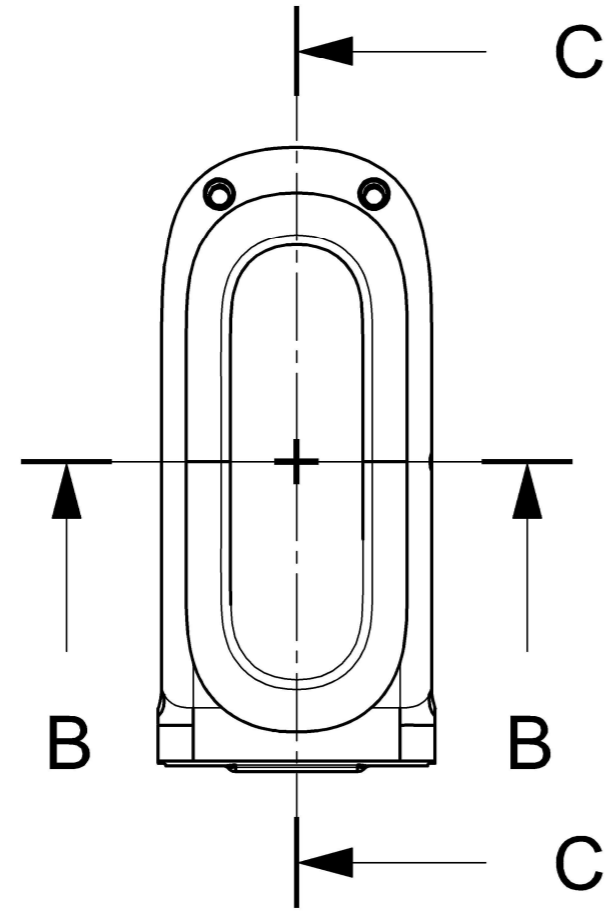


LED

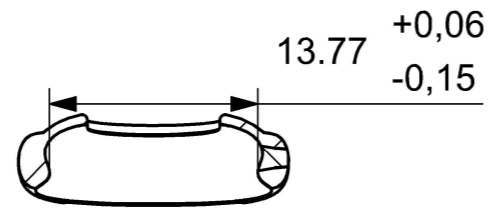
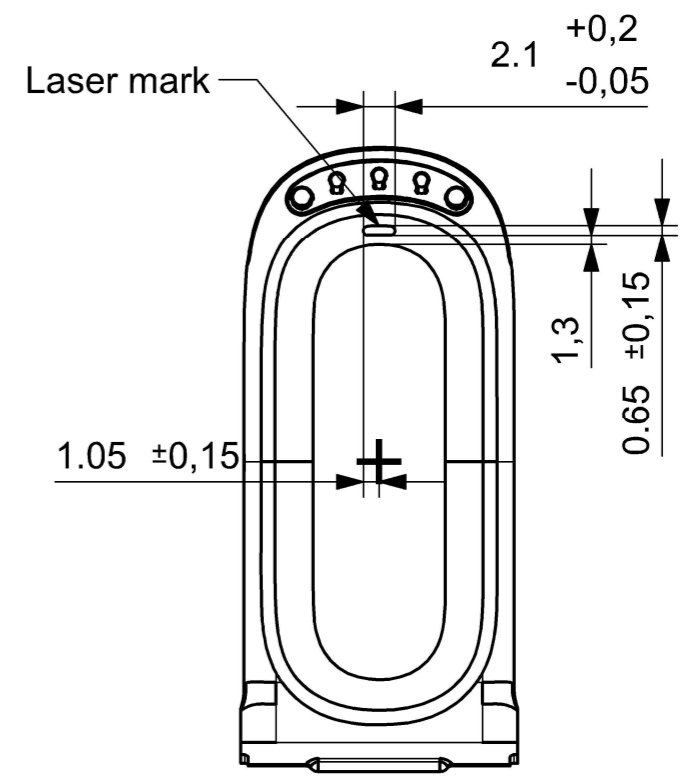
DESIGNER	DATE	GOOGLE LLC		
XXXXXXXX	YEARMODA			
<p>UNLESS OTHERWISE SPECIFIED: DIMENSION VALUES ARE MILLIMETER OR DEGREE</p> <p>TOLERANCE REQUIREMENTS MAY BE FOUND IN NOTES, TABLES, SPECIFICATIONS AND AT DIMENSIONS</p> <p>ALL DIMENSIONS AND TOLERANCES INTERPRETED PER ASME Y14.5 - 2018</p> <p>THIRD-ANGLE PROJECTION</p>	<p>GOOGLE LLC MOUNTAIN VIEW, CA, USA WWW.GOOGLE.COM</p> <p>PROPRIETARY AND CONFIDENTIAL</p> <p>THE INFORMATION CONTAINED IN THIS DRAWING IS THE SOLE PROPERTY OF GOOGLE LLC. ANY REPRODUCTION IN PART OR AS A WHOLE WITHOUT THE WRITTEN PERMISSION OF GOOGLE LLC IS PROHIBITED</p>	TITLE:		
		D-0001799540		
		SIZE	PART NUMBER:	REV:
A3		01		
SCALE: NOT TO SCALE		SHEET 1 OF 3		

ECO	REV	DESCRIPTION	NAME	TARGET BUILD	DATE
XXXXXXXXXX	01	INITIAL RELEASE	GOOGLE PD	XXXXXXXX	YEARMODA

Sleeve



SECTION C-C



SECTION B-B

DESIGNER XXXXXXXX	DATE YEARMODA	GOOGLE LLC		
UNLESS OTHERWISE SPECIFIED: DIMENSION VALUES ARE MILLIMETER OR DEGREE TOLERANCE REQUIREMENTS MAY BE FOUND IN NOTES, TABLES, SPECIFICATIONS AND AT DIMENSIONS ALL DIMENSIONS AND TOLERANCES INTERPRETED PER ASME Y14.5 - 2018 THIRD-ANGLE PROJECTION	GOOGLE LLC MOUNTAIN VIEW, CA, USA WWW.GOOGLE.COM PROPRIETARY AND CONFIDENTIAL THE INFORMATION CONTAINED IN THIS DRAWING IS THE SOLE PROPERTY OF GOOGLE LLC ANY REPRODUCTION IN PART OR AS A WHOLE WITHOUT THE WRITTEN PERMISSION OF GOOGLE LLC IS PROHIBITED	TITLE: D-0001799540		
		SIZE A3	PART NUMBER:	REV: 01
		SCALE: NOT TO SCALE		SHEET 2 OF 3