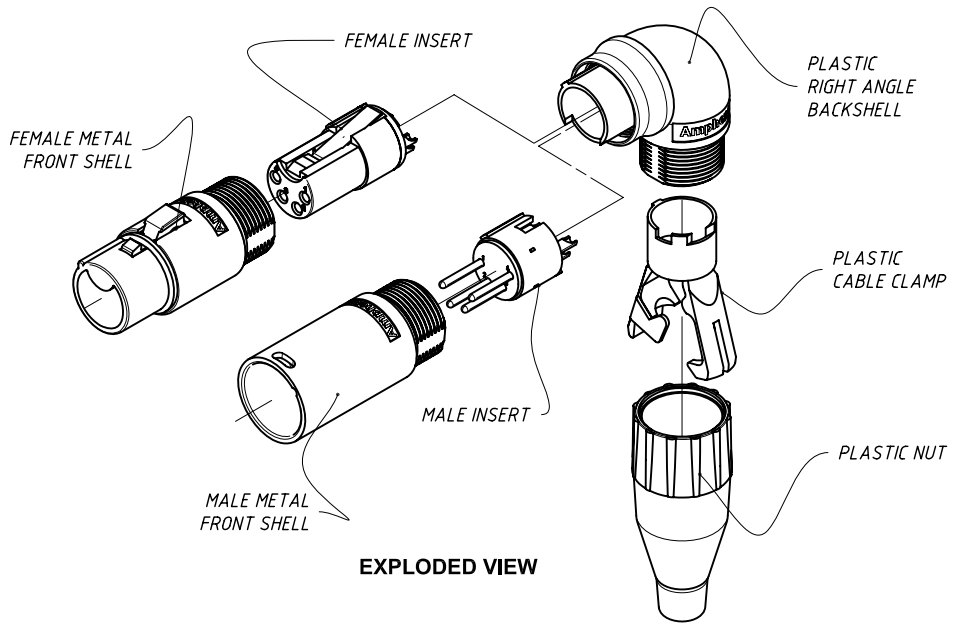


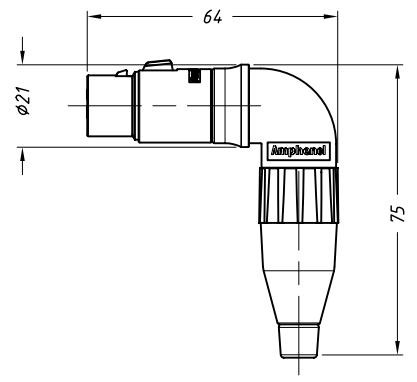
1 2 3 4 5 6

A
B
C
D
E
F

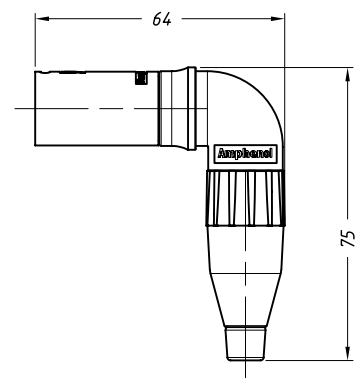
A
B
C
D
E
F



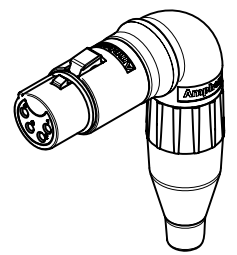
EXPLODED VIEW



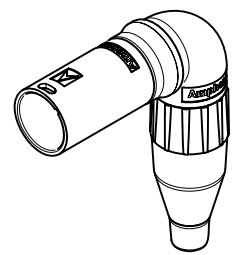
OVERALL DIMENSION FEMALE CONNECTOR



OVERALL DIMENSION MALE CONNECTOR

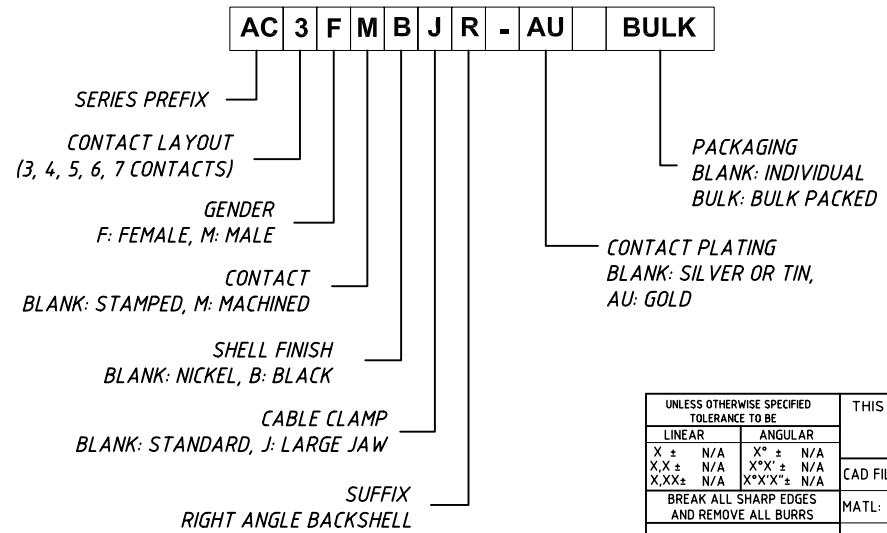


3D VIEW FEMALE CONNECTOR



3D VIEW MALE CONNECTOR

PART NUMBER BREAKDOWN



UNLESS OTHERWISE SPECIFIED TOLERANCE TO BE		THIS DOCUMENT IS THE PROPERTY OF AMPHENOL AUSTRALIA PTY. LTD.. NO PART THEREOF MAY BE REPRODUCED AND USED WITHOUT THE PRIOR WRITTEN CONSENT OF THE OWNER			0	FIRST ISSUE	T.N					
LINEAR	ANGULAR				X ± N/A	X° ± N/A	X.X ± N/A	X°X' ± N/A	X.XX ± N/A	X°X'X" ± N/A	REV.	CHANGE DETAILS
BREAK ALL SHARP EDGES AND REMOVE ALL BURRS		CAD FILE: 55010508000110		DRN: T.N	DATE: 10/10/07	RIGHT ANGLE AC SERIES METAL CONNECTOR		Amphenol				
DO NOT SCALE		MATL:	APP'D: P.M	DATE:	DRAWING NO.			SHEET				
DIMENSIONS IN MILLIMETRES		THIRD ANGLE PROJECTION		SCALE: NTS	PART No: SEE DETAIL	SIZE: A4	55010508-000-1		1 OF 1			

1 2 3 4 5 6