
HX-SZ100-SYNCDIM-TOUCH

RF Touch Dimmer

HX-SZ100-SYNCDIM-TOUCH, adopt the most advanced PWM (Pulse Width Modulation) digital dimming technology, especially design for single color led strip. Adopt full touch RF remote control. 5 function buttons and 1 dimming ring in the center, all buttons are in the touch form, and the dimming ring has 128 levels in different brightness value. Particularly, there is a sense light in the remote control center. It shows the exactly light which was be touched. As the led strip is the same brightness level. Further, there are 3 dynamic modes in the mode button, and the speed is adjustable. In order to achieve the market need, the synchronization work of more lamps, it is designed the conjunction-sync-work function with RJ45 connector, user-friendly.



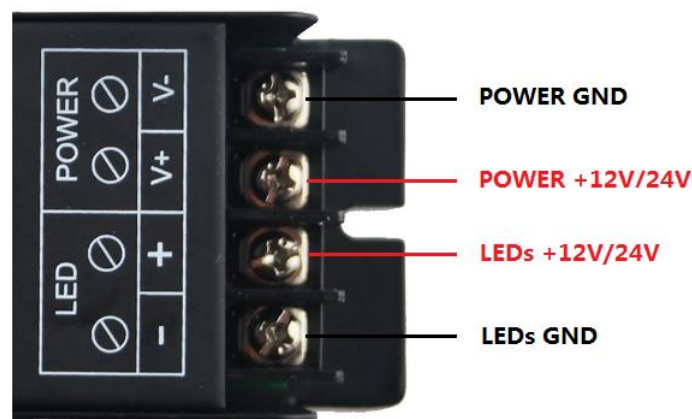
Product Feature

- Adopt PWM technology, and the dimming ring in the center has 128 levels in different brightness value, smooth and flicker-free.
- High watt output design, up to 1*25A/ 300W.
- Easy connection to achieve multiple dimmers sync-work by RJ45 terminal.
- Adopt RF remote control technology and full touch design.
- Designing for: LED constant voltage single color product like LED single color strip.
- 2-year warranty.

Technical Parameters

Working temperature	-20-60℃
Supply voltage	DC12V~24V
Output	1 channel
Connecting mode	common anode
External dimension	L127*W41*H32 (mm)
Packing size	L147*W85*H73 (mm)
Net weight	280g
Gross weight	340g
Output gray	256 levels
Output current	<25A*1CH
Max. Output power	300W
Frequency of RF remote control	433.92MHz

Interface Specifications



Direction for use

Adopts RF full touch control, with one dimming ring and 5 function buttons.



The function of each button as below:

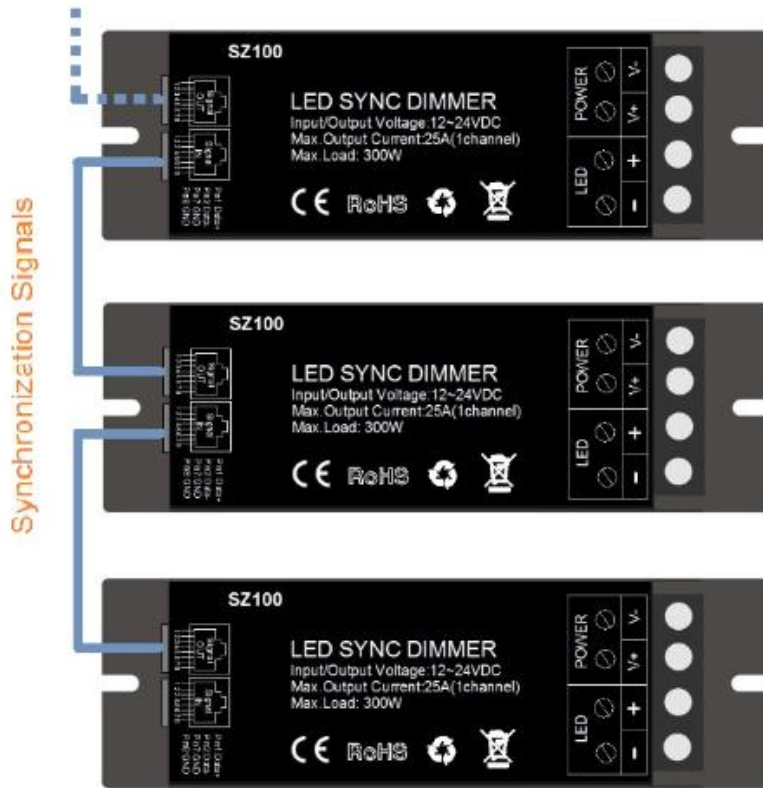
Name of key	Instruction	Remarks
ON/OFF	ON or OFF in any time	
Pause	Pause or Continue	
Mode	The mode will move to next, when touch the key each time	3 modes in total.
Speed/Brightness +	The Speed/Brightness will +1, when touch the key each time	Speed for dynamic modes, Brightness for static modes.
Speed/Brightness -	The Speed/Brightness will -1, when touch the key each time	Speed for dynamic modes, Brightness for static modes.
Color Ring	Touch any color temperature which you want	

3 modes in total as below:

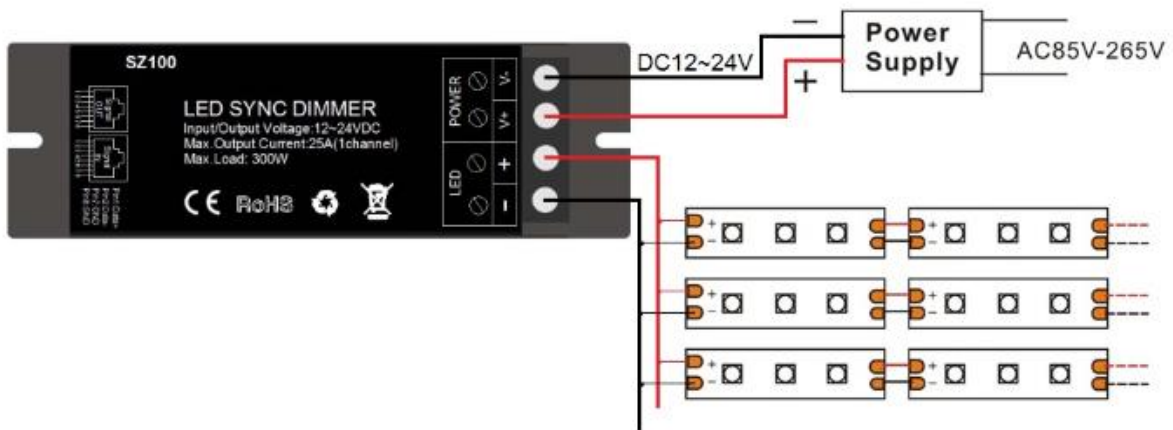
NO	Patterns	Remarks
1	Static 100% light	Brightness is adjustable, speed is unadjustable
2	flash	Speed is adjustable, brightness is unadjustable
3	fade	

Typical Applications

Conjunction diagram :



Power and LED's connection diagram:



Product information for placing order

Product name	Item number
LED Dimmer with RF full touch remote	306-4115