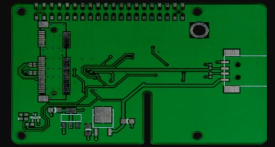


## Voltage and current meter

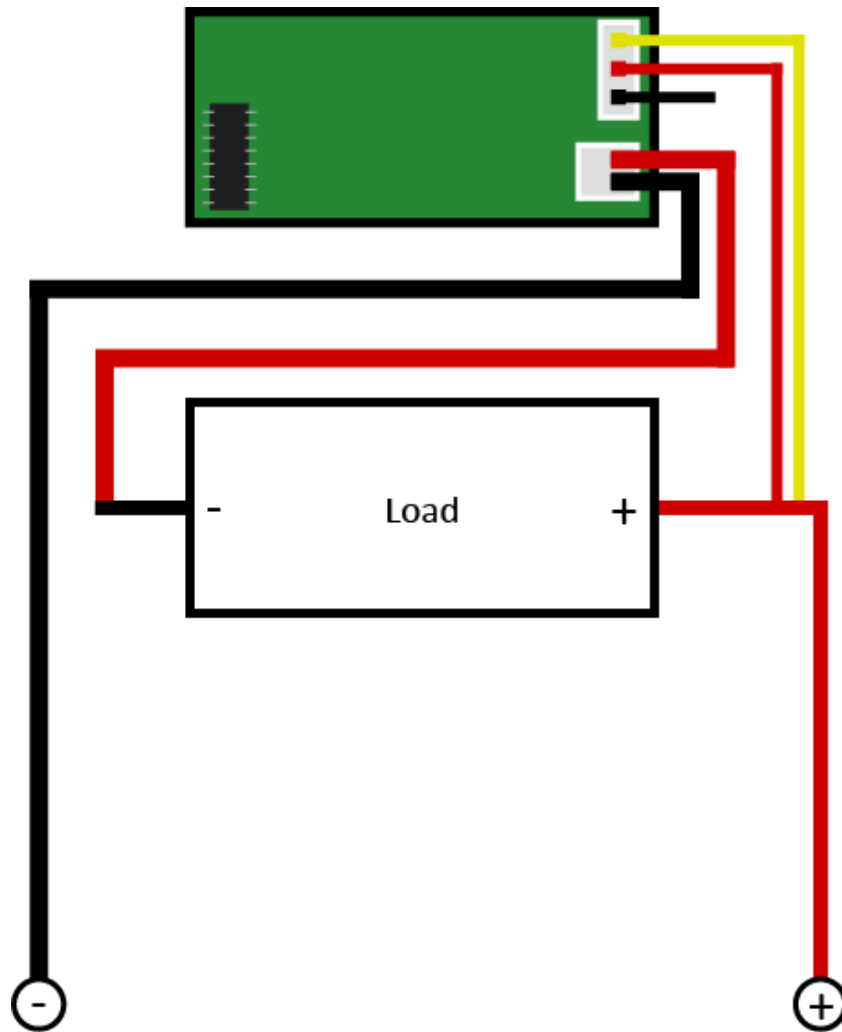


### Technical Specifications

<b>Article no.</b>	COM-VAM10010
<b>Operating voltage</b>	3,5 - 30V (DC) (operation via measuring voltage possible)
<b>Measuring range</b>	0 - 99,9V / 0—9,99A
<b>Measuring accuracy</b>	Voltage: +-0,5% / Current: +-1%
<b>Operating temperature</b>	-10 - 65°C
<b>Refresh rate</b>	500MS
<b>Display mode</b>	3 digits Segment display / per measured value
<b>Display size</b>	0,28"
<b>Display color</b>	Red (voltage), Green (current)
<b>Features</b>	Cable length: 14cm integrated shunt for current measurement
<b>Dimensions</b>	48 x 29 x 22mm
<b>Weight</b>	20g
<b>EAN</b>	4250236817897



## Connection & Cable Assignment



<b>Red Cable (Thick)</b>	Input Current Measurement
<b>Black Cable (Thick)</b>	Output Current Measurement
<b>Red Cable (Thin)</b>	Input Supply Voltage
<b>Yellow Cable</b>	Voltage Measurement
<b>Black Cable (Thin)</b>	Ground



**Attention!** For direct operation via the measuring voltage, the thin, black cable remains unconnected (see wiring diagram).