

theben-timer 26 BL

Item no.: 0260021

theben
energy saving comfort

Time and light control
Analogue time switches

Description

- Analogue plug-in timer with daily program
- Special edition 100 years Theben
- Housing colour light blue
- 1 channel
- Without power reserve
- Synchronised with mains
- Use with earthed sockets
- Switching preselection
- Switching status display
- * If, against all probability, the guarantee case occurs within the next 5 years despite proper use, we will be happy to exchange your theben-timer 26. In the unlikely event of a warranty claim within the next 95 years, you will receive an adequate replacement. In whatever technological form. Maybe already with WiFi electricity.



Technical data

theben-timer 26 BL	
Operating voltage	230 V AC
Frequency	50 Hz
Number of channels	1
Installation type	Plug-in
Type of connection	Plug-in
Program	Daily program
Switching capacity at 250 V AC, $\cos \varphi = 1$	16 A
Switching capacity at 250 V AC, $\cos \varphi = 0,6$	4 A
Incandescent/halogen lamp load	3500 W
LED lamp < 2 W	40 W
LED lamp 2-8 W	400 W

theben-timer 26 BL	
LED lamp > 8 W	400 W
Shortest switching times	15 min
Programmable every	15 min
Time accuracy at 25 °C	Synchronised with mains
Type of contact	NO contact
Number of switching segments	96
Stand-by consumption	~0.8 W
Housing and insulation material	High-temperature resistant, self-extinguishing thermoplastic
Type of protection	IP 20
Protection class	II according to EN 60 730-1
Ambient temperature	-40°C ... 55°C

Subject to technical changes and misprints

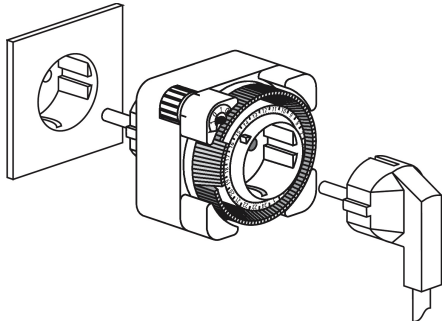
additional information at: www.theben.de/product/0260021

The load data are determined with exemplary selected illuminants and are therefore typical data due to the large number of available products.

theben-timer 26 BL

Item no.: 0260021

Connection example



Scale drawings

