



ORDER PICKER FURNITURE CART

Add or remove components to configure the Order Picker Furniture Cart (OPCMF) for specific material handling tasks. Use the flat steel deck and heavy-duty casters to move bulky items, with or without an ergonomic Push Handle. Or pair the OPCMF with an order picker truck for more possibilities.

A Multi-Use Material Handling Solution

Optional accessories include Adjustable Fork Pocket Guides, Anti-Skid Tape, and Handrails with kick plates and harness attachment points. With all these features in place, the OPCMF is suitable for use as a work platform or order picker fork attachment.



Configurable to Task

Bolt-on components can be added or removed quickly, with standard workplace tools, for flexible material handling.



Replaces Multiple Solutions

Use a single OPCMF in place of flatbed trucks and forklift platforms.



Heavy Duty Construction

A welded steel deck and durable powder-coat finish ensure a lifetime of reliable service.



Custom Builds Available

Choose custom sizes, shapes, colors, and more to tailor the OPCMF to your requirements.

CONTACT THE BHS SALES TEAM FOR MORE INFORMATION ABOUT THIS PRODUCT

Flip sheet over to learn more about this warehouse solution.



1.800.BHS.9500



BHS1.com

PLATFORM TRUCKS

ORDER PICKER FURNITURE CART

Industrial Transport

Efficient material handling for bulky items, including furniture, up to 2,000 pounds

Modular Design

Modular, bolt-on options provide configurability for specialized tasks. Components can be added, removed, or reconfigured as your operation's needs change.

Heavy Duty Construction

High-strength steel construction for industrial and warehousing applications. A durable powder-coat finish protects the frame for long-term dependability

Flush Platform Alignment

Platform is sized to eliminate tripping hazards on order picker trucks



OPCMF-4272

pictured with optional Fork Pockets

Platform Attachment

Open fork pockets are compatible with most types of order pickers. For a tighter fit, the Adjustable Fork Guides option is available.

Customizable

Choose from a variety of options to tailor this cart to your specifications. Custom designs are available on request.

Mobility

4" Phenolic casters – 2 swivel casters with brakes and 2 rigid casters for easy maneuverability

Model Specifications

MODEL	WIDTH	DEPTH	PLATFORM HEIGHT	CAPACITY	WEIGHT
OPCMF-4072	40" (1016 mm)	72" (1829 mm)	9.9" (252 mm)	2,000 lb (907 kg)	145 lb (66 kg)
OPCMF-4084		84" (2134 mm)			158 lb (72 kg)
OPCMF-4090		90" (2286 mm)			170 lb (77 kg)
OPCMF-4096		96" (2438 mm)			180 lb (82 kg)
OPCMF-4272	42" (1067 mm)	72" (1829 mm)			152 lb (69 kg)
OPCMF-4284		84" (2134 mm)			165 lb (75 kg)
OPCMF-4290		90" (2286 mm)			176 lb (80 kg)
OPCMF-4296		96" (2438 mm)			187 lb (85 kg)
OPCMF-4872	48" (1219 mm)	72" (1829 mm)			165 lb (75 kg)
OPCMF-4884		84" (2134 mm)			180 lb (82 kg)
OPCMF-4890		90" (2286 mm)			192 lb (87 kg)
OPCMF-4896		96" (2438 mm)			205 lb (93 kg)
OPCMF-6072	60" (1524 mm)	72" (1829 mm)			180 lb (82 kg)
OPCMF-6084		84" (2134 mm)			195 lb (89 kg)
OPCMF-6090		90" (2286 mm)			207 lb (94 kg)
OPCMF-6096		96" (2438 mm)			220 lb (100 kg)

- Notes:**
- When ordering, identify the vertical offset between operator platform and top of fork. This allows the factory to size the platform to sit flush with the operator's platform. See last page, diagram A.
 - Overall dimensions may vary depending upon modular options.

Modular Options

Bolt-on options provide the flexibility to add at the time of order, after, or reconfigure as needs change.



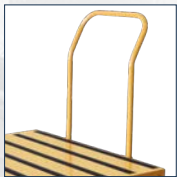
Fork Pockets (OPCMF-FP)

Open fork pockets enable proper attachment of the cart to the order picker truck. Maximum outside of fork width is 30". *Consult factory to ensure correct size is ordered.*



Adjustable Fork Guides (OPCMF-FP-GUIDE)

Bolt-in, galvanized panels reduce outside fork pocket dimension to 27", 25", or 23" depending on installation position, creating a tighter fit within fork pocket compartment for any lift truck.



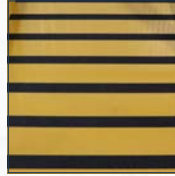
Push Handle (OPCMF-PUSH)

Ergonomically maneuver cart by hand with a bolt-on push handle. Adds 31.6" height to cart.



Handrails (OPCMF-HR)

Bolt-on steel handrails run entire depth and along back of deck. Includes kick plate and six safety harness attachment points. Adds 47.7" height to cart.



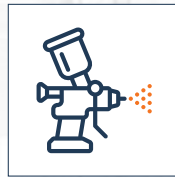
Anti-Skid Tape (SKIDTAPE)

Textured tape on the platform deck adds traction.



Custom Lasered Logo (OPCMF-LOGO)

Add a laser-cut logo plate to the rear of the cart to incorporate your company's branding.



Custom Color

BHS Yellow is the standard powder-coat paint color for visibility in warehouses, however customers may choose from other colors. For more details, visit <https://na.bhs1.com/custom-colors>.

Order Picker Furniture Carts & Platforms

Dealer Information

Company Name: _____
 Contact Name: _____
 Address: _____
 City, State, & Zip: _____
 Phone: _____
 Email: _____

End User Information

Company Name: _____
 Contact Name: _____
 Address: _____
 City, State, & Zip: _____
 Phone: _____
 Email: _____

Platform Width (W)

40" 42" 48" 60" Custom: _____

Platform Length (L)

72" 84" 90" 96" Custom: _____

Casters

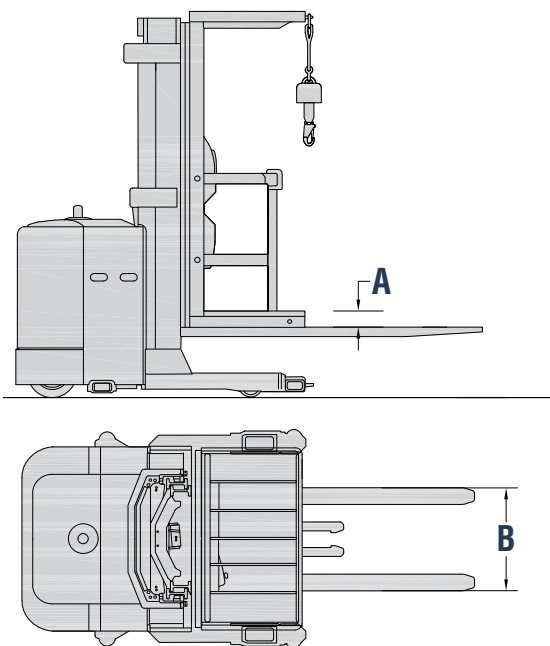
Yes No

Fork Pockets (required on models without casters)

No
 Yes (if selected, identify A & B dimensions as identified in figure)

(A) Vertical offset between operator platform & top of fork:

(B) Maximum overall width of forks:



Additional Options

- Push Handle (OPCMF-PUSH)
- Handrails (OPCMF-HR)
- Adjustable Fork Guides (OPCMF-FP-GUIDE)
- Anti-Skid Tape (SKIDTAPE)
- Custom Lasered Logo (OPCMF-LOGO)
- Custom Color: _____

Notes

