



BATTERY & CHARGER STANDS & STATIONS

HARDWOOD BATTERY STATION

The BHS Hardwood Battery Station (HBS) is available in a range of models for any application. The HBS comes standard with plastic decking and a heavy-duty steel charger shelf. Models can be custom built to any specifications. Note: Drip Pan Kits are available specific to HBS.

Ideal Battery Storage

Hardwood Battery Stations (HBS) are the ideal battery storage solution for overhead extraction applications such as the BHS Gantry Crane.



Environmentally Conscious

Decking made of recycled polyethylene is acid resistant, nonconductive and environmentally friendly.



Secure Shelving

A charger shelf comes standard on all models of the HBS. Anchoring slots fit most models of chargers and Cable Retractor mounting holes aid in cable management.



Heavy Duty Construction

Designed for the weight of batteries and built to withstand harsh chemicals, the heavy duty frame adds reliability.



Custom Designs Available

For unique applications, the BHS team can modify the shelf widths and can custom-build to meet your specifications.

CONTACT THE BHS SALES TEAM FOR MORE INFORMATION ABOUT THIS PRODUCT

Flip sheet over to learn more about this warehouse solution.

 sales@bhs1.com

 **1.800.BHS.9500**

HARDWOOD BATTERY STATION

BATTERY & CHARGER STANDS & STATIONS

SB Connector Safekeeping

SB connector mounting holes

Intuitive Design

Dust rail constructed at tapered angle in center of stand preventing accumulation of debris

Increased Productivity

Pre-drilled CR-1 Cable Retractor mounting holes allows for improved productivity and a safer battery room

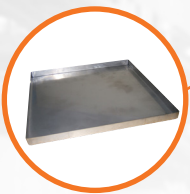
Secure Design

Charger anchoring slots for securing most makes of chargers

Elongating Extension

Charger shelves come slotted allowing for optional 6" (152 mm) shelf extension between stands

Stainless Steel Protection



Acid-resistant pans provide spill containment to prevent floor damage and maintain a safe environment in the battery room



Standard Height

12" (305 mm) standard height from floor to top of plastic interlay

Options

Charger Shelf Rearward (HBS-RWD)

Increases overhead access to the battery deck

Charger Shelf Forward (HBS-FWD)

Space saving shelf design for battery rooms where space is limited

Charger Shelf Center (HBS-CTR)

Required for 3-ton systems

Drip Pan Kit (DP)

Contains spills maintaining a more clean and safe environment

HBS-96

Without Charger Shelf (-1)

When ordering, add suffix -1 to model number to indicate HBS without charger shelf

Deck Sideways (-WS)

For use with narrow batteries to prevent tipping
Note: Add suffix -WS to model number when ordering

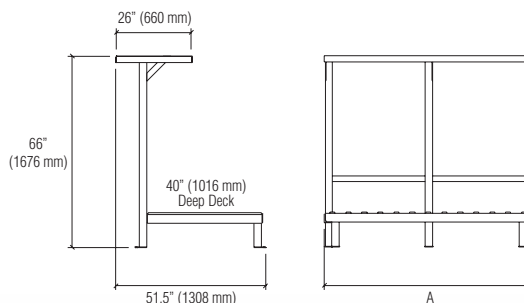
Extended Deck Depth (-WS-46)

Increases deck depth to 46" (1168 mm) and decking material is installed sideways

Note: Add suffix -WS-46 to model number when ordering



HBS-72-1



Model	Overall Stand Width (A)
HBS-30	30" (762 mm)
HBS-42	42" (1067 mm)
HBS-60	60" (1524 mm)
HBS-72	72" (1829 mm)
HBS-84	84" (2134 mm)
HBS-96	96" (2438 mm)
HBS-108	108" (2743 mm)
HBS-120	120" (3048 mm)
HBS-144	144" (3658 mm)