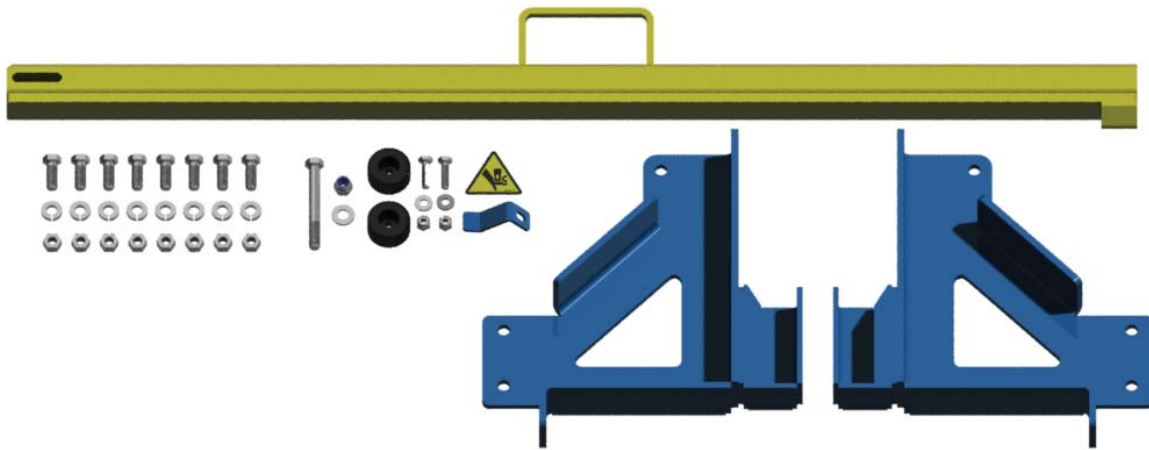


## ATC-36-CAN-7 CONTAINMENT BAR KIT

### P/N: 80012015



QTY	PART#	DESCRIPTION
1	08215020	CONTAINMENT BAR
1	08015040	CONTAINMENT BAR REST
1	08015041	CONTAINMENT BAR MOUNT
1	08017088-2	CONTAINMENT BAR STOP
8	HW0402	BOLT-HHCS-3/8-16 X 1"
8	HW0107	WASHER-LOCK-3/8"
8	HW0005	NUT-HEX-3/8-16
1	HW0408	BOLT-HHCS-3/8-16 X 3 1/4"
1	HW0108	WASHER-FLAT-3/8"-SAE
1	HW0006	NUT-NILN-3/8-16
2	HW1037	RUBBER BUMPER
2	HW0303	BOLT-HHCS-1/4-20 X 1"
2	HW0104	WASHER-FLAT-1/4"-SAE
2	HW0003	NUT-NILN-1/4-20
1	00196222	LABEL-CRUSH HAZARD
1	80012014-i	INSTALLATION INSTRUCTIONS