



Proper ATC and WTC Mounting

Models Affected: All ATC and WTC Units

Tech Tip
TT-963

Subject:

To ensure proper and safe operation of an Automatic Transfer Carriage (ATC) or Walkie Transfer Carriage (WTC) the unit must be mounted properly to the host pallet truck, regardless of the mounting method being used.

Description:

ATC and WTC units can be mounted directly to the host pallet truck using one of two methods:

Permanent mounting - The ATC or WTC can be welded directly to the forks of the host pallet truck.

Semi-permanent mounting - An optional bolt-on kit (ATC/WTC-BLTON) is available to mount the carriage to the pallet truck via two steel plates which mount beneath the forks and bolt to the carriage, clamping the carriage to the pallet truck. This allows the carriage to be removed from the pallet truck when the truck is occasionally required for other tasks or in instances when removing the carriage is required to service the pallet truck.

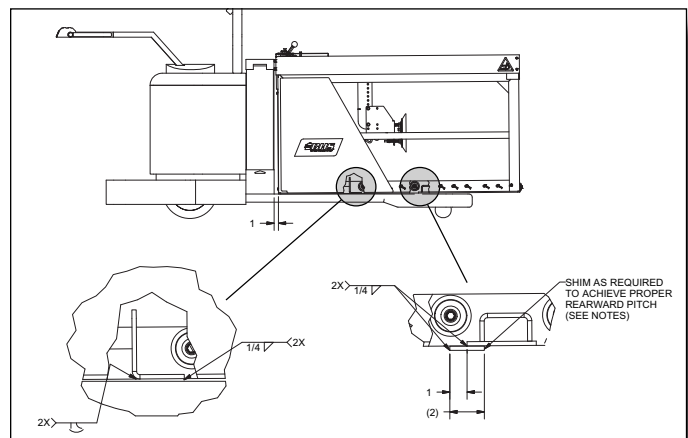
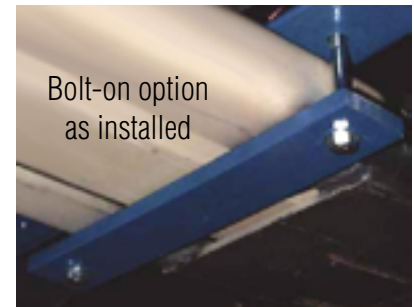
Recommendation:

A pallet truck with minimum 27" x 48" forks is required for use with an ATC or WTC. Some applications will require 27" x 60" forks. With either mounting method, it is important to ensure the carriage is installed with a minimum 1/4" rearward pitch. The pitch should be verified with the truck partially raised so that any fork deflection or linkage wear is accounted for. Units being mounted to the truck by welding or by the optional bolt on kit will likely require some shims be installed between the carriage and truck to provide the required pitch.

Detailed installation instructions are included in the manuals supplied with each new unit. Replacement manuals are also available. Contact the BHS Tech Support Department or your local BHS Dealer for more information.

Fork Pocket options are also available for utilization with the ATC and WTC. Reference Tech Tip TT-962 for additional information on proper use of the fork pocket options.

All available Tech Tips as well as Parts Kits and Planned Maintenance Information are available on our website. Go to BHS1.com and click on "Technical Literature" under the "Library" tab for the latest available information.



For more information call: **1.877.BHS.4YOU**
(Outside the U.S. +1 314 890 0953)

