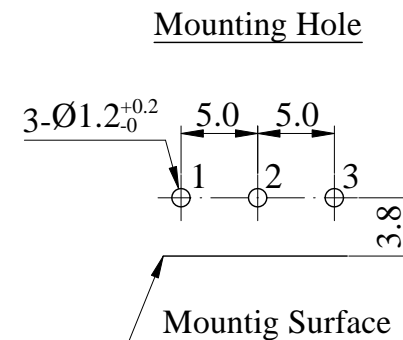
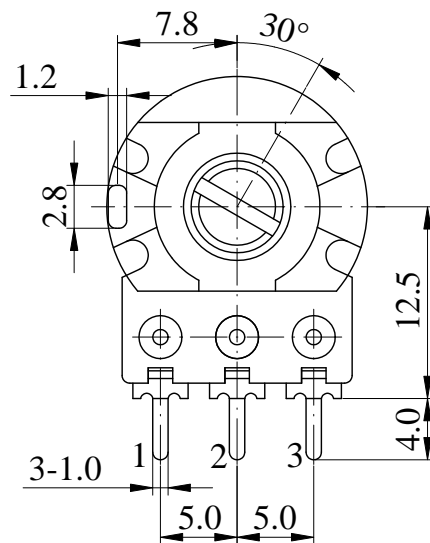
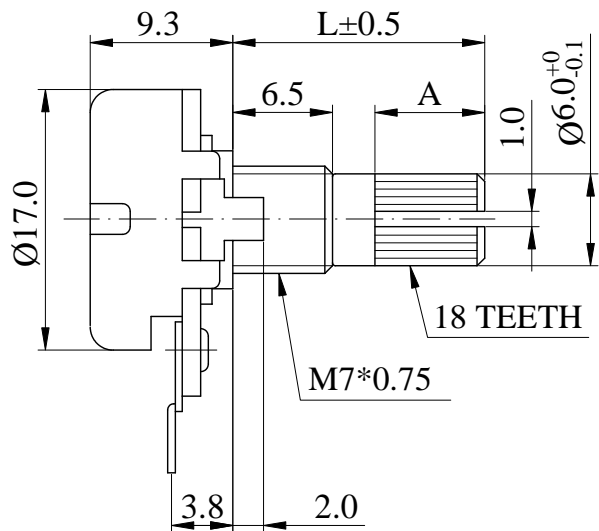




ISO 9001 國際品質認證
ISO 9001 CERTIFICATE

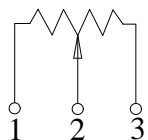
松暉電機工業股份有限公司
SONG HUEI ELECTRIC CO., LTD.
佛山市松暉電機科技有限公司
FOSHAN SONG HUEI ELECTRIC CO., LTD.

一般事項 General	
使用溫度範圍 Operating temperature	-10 °C ~ +70 °C
手工焊接 Manual soldering	300 °C max 3 sec
電氣特性 Electrical Characteristics	
總阻值 (R) Total resistance	500 Ω ~ 2 MΩ
總阻值容許誤差 Total resistance tolerance	± 20 % (Lesss than 500 Ω and More than 1 MΩ ± 30 %)
阻值線性 Resistance taper	<input type="checkbox"/> A <input type="checkbox"/> B <input type="checkbox"/> C <input type="checkbox"/> D <input type="checkbox"/> W <input type="checkbox"/> MN
摺動雜音 Sliding noise	Less than 47 mV (Taper 05 A / 05 C: 80 mV)
殘留阻值 Residual resistance	Less than 20 Ω
定格電力 Rated power (W)	Linear (B) taper: 0.125 W Other tapers: 0.06 W
額定電壓 Rated voltage (V)	$E = \sqrt{P * R}$ E: Rated voltage 額定電壓 (V) P: Power rating 額定電力 (W) R: Nominal total resistance 公稱全阻抗值 (Ω) 當額定電壓超過最高使用電壓的時候，最高使用電壓即為額定電壓。 When the rated voltage exceeds the maximum operating voltage,the maximum operating voltage shall be the rated voltage.
最高使用電壓 Max operating voltage	Linear (B) taper: AC 200 V Other tapers: AC 150 V
絕緣阻抗 Insulation resistance	More than 100 MΩ at DC 500 V
耐電壓 Withstand voltage	1 minute at AC 500 V
機械特性 Mechanical Characteristics	
全回轉角度 Total rotational angle	300 ° ± 5 °
全回扭力 Rotational torque	30 ~ 200 gf.cm
C.C 扭力 C.C torque	<input type="checkbox"/> 80 ~ 350 gf.cm
全回轉止強度 Rotational stopper strength	6 Kgf.cm max
軸推拉強度 Shaft push-pull strength	7 Kgf max
回轉壽命 Rotational life	15,000 cycles



SHAFT SHOWN IN FULL C.C.W POSITION

CIRCUIT



								Non notation tolerance	
L=	10	12	15	17	20	25	30	< 10	±0.3
A=	2	4	6.5	8.5	11.5	16.5	21.5	10 ~ 100	±0.5
choose								> 100	±0.8



SONG HUEI ELECTRIC CO., LTD.
FOSHAN SONG HUEI ELECTRIC CO., LTD.

MODEL: 16K1(KC)/CI

Approval



Checked



Projected



UNIT

mm

SCALE

2:1

VERSION

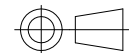
1.3

DATE

2013.07.02

DRAWING NO.

16K-073



图元整理

增加L=17, A=8.5

增加公差^{+0.2}₋₀

ISSUE

SUBJECT

NAME

DATE

RECORD

何鴻根

何鴻根

邝俊华

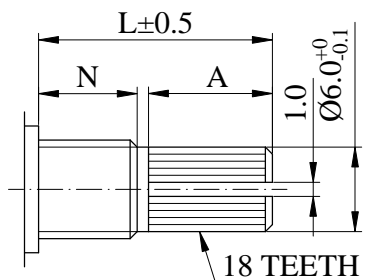
2018.12.26

2018.03.16

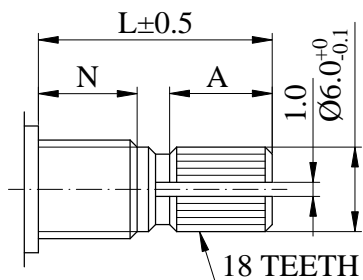
2015.12.8

Shaft Types 軸型:

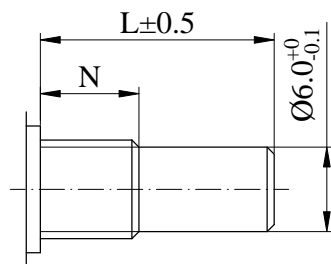
KC/CI-Type



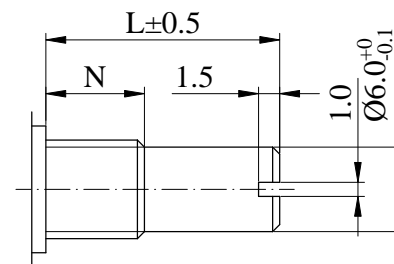
KC-Type



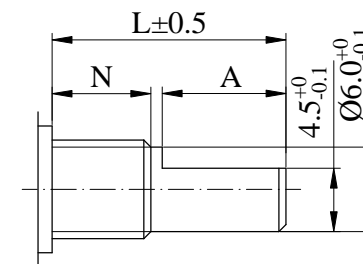
R-Type



RE-Type



F-Type



		N=6.5mm								
Shaft Type	L	10	15	17	20	25	30	35	40	
KC	A	2.2	6	6	10	12	12	12	12	
	M	0.5	1	1	2	2	4	4	4	
KC/CI	A	1.5	6.5	8.5	11.5	16.5	19			
F	F	2.5	7	7	12	12	12	12	12	
R,RE	L	10	15	17	20	25	30	35	40	

		N=5mm								
Shaft Type	L	10	12	15	17	20	25	30	35	40
KC	A	3.2	-	6	8	12	12	12	12	12
	M	0.5	-	1	1	2	2	4	4	4
KC/CI	A	4	5	8	10	13				
F	F	4	4	7	7	12	12	12	12	12
R,RE	L	10	-	15	17	20	25	30	35	40