

# High Capacity Telehandlers

TF45.11T



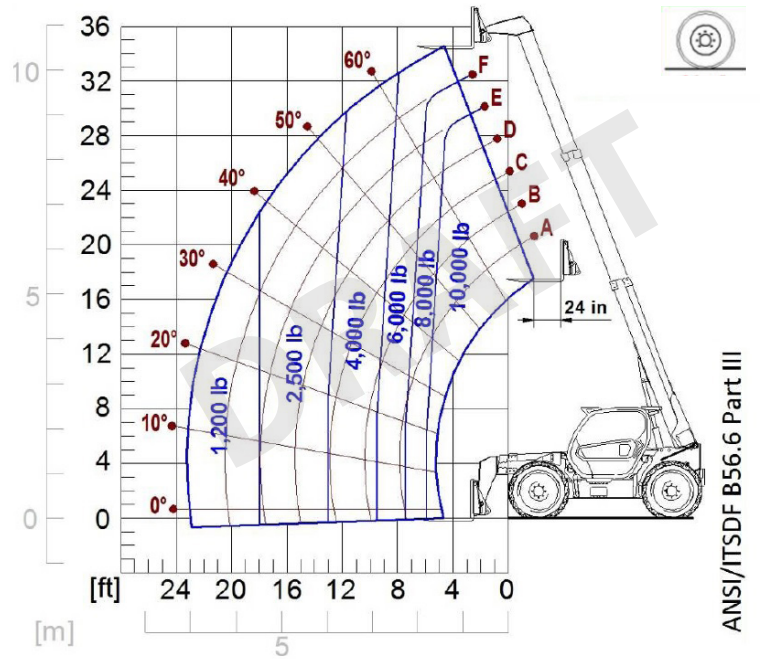


PERFORMANCE AND FEATURES	TF45.11T-170EE-HF	TF45.11TCS-170-HF	TF45.11TCS-170-CVT-HF
<b>Performance</b>			
Total unladen weight (lb)	22267	22707	22818
Maximum capacity (lb)	10000	10000	10000
Lifting height (ft)	34' 5"	34' 5"	34' 5"
Maximum reach (ft)	23' 1"	23' 1"	23' 1"
Maximum operating height (ft)	29' 5"	29' 5"	29' 5"
Maximum operating reach (ft)	6' 0"	6' 0"	6' 0"
Capacity at maximum height (lb)	6000	6000	6000
Capacity at maximum reach (lb)	1200	1200	1200
Lateral boom movement (inch)	-	-	-
Tilting correction (%)	± 8	± 8	± 8
Boom sections	3	3	3
<b>PowerTrain</b>			
Turbo motor	FPT NEF45	FPT NEF45	FPT NEF45
Displacement/cylinders	4500/4	4500/4	4500/4
Engine Power (kW/HP)	125/170	125/170	125/170
Anti-pollution technology	TIER 4, SCR+DOC+DPF	TIER 4, SCR+DOC+DPF	TIER 4, SCR+DOC+DPF
Reversible fan	○	○	○
Maximum speed (mph)	25	25	25
Fuel tank (gal)	37	37	37
AdBlue tank (gal)	4.8	4.8	4.8
Hydrostatic transmission	● - 2V	● - 2V	CVTronic
EPD	Plus	Plus	Plus
Auto-revving joystick	●	●	●
Axles - Reducers	Axial, Epicyclic	Axial, Epicyclic	Axial, Epicyclic
Machine brakes	Dry disc	Dry disc	Dry disc
Automatic parking brake	●	●	●
<b>Hydraulic</b>			
Hydraulic pump	HF*	HF*	HF*
Flow rate/pressure (gal/min - psi)	42,3 - 3626	42,3 - 3626	42,3 - 3626
Hydraulic tank	26.4	26.4	26.4
Hydraulic outlet at the top of the boom	●	●	●
Rear hydraulic outlets	○	○	○
<b>Cab</b>			
Cab configuration	Premium	Premium	Premium
ASCS Adaptive Stability Control System	Full	Full	Full
FOPS LIV II cab	●	●	●
ROPS cab	●	●	●
Cab commands	Electronic joystick	Electronic joystick	Electronic joystick
Tilting Cab	-	-	-
Reverse shuttle	Dual reverse	Dual reverse	Dual reverse
<b>Configuration</b>			
Cab suspension	-	●	●
Boom suspension	●	●	●
Suspension on axles	-	-	-
Work headlights on cab	●	●	●
Sun blind	●	●	●
Tac-lock	●	●	●
Provision for a platform	○	○	○
Two floating forks	●	●	●
Inching-Control	●	●	●
Four-wheel drive	●	●	●
Four-wheel steering	●	●	●
Three steering modes	●	●	●
Standard tyres	500/70R24	500/70R24	500/70R24
Optional tyres	440/80-R24; 600/55-26.5; 500/70-R24, 17.5-25	440/80-R24; 600/55-26.5; 500/70-R24, 17.5-25	440/80-R24; 600/55-26.5; 500/70-R24, 17.5-25
Stabilisers	-	-	-
Turret rotation	-	-	-
Type approval as an agricultural tractor	○	○	○
Approval with PNEUMATIC braking	○	○	○
Approval with HYDRAULIC braking	○	○	○
PTO	-	-	-
3-point linkage	-	-	-

- Not Available  
● Standard  
○ Optional

\*LS + FS + oversized distributor

## Load charts

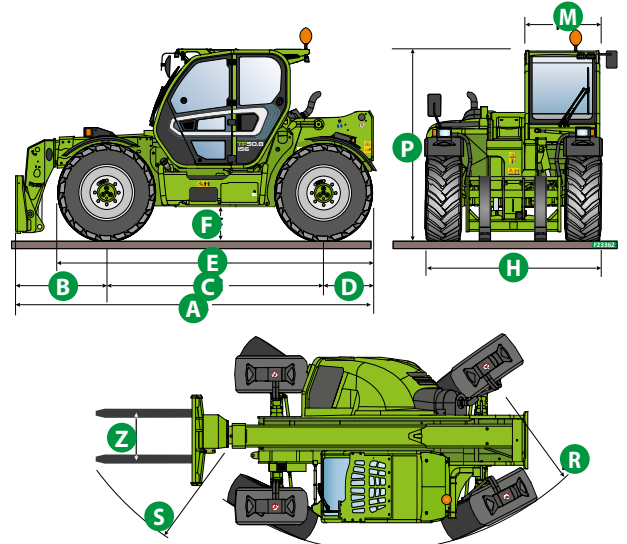


TF45.11T

## Dimensions



	TF45.11T 170EE-HF	TF45.11TCS 170-HF	TF45.11TCS 170-CVT-HF
A (inch)	198.4	198.4	198.4
B (inch)	52.8	52.8	52.8
C (inch)	120.1	120.1	120.1
D (inch)	25.6	25.6	25.6
E (inch)	171.7	171.7	171.7
F (inch)	17.3	17.3	17.3
H (inch)	94.5	94.5	94.5
M (inch)	39.8	39.8	39.8
P (inch)	99.6	102.0	102.0
R (inch)	150.8	150.8	150.8
S (inch)	189.0	189.0	189.0
Z (inch)	33.5	33.5	33.5



**Your Merlo dealer**



**TF45.11T-170EE-HF:**

... - VIN: ... - SAV: ... - ...

**TF45.11TCS-170-HF:**

... - VIN: ... - SAV: ... - ...

**TF45.11TCS-170-CVT-HF:**

... - VIN: ... - SAV: ... - ...

**MERLO S.P.A.**

Via Nazionale, 9

12010 S. Defendente di Cervasca, (Cuneo) Italia

Tel. +39 0171 614111

Fax +39 0171 684101

[info@merlo.com](mailto:info@merlo.com)

[www.merlo.com](http://www.merlo.com)

