

Tractor Telehandlers

MF44.9CS-170-CVT

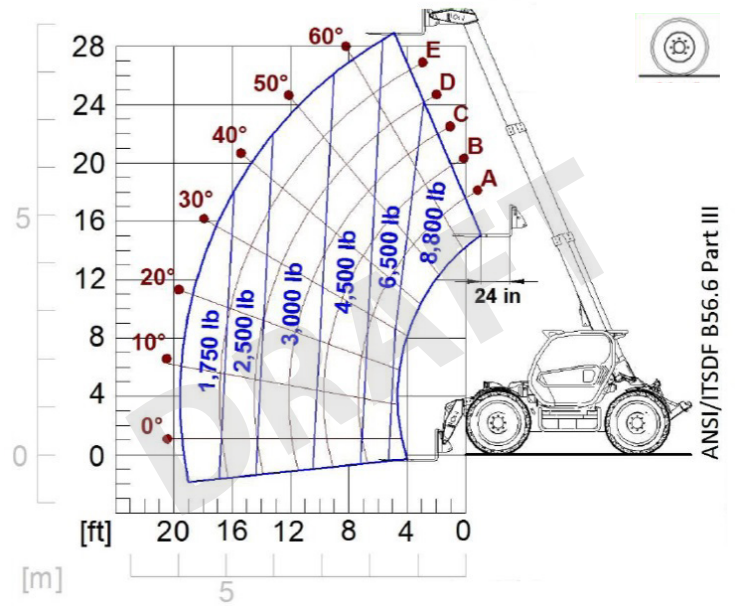




| PERFORMANCE AND FEATURES | MF44.9CS-170-CVT | | |
|--|--|--|--|
| Performance | | | |
| Total unladen weight (lb) | 21010 | | |
| Maximum capacity (lb) | TBD | | |
| Lifting height (ft) | TBD | | |
| Maximum reach (ft) | TBD | | |
| Maximum operating height (ft) | TBD | | |
| Maximum operating reach (ft) | TBD | | |
| Capacity at maximum height (lb) | TBD | | |
| Capacity at maximum reach (lb) | TBD | | |
| Lateral boom movement (inch) | - | | |
| Tilting correction (%) | ± 8 | | |
| Boom sections | 2 | | |
| PowerTrain | | | |
| Turbo motor | FPT NEF45 | | |
| Displacement/cylinders | 4500/4 | | |
| Engine Power (kW/HP) | 125/170 | | |
| Anti-pollution technology | STAGE V - SCR + DPF + DOC | | |
| Reversible fan | ○ | | |
| Maximum speed (mph) | 25 | | |
| Fuel tank (gal) | 37 | | |
| AdBlue tank (gal) | 4.8 | | |
| Hydrostatic transmission | CVTronic | | |
| EPD | Plus | | |
| Auto-revving joystick | ● | | |
| Axles - Reducers | Axial, Epicyclic | | |
| Machine brakes | Dry discs | | |
| Automatic parking brake | ● | | |
| Hydraulic | | | |
| Hydraulic pump | LS+FS | | |
| Flow rate/pressure (gal/min - psi) | 40 - 3045 | | |
| Hydraulic tank | 26.4 | | |
| Hydraulic outlet at the top of the boom | ● | | |
| Rear hydraulic outlets | 4 - ● | | |
| Cab | | | |
| Cab configuration | Premium | | |
| ASCS Adaptive Stability Control System | Full | | |
| FOPS LIV II cab | ● | | |
| ROPS cab | ● | | |
| Cab commands | Electronic joystick | | |
| Tilting Cab | - | | |
| Reverse shuttle | Dual reverse | | |
| Configuration | | | |
| Cab suspension | ● | | |
| Boom suspension | ○ | | |
| Suspension on axles | - | | |
| Work headlights on cab | ● | | |
| Sun blind | ● | | |
| Tac-lock | ● | | |
| Provision for a platform | ○ | | |
| Two floating forks | ● | | |
| Inching-Control | ● | | |
| Four-wheel drive | ● | | |
| Four-wheel steering | ● | | |
| Three steering modes | ● | | |
| Standard tyres | 500/70-24 | | |
| Optional tyres | 500/70 R24; 500/70-24"; 600/55 -26.5"; 500/70 R22.5 | | |
| Stabilisers | - | | |
| Turret rotation | - | | |
| Type approval as an agricultural tractor | ○ | | |
| Approval with PNEUMATIC braking | ○ | | |
| Approval with HYDRAULIC braking | ○ | | |
| PTO | ● | | |
| 3-point linkage | ● | | |

- Not Available
● Standard
○ Optional

Load charts

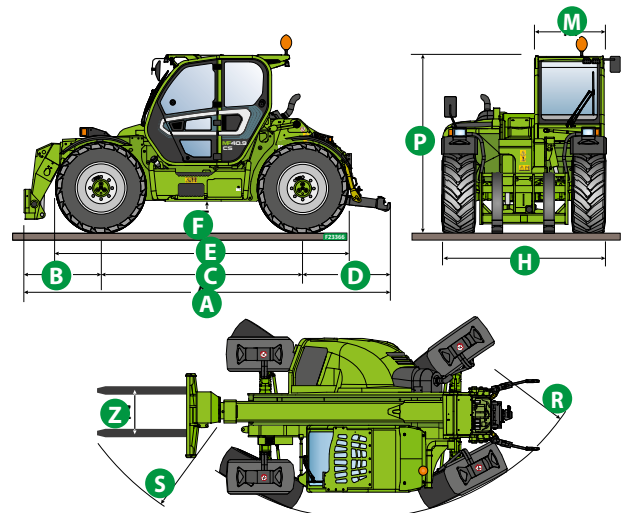


MF44.9CS-170-CVT

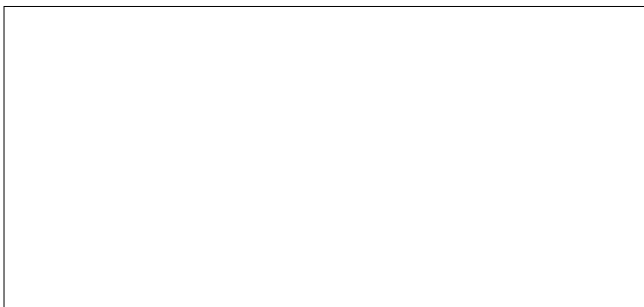
Dimensions



| | MF44.9 CS-170-CVT | | |
|----------|----------------------|--|--|
| A (inch) | 219.3 | | |
| B (inch) | 52.8 | | |
| C (inch) | 116.1 | | |
| D (inch) | 50.4 | | |
| E (inch) | 168.1 | | |
| F (inch) | 17.3 | | |
| H (inch) | 94.5 | | |
| M (inch) | 39.8 | | |
| P (inch) | 102.0 | | |
| R (inch) | 161.0 | | |
| S (inch) | 197.6 | | |
| Z (inch) | 33.5 | | |



Your Merlo dealer



MF44.9CS-170-CVT:

MA00925 - VIN: D2003245 - SAV: D224499 - 16/06/2022

MERLO S.P.A.

Via Nazionale, 9

12010 S. Defendente di Cervasca, (Cuneo) Italia

Tel. +39 0171 614111

Fax +39 0171 684101

info@merlo.com

www.merlo.com

