

Compact Telehandlers

P27.6EE4

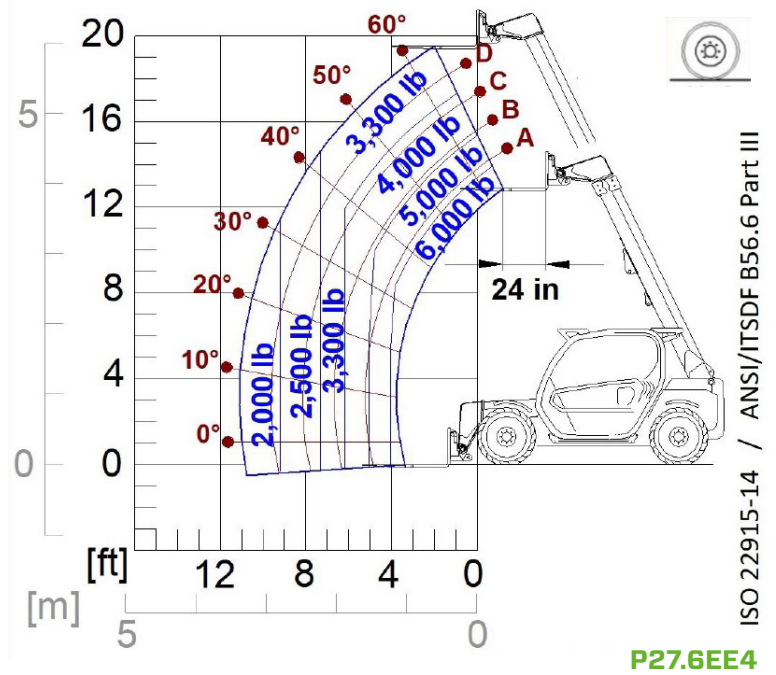




PERFORMANCE AND FEATURES	P27.6EE4 PLUS	P27.6EE4 TOP	
Performance			
Total unladen weight (lb)	10692	10692	
Maximum capacity (lb)	6000	6000	
Lifting height (ft)	19' 4"	19' 4"	
Maximum reach (ft)	10' 9"	10' 9"	
Maximum operating height (ft)	14' 0"	14' 0"	
Maximum operating reach (ft)	4' 0"	4' 0"	
Capacity at maximum height (lb)	3300	3300	
Capacity at maximum reach (lb)	2000	2000	
Lateral boom movement (inch)	-	-	
Tilting correction (%)	-	-	
Boom sections	2	2	
PowerTrain			
Turbo motor	KOHLER KD2504 TCR	KOHLER KD2504 TCR	
Displacement/cylinders	2500/4	2500/4	
Engine Power (kW/HP)	55,4/75,1	55,4/75,1	
Anti-pollution technology	TIER 4 - DOC	TIER 4 - DOC	
Reversible fan	-	-	
Maximum speed (mph)	25	25	
Fuel tank (gal)	18.5	18.5	
AdBlue tank (gal)	-	-	
Hydrostatic transmission	● - 1V	Top - 1V	
EPD	-	-	
Auto-revving joystick	-	-	
Axles - Reducers	Axial, Epicyclic	Axial, Epicyclic	
Machine brakes	Dry disc	Dry disc	
Automatic parking brake	●	●	
Hydraulic			
Hydraulic pump	Gear	Gear	
Flow rate/pressure (gal/min - psi)	25,1 - 3046	25,1 - 3046	
Hydraulic tank	18.5	18.5	
Hydraulic outlet at the top of the boom	●	●	
Rear hydraulic outlets	○	○	
Cab			
Cab configuration	ECO	ECO	
ASCS Adaptive Stability Control System	-	-	
FOPS LIV II cab	●	●	
ROPS cab	●	●	
Cab commands	Electromechanic joystick	Electromechanic joystick	
Tilting Cab	-	-	
Reverse shuttle	Finger touch	Finger touch	
Configuration			
Cab suspension	-	-	
Boom suspension	○	○	
Suspension on axles	-	-	
Work headlights on cab	○	○	
Sun blind	○	○	
Tac-lock	●	●	
Provision for a platform	○	○	
Two floating forks	●	●	
Inching-Control	●	●	
Four-wheel drive	●	●	
Four-wheel steering	●	●	
Three steering modes	●	●	
Standard tyres	12-16.5	12-16.5	
Optional tyres	12/75-18; 300/80-15.3	12/75-18; 300/80-15.3	
Stabilisers	-	-	
Turret rotation	-	-	
Type approval as an agricultural tractor	-	-	
Approval with PNEUMATIC braking	-	-	
Approval with HYDRAULIC braking	-	-	
PTO	-	-	
3-point linkage	-	-	

- Not Available
 ● Standard
 ○ Optional

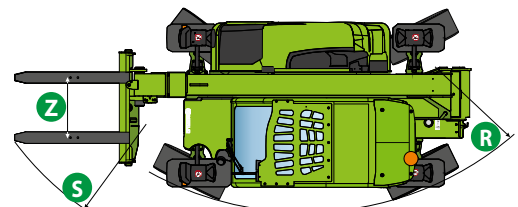
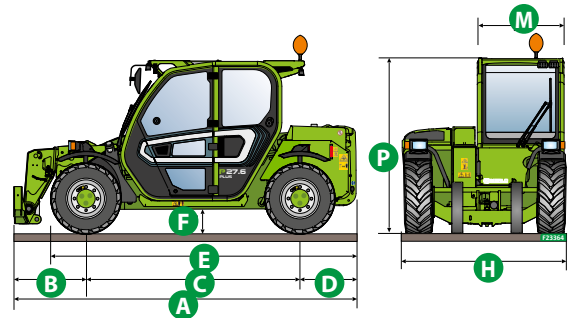
Load charts



Dimensions



	P27.6EE4 PLUS	P27.6EE4 TOP	
A (inch)	153.9	153.9	
B (inch)	32.3	32.3	
C (inch)	96.5	96.5	
D (inch)	25.2	25.2	
E (inch)	137.6	137.6	
F (inch)	10.6	10.6	
H (inch)	73.2	73.2	
M (inch)	39.8	39.8	
P (inch)	77.2	77.2	
R (inch)	132.7	132.7	
S (inch)	165.4	165.4	
Z (inch)	33.5	33.5	



Your Merlo dealer



P27.6EE4PLUS:

MA00801 - VIN: D0000190 - SAV: D004413 - 27/05/2020

P27.P27.6EE4TOP:

MA00800 - VIN: C9005675 - SAV: C950211 - 06/12/2019

MERLO S.P.A.

Via Nazionale, 9

12010 S. Defendente di Cervasca, (Cuneo) Italia

Tel. +39 0171 614111

Fax +39 0171 684101

info@merlo.com

www.merlo.com

