

# Tractors telehandlers

Multifarmer 34.9



**PERFORMANCE AND FEATURES****MF34.9CS-140-CVTRONIC****MF34.9CS-140****MF34.9-140****Performance**

|                                       |      |      |      |
|---------------------------------------|------|------|------|
| Unladen weight (kg)                   | 8500 | 8500 | 8400 |
| Maximum load capacity (kg)            | 3400 | 3400 | 3400 |
| Lift height (m)                       | 8.86 | 8.86 | 8.86 |
| Maximum reach (m)                     | 6    | 6    | 6    |
| Lift height at max. load capacity (m) | 8.16 | 8.16 | 8.16 |
| Reach at max. load capacity (m)       | 1.73 | 1.73 | 1.73 |
| Load capacity at max. lift height (m) | 3000 | 3000 | 3000 |
| Load capacity at max. reach (kg)      | 750  | 750  | 750  |
| Boom side-shift (mm)                  | -    | -    | -    |
| Frame levelling (%)                   | +/-8 | +/-8 | +/-8 |
| Boom section                          | 3    | 3    | 3    |

**Powertrain**

|                           |                           |                           |                           |
|---------------------------|---------------------------|---------------------------|---------------------------|
| Engine                    | Deutz TCD3.6              | Deutz TCD3.6              | Deutz TCD3.6              |
| Range/Cylinders           | 3600/4                    | 3600/4                    | 3600/4                    |
| Engine power (kW/HP)      | 100/136                   | 100/136                   | 100/136                   |
| Anti-pollution technology | Stage V - SCR + DPF + DOC | Stage V - SCR + DPF + DOC | Stage V - SCR + DPF + DOC |
| Reversible Fan            | ○                         | ○                         | ○                         |
| Maximum speed (km/h)      | 40                        | 40                        | 40                        |
| Fuel tank capacity (l)    | 140                       | 140                       | 140                       |
| AdBlue tank capacity (l)  | 18                        | 18                        | 18                        |
| Hydrostatic transmission  | CVTronic                  | YES - 2V                  | YES - 2V                  |
| EPD                       | PLUS                      | PLUS                      | PLUS                      |
| Joystick autoaccelerante  | STD                       | STD                       | STD                       |
| Axles                     | Axial                     | Axial                     | Axial                     |
| Reducers                  | Epicyclic                 | Epicyclic                 | Epicyclic                 |
| Brakes                    | Dry discs                 | Dry discs                 | Dry discs                 |

**Hydraulic**

|                                     |           |           |           |
|-------------------------------------|-----------|-----------|-----------|
| Hydraulic pump                      | LS + FS   | LS + FS   | LS + FS   |
| Delivery / pressure (L / MIN - BAR) | 145 - 210 | 145 - 210 | 145 - 210 |
| Hydraulic oil tank capacity (l)     | 100       | 100       | 100       |
| Auxiliary hydraulic service on boom | ●         | ●         | ●         |
| Rear service line                   |           |           |           |

**Cab**

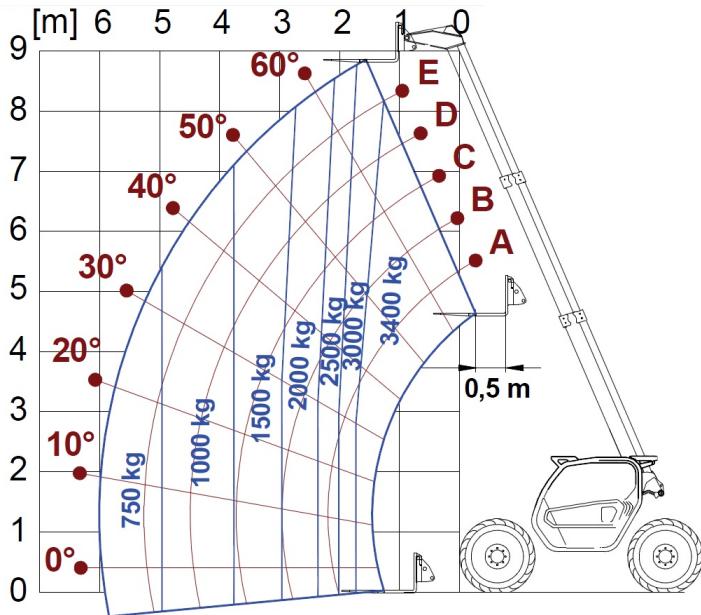
|                 |                             |                             |                             |
|-----------------|-----------------------------|-----------------------------|-----------------------------|
| Cab finishing   | ECO                         | ECO                         | ECO                         |
| ASCS            | Light                       | Light                       | Light                       |
| FOPS II Cab     | ●                           | ●                           | ●                           |
| ROPS Cab        | ●                           | ●                           | ●                           |
| Controls        | Electronic joystick control | Electronic joystick control | Electronic joystick control |
| Tilting cab     |                             |                             |                             |
| Reverse shuttle | Dual reverse                | Dual reverse                | Dual reverse                |

**Configuration**

|  |   |   |   |
|--|---|---|---|
| Hydropneumatic Suspension CS Merlo       | ● | ● | — |
| Hydropneumatic Suspension BSS Merlo      | ○ | ○ | ○ |
| Hydropneumatic Suspension EAS Merlo      | — | — | — |
| Work lights on cab                       | ● | ● | ● |
| Sun-shade in the cab                     | ○ | ○ | ○ |
| Tac-lock                                 | ● | ● | ● |
| Pre-arrangement for aerial work platform | ○ | ○ | ○ |
| Two floating forks                       | ● | ● | ● |
| Pedal Inching-Control                    | ● | ● | ● |
| Permanent four-wheel drive               | ● | ● | ● |
| All wheel steering                       | ● | ● | ● |
| Three steering way                       | ● | ● | ● |
| Standard tyres                           |   |   |   |
| OPT tyres                                |   |   |   |
| Hydraulically controlled stabilizers     |   |   |   |
| Turret rotation                          |   |   |   |
| Tractor type approval                    | ● | ● | ● |
| Pneumatic brakes (ton)                   | ○ | ○ | ○ |
| Hydraulic brakes (ton)                   | ○ | ○ | ○ |
| PTO                                      | ● | ● | ● |
| 3-point rear linkage                     |   |   |   |



- not available
- standard
- optional



Dimensions



|                              | MF34.9CS-140-CVTRONIC | MF34.9CS-140 | MF34.9-140 |
|------------------------------|-----------------------|--------------|------------|
| A - Length                   | 5440                  | 1325         | 1325       |
| C - Wheelbase                | 2850                  | 4100         | 4100       |
| F - Ground clearance         | 430                   | 430          | 430        |
| H - Width                    | 2240                  | 2240         | 2240       |
| M - Cabin width              | 1010                  | 1010         | 1010       |
| P - Height                   | 2485                  | 2485         | 2485       |
| R - Turning radius at wheels | 3825                  | 3825         | 3825       |
| S - Turning radius at forks  | 4900                  | 4900         | 4900       |

**Your Merlo dealer**

**MERLO S.P.A.**

Via Nazionale, 9

12010 S. Defendente di Cervasca, (Cuneo) Italia

Tel. +39 0171 614111

Fax +39 0171 684101

[info@merlo.com](mailto:info@merlo.com)

[www.merlo.com](http://www.merlo.com)



