

Tractors telehandlers

Multifarmer 34.7



**PERFORMANCE AND FEATURES****MF34.7CS-140****MF34.7-140****MF34.7CS-140-CVTRONIC****Performance**

Unladen weight (kg)	8000	7900	8000
Maximum load capacity (kg)	3400	3400	3400
Lift height (m)	6.85	6.85	6.85
Maximum reach (m)	3.84	3.84	3.84
Lift height at max. load capacity (m)	6.85	6.85	6.85
Reach at max. load capacity (m)	1.73	1.73	1.73
Load capacity at max. lift height (m)	3400	3400	3400
Load capacity at max. reach (kg)	1500	1500	1500
Boom side-shift (mm)	-	-	-
Frame levelling (%)	+/-8	+/-8	+/-8
Boom section	2	2	2

Powertrain

Engine	Deutz TCD3.6	Deutz TCD3.6	Deutz TCD3.6
Range/Cylinders	3600/4	3600/4	3600/4
Engine power (kW/HP)	100/136	100/136	100/136
Anti-pollution technology	Stage V - SCR + DPF + DOC	Stage V - SCR + DPF + DOC	Stage V - SCR + DPF + DOC
Reversible Fan	○	○	○
Maximum speed (km/h)	40	40	40
Fuel tank capacity (l)	140	140	140
AdBlue tank capacity (l)	18	18	18
Hydrostatic transmission	YES - 2V	YES - 2V	CVTronic
EPD	PLUS	PLUS	PLUS
Joystick autoaccelerante	STD	STD	STD
Axles	Axial	Axial	Axial
Reducers	Epicyclic	Epicyclic	Epicyclic
Brakes	Dry discs	Dry discs	Dry discs

Hydraulic

Hydraulic pump	LS + FS	LS + FS	LS + FS
Delivery / pressure (L / MIN - BAR)	145 - 210	145 - 210	145 - 210
Hydraulic oil tank capacity (l)	100	100	100
Auxiliary hydraulic service on boom	●	●	●
Rear service line			

Cab

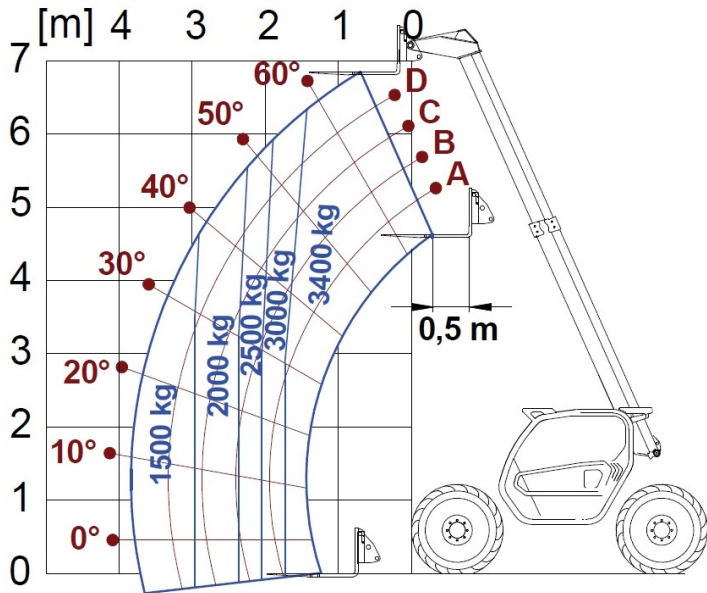
Cab finishing	ECO	ECO	ECO
ASCS	Light	Light	Light
FOPS II Cab	●	●	●
ROPS Cab	●	●	●
Controls	Electronic joystick control	Electronic joystick control	Electronic joystick control
Tilting cab			
Reverse shuttle	Dual reverse	Dual reverse	Dual reverse

Configuration

Hydropneumatic Suspension CS Merlo	●	-	●
Hydropneumatic Suspension BSS Merlo	○	○	○
Hydropneumatic Suspension EAS Merlo	-	-	-
Work lights on cab	●	●	●
Sun-shade in the cab	○	○	○
Tac-lock	●	●	●
Pre-arrangement for aerial work platform	○	○	○
Two floating forks	●	●	●
Pedal Inching-Control	●	●	●
Permanent four-wheel drive	●	●	●
All wheel steering	●	●	●
Three steering way	●	●	●
Standard tyres			
OPT tyres			
Hydraulically controlled stabilizers			
Turret rotation			
Tractor type approval	●	●	●
Pneumatic brakes (ton)	○	○	○
Hydraulic brakes (ton)	○	○	○
PTO	●	●	●
3-point rear linkage			



- not available
● standard
○ optional



Dimensions



	MF34.7CS-140	MF34.7-140	MF34.7CS-140-CVTRONIC
A - Length	5440	1325	1325
C - Wheelbase	2850	4100	4100
F - Ground clearance	430	430	430
H - Width	2240	2240	2240
M - Cabin width	1010	1010	1010
P - Height	2485	2485	2485
R - Turning radius at wheels	3825	3825	3825
S - Turning radius at forks	4900	4900	4900

Your Merlo dealer

MERLO S.P.A.

Via Nazionale, 9

12010 S. Defendente di Cervasca, (Cuneo) Italia

Tel. +39 0171 614111

Fax +39 0171 684101

info@merlo.com

www.merlo.com



