

Stabilized Telehandlers

P72.11PLUS



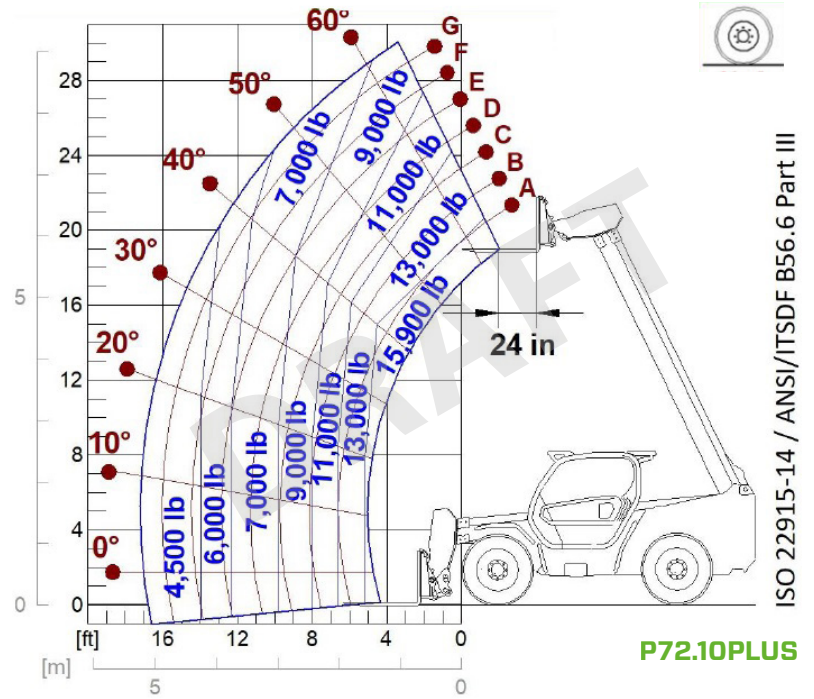
 MERLO



PERFORMANCE AND FEATURES	P72.10PLUS		
Performance			
Total unladen weight (lb)	24912		
Maximum capacity (lb)	15900		
Lifting height (ft)	30' 0"		
Maximum reach (ft)	17' 1"		
Maximum operating height (ft)	20' 8"		
Maximum operating reach (ft)	5' 1"		
Capacity at maximum height (lb)	9000		
Capacity at maximum reach (lb)	4500		
Lateral boom movement (inch)	± 9,8		
Tilting correction (%)	± 8		
Boom sections	2		
PowerTrain			
Turbo motor	PERKINS 904J		
Displacement/cylinders	3600/4		
Engine Power (kW/HP)	85,9/115		
Anti-pollution technology	STAGE V - SCR + DPF + DOC		
Reversible fan	●		
Maximum speed (mph)	25		
Fuel tank (gal)	37		
AdBlue tank (gal)	4.8		
Hydrostatic transmission	● - 2V		
EPD	Plus		
Auto-revving joystick	●		
Axles - Reducers	Drop portal - RR700		
Machine brakes	Dry discs		
Automatic parking brake	●		
Hydraulic			
Hydraulic pump	LS		
Flow rate/pressure (gal/min - psi)	27,5 - 3626		
Hydraulic tank	26.4		
Hydraulic outlet at the top of the boom	●		
Rear hydraulic outlets	○		
Cab			
Cab configuration	ECO		
ASCS Adaptive Stability Control System	Full		
FOPS LIV II cab	●		
ROPS cab	●		
Cab commands	Electronic joystick control		
Tilting Cab	-		
Reverse shuttle	Dual reverse		
Configuration			
Cab suspension	-		
Boom suspension	-		
Suspension on axles	-		
Work headlights on cab	○		
Sun blind	○		
Tac-lock	●		
Provision for a platform	○		
Two floating forks	●		
Inching-Control	●		
Four-wheel drive	●		
Four-wheel steering	●		
Three steering modes	●		
Standard tyres	400/70-24		
Optional tyres	445/65 R22,5; 18R22,5		
Stabilisers	-		
Turret rotation	-		
Type approval as an agricultural tractor	-		
Approval with PNEUMATIC braking	-		
Approval with HYDRAULIC braking	-		
PTO	-		
3-point linkage	-		

- Not Available
● Standard
○ Optional

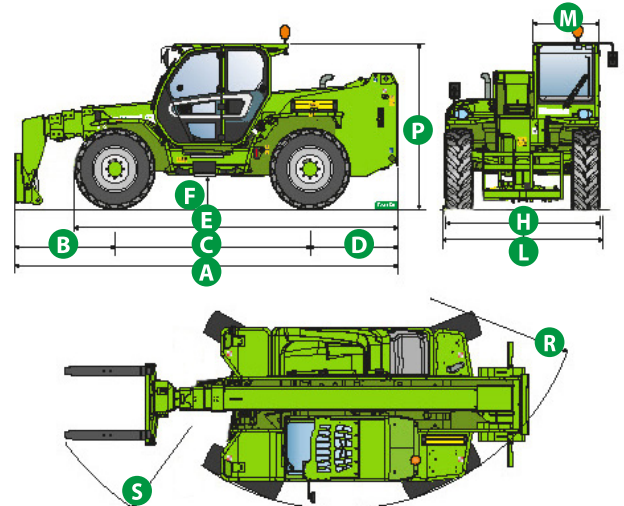
Load charts



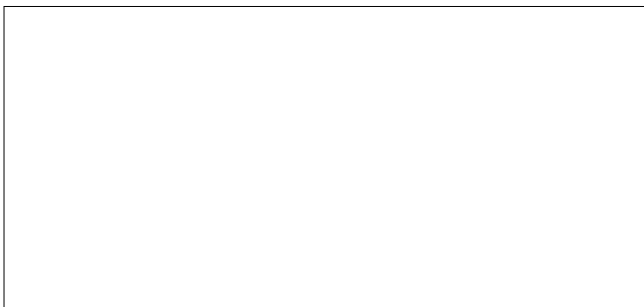
Dimensions



	P72.10 PLUS		
A (inch)	215.7		
B (inch)	49.4		
C (inch)	115.0		
D (inch)	51.3		
E (inch)	189.6		
F (inch)	17.7		
H (inch)	88.2		
L (inch)	-		
M (inch)	39.8		
P (inch)	98.4		
R (inch)	156.3		
S (inch)	196.5		



Your Merlo dealer



P72.10PLUS:

MA00899 - VIN: D1004335 - SAV: D135382 - 26/04/2022

MERLO S.P.A.

Via Nazionale, 9

12010 S. Defendente di Cervasca, (Cuneo) Italia

Tel. +39 0171 614111

Fax +39 0171 684101

info@merlo.com

www.merlo.com

