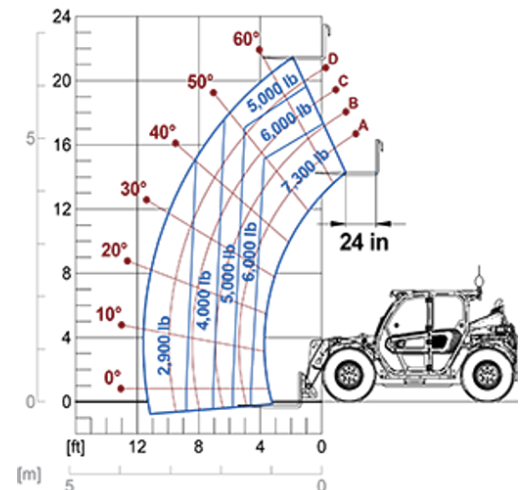


Compact Telehandlers

Regulatory area: NA
TF33.7



MODEL	TF33.7-115EE4	TF33.7-115EE4
A - Length (in)	170	170
C - Wheelbase (in)	108	108
F - Ground clearance (in)	11	11
H - Width (in)	83	83
M - Cab width (in)	40	40
P - Height (in)	83	80
S - Fork steering range (in)	183	183

MODEL	TF33.7-115EE4	TF33.7-115EE4
PERFORMANCE		
Unladen weight (lb)	14330	14330
Maximum load capacity (lb)	7300	7300
Lift height (ft)	21'	21'
Maximum reach (ft)	11'	11'
Boom side-shift (in)	—	—
Frame levelling (%)	—	—
Boom section	2	2
POWERTRAIN		
Engine	DEUTZ TCD3.6	DEUTZ TCD3.6
Range/Cylinders (l)	3.6/4	3.6/4
Engine power (kW/HP)	85/115	85/115
Anti-pollution technology	Stage V - SCR + DOC + DPF	Stage V - SCR + DOC + DPF
Reversible Fan	●	●
Maximum speed (mph)	25	25
Fuel tank capacity (gal)	22.5	22.5
AdBlue tank capacity (gal)	3.2	3.2
Hydrostatic transmission EPD	●	●
Electronic joystick	STD	STD
Axles	Axial	Axial
Brakes	Dry discs	Dry discs
HYDRAULIC		
Delivery / pressure (gal/min-psi)	33-3046	33-3046
Hydraulic oil tank capacity (gal)	22.5	22.5
CAB		
ASCS	Light	Light
FOPS/ROPS Cab	●	●
Tilting cab	—	—
CONFIGURATION		
Hydropneumatic Suspension CS Merlo	—	—
Frame suspension	—	—
Permanent four-wheel drive	●	●
Three steering way	●	●
Standard tyres	400/70-20"	400/70-20"
Hydraulically controlled stabilizers	—	—
Turret rotation	—	—
Differential lock	—	—
PTO (rpm)	—	—
3-point rear linkage (lb)	—	—

— NOT AVAILABLE • ● STANDARD • ○ OPTIONAL

Your Merlo dealer



MERLO S.P.A.

Via Nazionale, 9
12010 S. Defendente di Cervasca, (Cuneo) Italia
Tel. +39 0171 614111

info@merlo.com www.merlo.com

Release 30/04/2026 - 10:3

Data, specifications and illustrations contained in this document are indicative and not binding. Merlo S.p.A. pursues a policy of continuous research and development; therefore, products may differ from those described or be subject to change without prior notice. The products shown may include optional equipment.