

High capacity telehandlers

Panoramic 120.10





PERFORMANCE AND FEATURES

P120.10EE

Performance

Unladen weight (kg)	16200
Maximum load capacity (kg)	12000
Lift height (m)	9.8
Maximum reach (m)	5.3
Lift height at max. load capacity (m)	6.9
Reach at max. load capacity (m)	1.3
Load capacity at max. lift height (m)	7000
Load capacity at max. reach (kg)	2900
Boom side-shift (mm)	+/- 185
Frame levelling (%)	+/-8
Boom section	2



Powertrain

Engine	FPT NEF45
Range/Cylinders	4500/4
Engine power (kW/HP)	125/170
Anti-pollution technology	Stage V - SCR + DPF + DOC
Reversible Fan	—
Maximum speed (km/h)	40
Fuel tank capacity (l)	150
AdBlue tank capacity (l)	43
Hydrostatic transmission	CVTronic
EPD	STD
Joystick autoaccelerante	STD
Axles	Axial
Reducers	Epicyclic
Brakes	Wet discs



Hydraulic

Hydraulic pump	LS + FS
Delivery / pressure (L / MIN - BAR)	158 - 230
Hydraulic oil tank capacity (l)	149
Auxiliary hydraulic service on boom	●
Rear service line	○



Cab

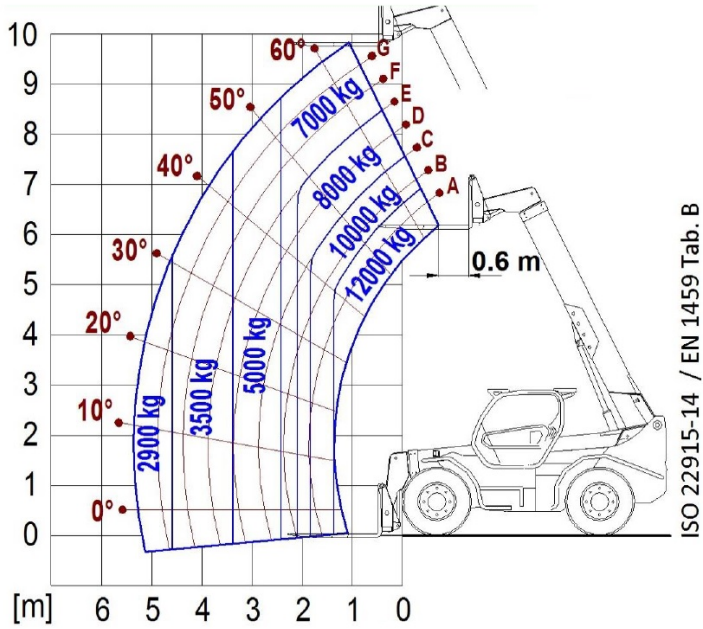
Cab finishing	PREMIUM
ASCS	Full
FOPS II Cab	●
ROPS Cab	●
Controls	Electronic joystick control
Tilting cab	—
Reverse shuttle	Dual reverse



Configuration

Hydropneumatic Suspension CS Merlo	—
Hydropneumatic Suspension BSS Merlo	—
Hydropneumatic Suspension EAS Merlo	—
Work lights on cab	●
Sun-shade in the cab	●
Tac-lock	●
Pre-arrangement for aerial work platform	—
Two floating forks	●
Pedal Inching-Control	●
Permanent four-wheel drive	●
All wheel steering	●
Three steering way	●
Standard tyres	—
OPT tyres	—
Hydraulically controlled stabilizers	—
Turret rotation	—
Tractor type approval	—
Pneumatic brakes (ton)	—
Hydraulic brakes (ton)	—
PTO	—
3-point rear linkage	—

— not available
● standard
○ optional



Dimensions



	P120.10EE		
A - Length	5770		
C - Wheelbase	3290		
F - Ground clearance	450		
H - Width	2520		
M - Cabin width	1010		
P - Height	2850		
R - Turning radius at wheels	4300		
S - Turning radius at forks	5700		

Your Merlo dealer

MERLO S.P.A.

Via Nazionale, 9

12010 S. Defendente di Cervasca, (Cuneo) Italia

Tel. +39 0171 614111

Fax +39 0171 684101

info@merlo.com

www.merlo.com



