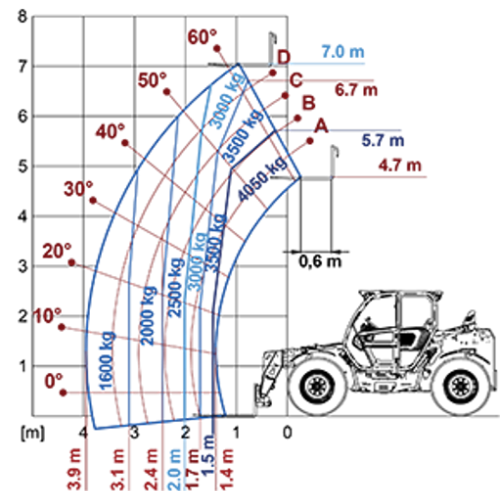


Medium Capacity Telehandlers

Regulatory area: AU
TF42.7

MERLO

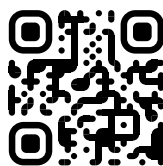


MODEL	TF42.7-116EE	TF42.7-136	TF42.7CS-136	TF42.7CS-145-CVT
A - Length (mm)	4730	4730	4730	4730
C - Wheelbase (mm)	2810	2810	2810	2810
F - Ground clearance (mm)	460	460	460	460
H - Width (mm)	2310	2310	2310	2310
M - Cab width (mm)	1010	1010	1010	1010
P - Height (mm)	2530	2530	2530	2530
S - Fork steering range (mm)	4800	4800	4800	4800

MODEL	TF42.7-116EE	TF42.7-136	TF42.7CS-136	TF42.7CS-145-CVT
PERFORMANCE				
Unladen weight (kg)	7700	7800	8000	8000
Maximum load capacity (kg)	4050	4050	4050	4050
Lift height (m)	7	7	7	7
Maximum reach (m)	3.8	3.8	3.8	3.8
Boom side-shift (mm)	—	—	—	—
Frame levelling (%)	—	—	—	—
Boom section	2	2	2	2
POWERTRAIN				
Engine	PERKINS 904	PERKINS 904	PERKINS 904	DEUTZ TCD3.6
Range/Cylinders (l)	3.6/4	3.6/4	3.6/4	3.6/4
Engine power (kW/HP)	85.9/116.8	85.9/116.8	105/136	105/143
Anti-pollution technology	Tier 3	Stage V - SCR + DOC + DPF	Stage V - SCR + DOC + DPF	Stage V - SCR + DOC + DPF
Reversible Fan	●	●	●	●
Maximum speed (km/h)	40	40	40	40
Fuel tank capacity (l)	140	140	140	140
AdBlue tank capacity (l)	—	16	16	18
Hydrostatic transmission EPD	●	●	●	CVTronic
Electronic joystick	●	●	●	●
Axles	Drop portal	Drop portal	Drop portal	Drop portal
Brakes	Dry discs	Dry discs	Dry discs	Dry discs
HYDRAULIC				
Delivery / pressure (bar-l/min)	151-250	139-250	139-250	150-250
Hydraulic oil tank capacity (l)	100	100	100	100
CAB				
ASCS	Light	Light	Light	Light
FOPS/ROPS Cab	●	●	●	●
Tilting cab	—	—	—	—
CONFIGURATION				
Hydropneumatic Suspension CS Merlo	—	—	●	●
Hydropneumatic Suspension EAS Merlo	—	—	—	—
Permanent four-wheel drive	●	●	●	●
Three steering way	●	●	●	●
Standard tyres	400/70-24"	400/70-24"	400/70-24"	400/70-24"
Hydraulically controlled stabilizers	—	—	—	—
Turret rotation	—	—	—	—
PTO (rpm)	—	—	—	—
3-point rear linkage (kg)	—	—	—	—

— NOT AVAILABLE • ● STANDARD • ○ OPTIONAL

Your Merlo dealer



MERLO S.P.A.

Via Nazionale, 9
12010 S. Defendente di Cervasca, (Cuneo) Italia
Tel. +39 0171 614111

info@merlo.com www.merlo.com

Release 25/11/2025 - 8:34

Data, specifications and illustrations contained in this document are indicative and not binding. Merlo S.p.A. pursues a policy of continuous research and development; therefore, products may differ from those described or be subject to change without prior notice. The products shown may include optional equipment.