



INSTALLATION INSTRUCTIONS FOR PART 95-9306B

U.S. PATENT # D639,289

APPLICATIONS

BMW 3 Series 2006-2013 95-9306B

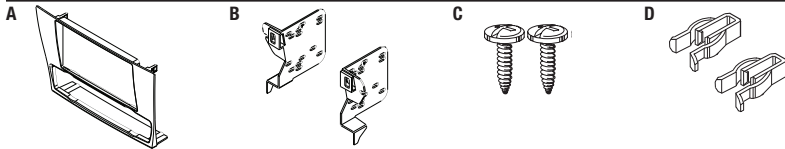
KIT FEATURES

- Double DIN radio provision
- **Painted to match factory dash**



KIT COMPONENTS

- A) Double DIN trim plate
- B) Double DIN Brackets
- C) (2) 1/2" #8 Pan head screws
- D) (2) Plastic snaps



WIRING & ANTENNA CONNECTIONS (sold separately)

Wiring Harness: • BMRC-01 - BMW mini chime interface

Antenna Adapter: • 40-EU10 - Multi application antenna adapter 2000-up

TOOLS REQUIRED

- Small flat blade screwdriver
- Panel removal tool
- Phillips screwdriver
- Torx screwdriver
- Cutting tool or file

Table of Contents

Dash Disassembly

- BMW 3 Series 2012-2013
(coupe, convertible, wagon without NAV)..... 2
- BMW 3 Series 2007-2011 *(all, without NAV)* 2
- BMW 3 Series 2006 *(sedan, wagon without NAV)* .. 2
- BMW M3 2007-2013 *(without NAV)* 2

Kit Assembly

- Double DIN radio provision..... 3

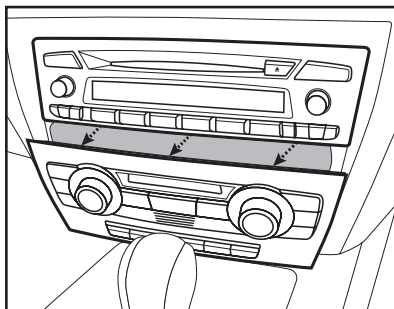
CAUTION: Metra recommends disconnecting the negative battery terminal before beginning any installation. All accessories, switches, and especially air bag indicator lights must be plugged in before reconnecting the battery or cycling the ignition.

NOTE: Refer to the instructions included with the aftermarket radio.

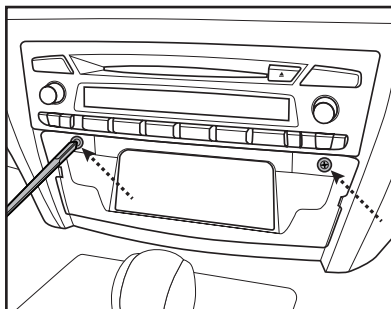
REV 11/21/2017 INST95-9306B

All Vehicles

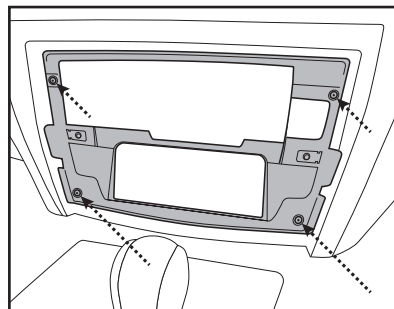
1. Carefully unclip and remove the climate controls. (Figure A)
2. Remove two Phillips screws from the bottom of the radio and remove. (Figure B)
3. Remove the four Torx screws from the sub-dash bracket and remove. (Figure C)



(Figure A)



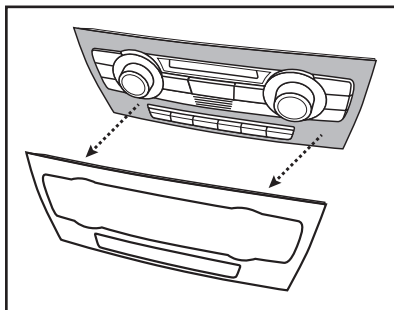
(Figure B)



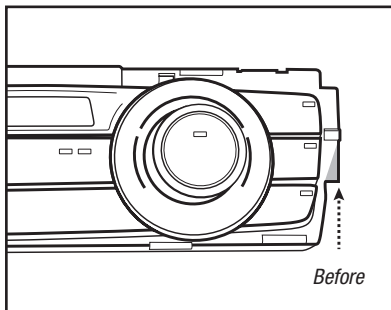
(Figure C)

Note: The bottom screw holes will be where our kit will attach to.

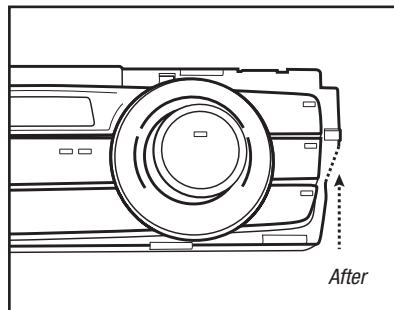
4. Remove the climate control from the climate control bezel. (Figure D)
5. Cut or file the edges of the climate controls as shown. (Figure E, F)



(Figure D)



(Figure E)



(Figure F)

Continue to kit assembly

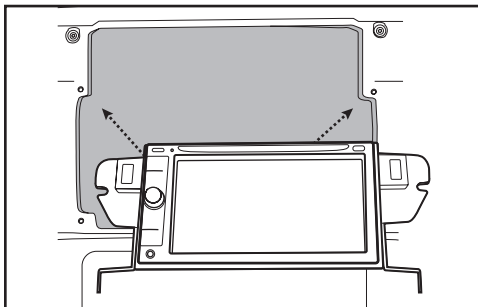


Kit Assembly 95-9306B

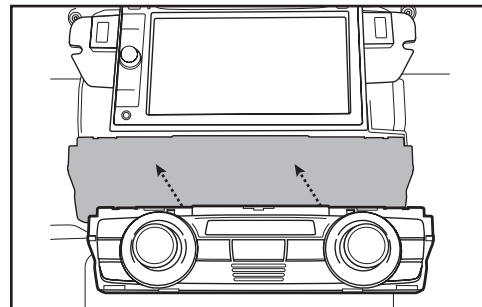
Double DIN radio provision

1. Mount the radio to the supplied double DIN brackets using screws supplied with the radio.
2. Locate the factory wiring harness in the dash. Metra recommends using the proper mating adapters from Metra and Axxess to intergrate your new radio. Re-connect the negative terminal and test the unit for proper operation.
3. Mount the radio into the dash. (Figure A)
4. Place the climate controls into the opening below the new radio and push it back as far as it will go, without damaging the dash. (Figure B)
5. Push the included snaps onto the legs on the top of the double DIN trim plate.
6. Snap the double DIN trim plate over the radio and use the supplied 1/2" screws to screw into the dash at the bottom. (Figure C)

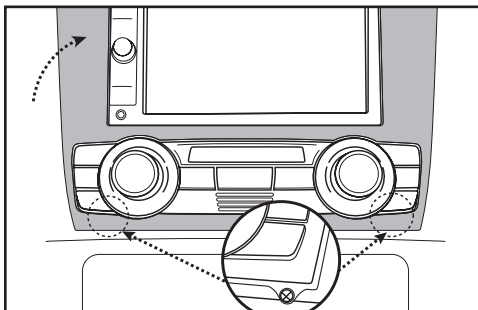
Note: If the screw holes do not line up, you may have to drill new holes.



(Figure A)



(Figure B)



(Figure C)



INSTALLATION INSTRUCTIONS FOR PART 95-9306B



REV 11/21/2017 INST95-9306B



KNOWLEDGE IS POWER

Enhance your installation and fabrication skills by enrolling in the most recognized and respected mobile electronics school in our industry. Log onto www.installerinstitute.com or call 800-354-6782 for more information and take steps toward a better tomorrow.



**Metra recommends MECP
certified technicians**