



INSTALLATION INSTRUCTIONS FOR PART 98-9306

APPLICATIONS

BMW 3 series 2006-up

(Not for models with factory navigation)

98-9306

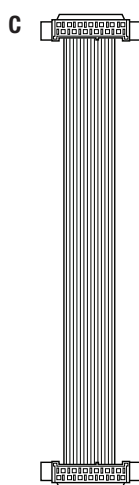
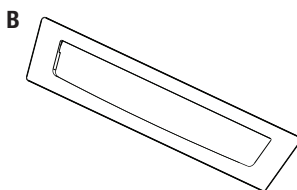
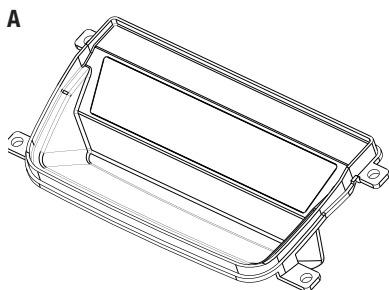
(Used For Heated Seat Models When Using The 95-9306B)

KIT FEATURES

- Relocates heated seat switches

KIT COMPONENTS

- A) Pocket
- B) Heated Seat Switch Trim Panel
- C) Extension Harness



TOOLS REQUIRED

Panel Removal Tool • Phillips Screwdriver • Torx Screwdriver • Small Flat Blade Screwdriver



METRA. THE WORLD'S BEST KITS.™



1-800-221-0932



metraonline.com

© COPYRIGHT 2004-2011 METRA ELECTRONICS CORPORATION



98-9306

Table of Contents

Dash Disassembly

– BMW 3 Series 2006-up 3-4

Kit Assembly

– BMW 3 Series 2006-up 5-6

Caution

Metra recommends disconnecting the negative battery terminal before beginning any installation. All accessories, switches, and especially air bag indicator lights must be plugged in before reconnecting the battery or cycling the ignition.

**NOTE: Refer also to the instructions included with the aftermarket radio.*



KNOWLEDGE IS POWER

Enhance your installation and fabrication skills by enrolling in the most recognized and respected mobile electronics school in our industry. Log onto www.installerinstitute.com or call 800-354-6782 for more information and take steps toward a better tomorrow.

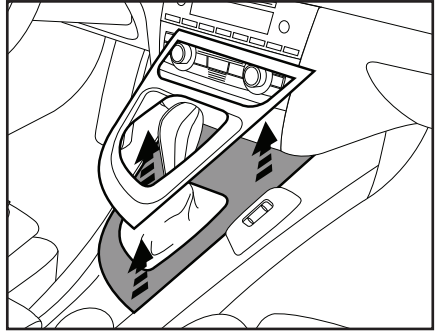


Metra recommends MECP certified technicians

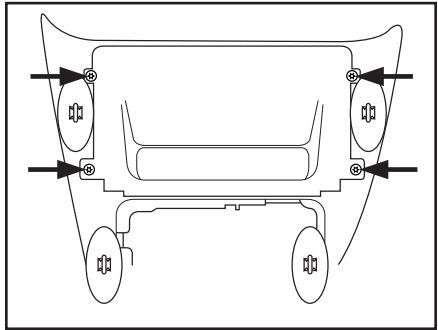
Dash Disassembly

1. Carefully unclip and remove the shifter trim panel. (Figure A)
2. Remove (4) Torx screws securing the pocket or ash tray assembly to the shifter trim panel. (Figure B)
3. Unclip and remove the heated seat switch assembly from the climate control panel.
4. Remove (5) Torx screws securing the back cover on the heated seat switch assembly. (Figure C)

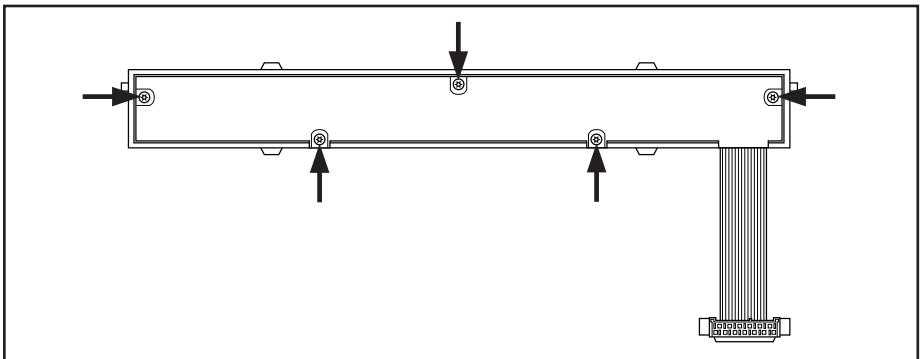
Continued on next page



(Figure A)



(Figure B)

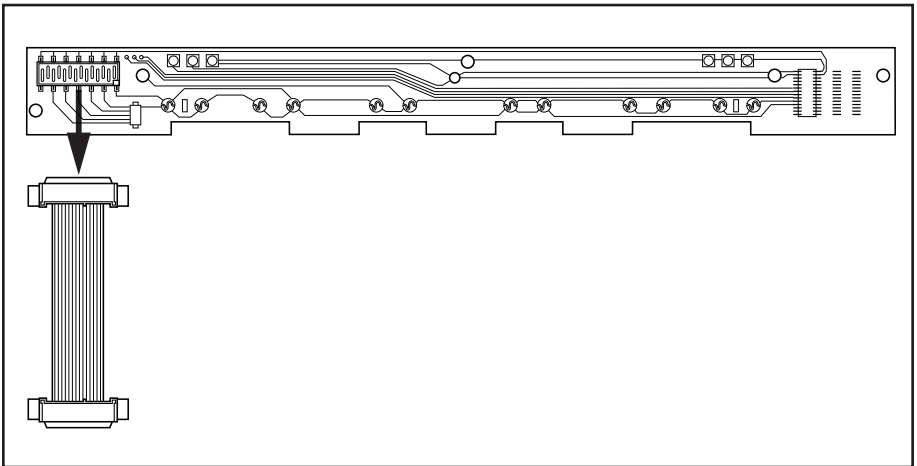


(Figure C)

Dash Disassembly

5. Remove the circuit board and unplug the factory harness. (Figure D)

Continue to kit assembly

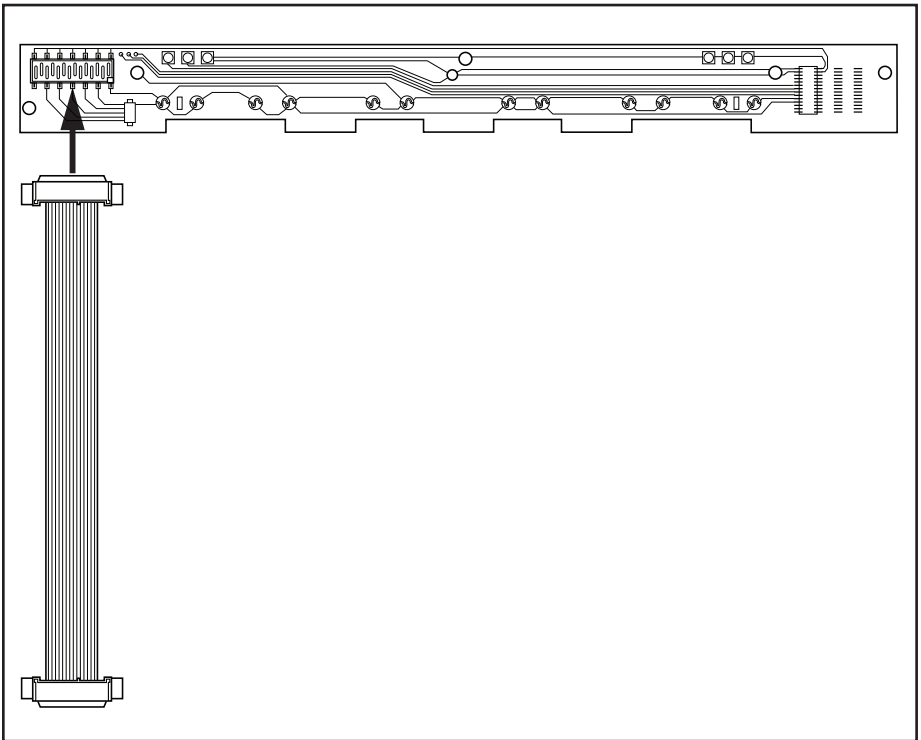


(Figure D)

Kit Assembly

1. Plug the extension harness onto the circuit board. Then reassemble the heated seat switch assembly. (Figure A)

Continued on next page



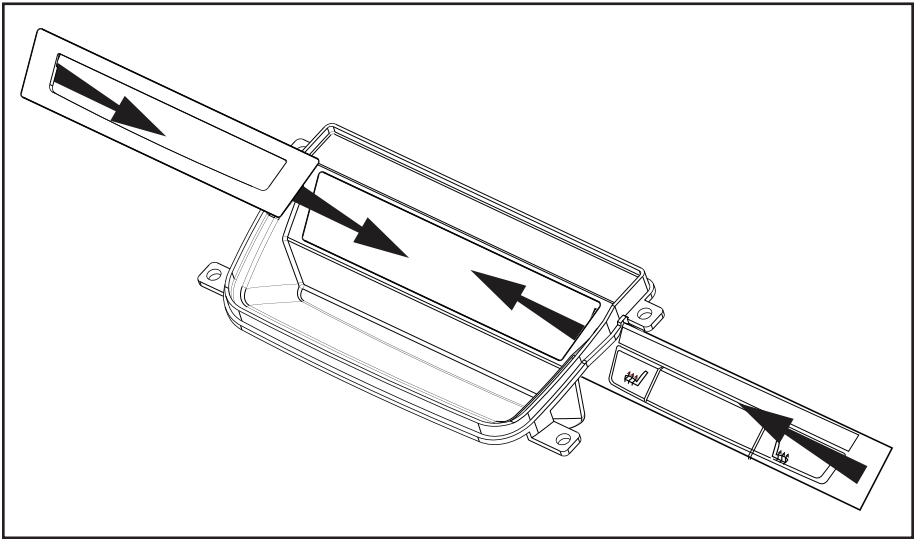
(Figure A)



98-9306

Kit Assembly

2. Clip the heated seat switch trim panel into the pocket. (Figure B)
3. Clip the heated seat switch assembly into the pocket/trim panel assembly. (Figure B)
4. Reattach the 98-9306 pocket assembly to the shifter trim panel using the factory hardware.
5. Route the extension harness through the left side of the dash cavity and plug it into the climate control.



(Figure B)



INSTALLATION INSTRUCTIONS FOR PART 98-9306

REV. 5/12/11

METRA. THE WORLD'S BEST KITS.™



1-800-221-0932



metraonline.com

© COPYRIGHT 2004-2011 METRA ELECTRONICS CORPORATION