



## INSTALLATION INSTRUCTIONS FOR PART 99-5814

### APPLICATIONS

See application list inside

# Ford/Mazda multi-kit 2008-Up 99-5814/99-5814S

## KIT FEATURES

- DIN Radio Provision with Pocket
- ISO Mount Radio Provision with Pocket
- Double DIN Radio Provision
- Stacked ISO Mount Units Provision

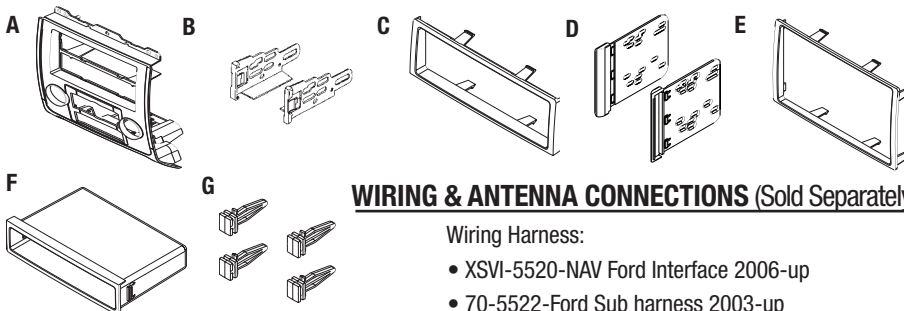
**Painted to match factory dash:**

**99-5814=Black, 99-5814S=Silver**



## KIT COMPONENTS

- A) Radio Housing • B) ISO Brackets • C) Trim Plate • D) Double DIN Brackets
- E) Double DIN Trim Plate • F) Pocket • G) (2) Spare Radio Housing Panel Clips



## WIRING & ANTENNA CONNECTIONS (Sold Separately)

Wiring Harness:

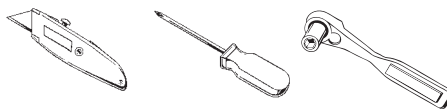
- XSVI-5520-NAV Ford Interface 2006-up
- 70-5522-Ford Sub harness 2003-up

Antenna Adapter:

- 40-CR10 Chrysler/GM antenna adapter 2002-up
- AFSI-02 if equipped w/ sync

## TOOLS REQUIRED

Cutting Tool • Phillips Screwdriver • Socket Wrench



**METRA. THE WORLD'S BEST KITS.™**



**1-800-221-0932**



**metraonline.com**

© COPYRIGHT 2004-2011 METRA ELECTRONICS CORPORATION



99-5814

# Applications

## Ford

Escape 2008-Up

## Mercury

Mariner 2008-Up

## Mazda

Tribute 2008-Up

## Table of Contents

### Dash Disassembly

- All Vehicles..... 1,2

### Kit Assembly

- Kit Preparation..... 2

- DIN Radio with Pocket Provison..... 2

- ISO Mount Radio with Pocket Provison..... 2

- Double DIN Radio Provison..... 2

- Stacked ISO Mount Units Provison..... 2

### Caution

**Metra recommends disconnecting the negative battery terminal before beginning any installation. All accessories, switches, and especially air bag indicator lights must be plugged in before reconnecting the battery or cycling the ignition.**

**\*NOTE: There are (2) extra radio housing panel clips included with the kit in case removal of the kit is necessary at any time.**

**\*NOTE: Refer also to the instructions included with the aftermarket radio.**



**KNOWLEDGE IS POWER**  
Enhance your installation and fabrication skills by enrolling in the most recognized and respected mobile electronics school in our industry. Log onto [www.installerinstitute.com](http://www.installerinstitute.com) or call 800-354-6782 for more information and take steps toward a better tomorrow.

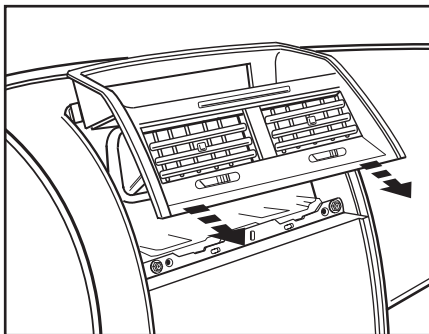


**Metra recommends MECP certified technicians**

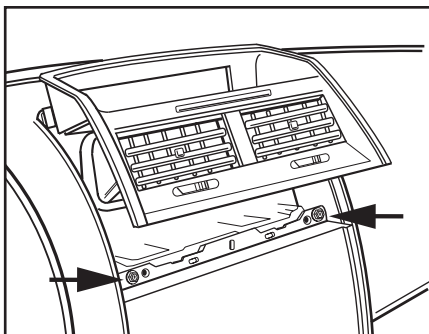
## Dash Disassembly All Vehicles

1. Unclip and remove the a/c vent panel above the radio. (Figure A)
2. Remove the (2) 7 MM screws exposed at the top of the factory radio panel. (Figure B)
3. Unclip the accessory socket/switch/aux input panel below the radio. Unplug and remove the panel. (Figure C)

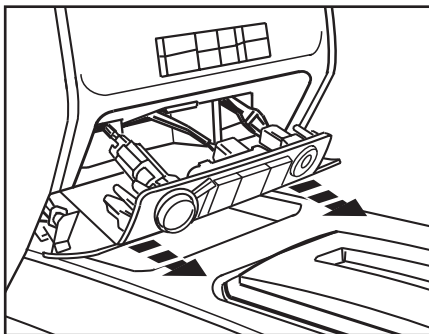
*Continue on page 2*



(Figure A)



(Figure B)

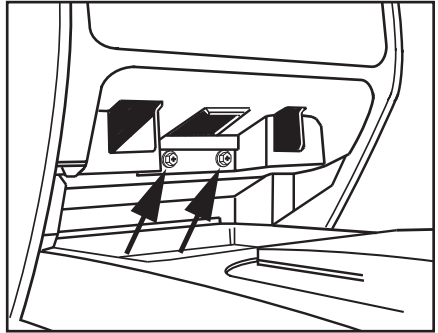


(Figure C)

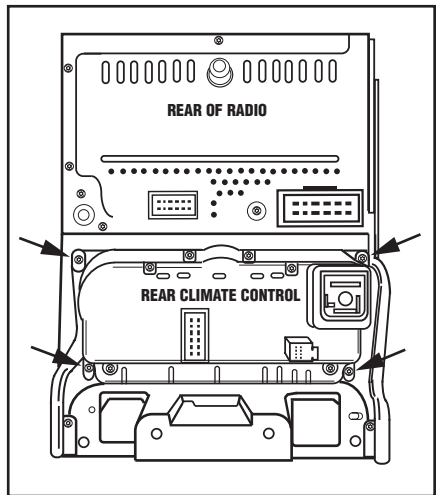
## Dash Disassembly All Vehicles

4. Remove the (2) 7 MM screws exposed at the bottom of the factory radio panel. (Figure D)
5. Slide radio out and remove (1) 8mm bolt from the right side securing the ground strap to the radio brackets. Unplug and remove the radio.
6. Remove (4) Torx screws securing the climate controls to the factory radio panel. Remove the climate controls and retain them with the factory screws for use during kit assembly. (Figure E)

*Continue to kit assembly*



(Figure A)



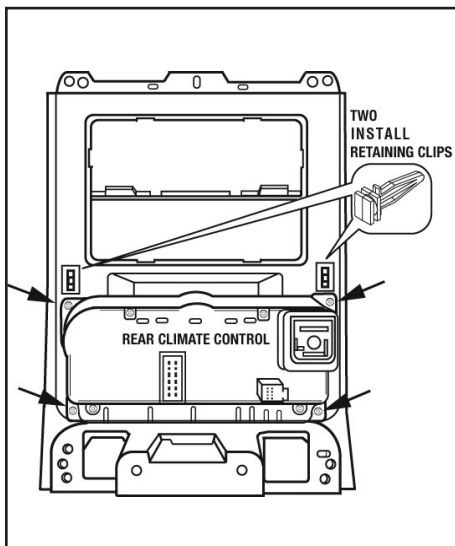
(Figure B)

## Kit Preparation

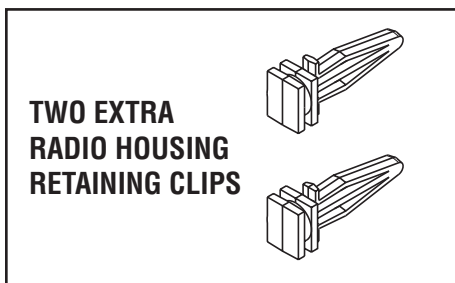
1. Attach the climate control to the radio housing using the factory hardware removed in step 7 of dash disassembly. (Figure A)

**Note:** There are (2) extra radio housing panel clips included with the kit in case removal of the kit is necessary at any time. (Figure B)

*Continue to kit assembly*



(Figure A)

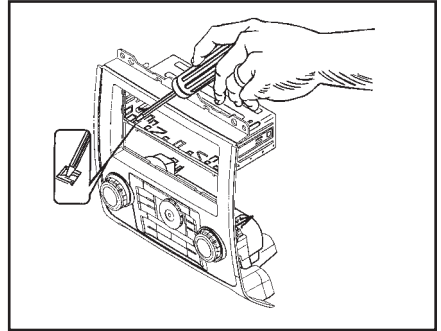


(Figure B)

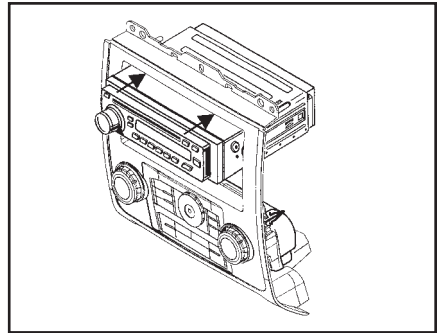
## DIN Mount Radio Provision With Pocket

1. Slide the DIN cage into the radio housing and secure by bending the metal locking tabs outward. (Figure A)
2. Slide the aftermarket radio into the DIN cage and until it snaps into place. (Figure B)
3. Snap the pocket into the radio housing. (Figure C)

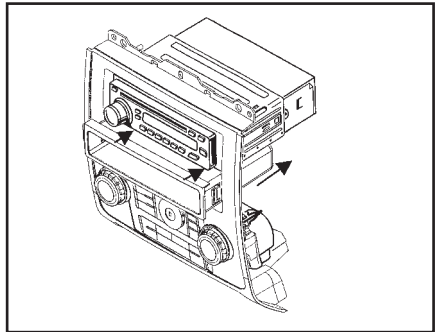
Reassemble dash in reverse order of disassembly.



(Figure A)



(Figure B)

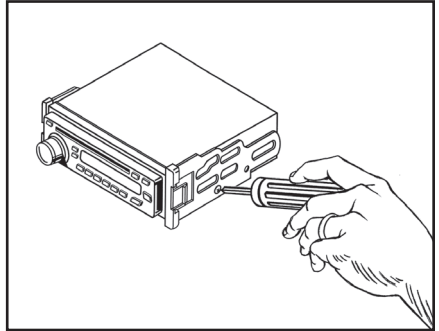


(Figure C)

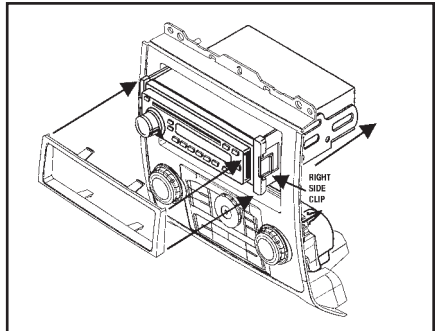
## ISO Mount Radio Provision With Pocket

1. Mount the ISO Brackets to the radio using the screws supplied with the radio. (Figure A)
2. Slide the radio into the radio housing until it snaps into place. (Figure B)
3. Snap the trim plate onto the front of the Radio Housing. (Figure B)
4. Snap the Pocket into the radio housing. (Figure C)

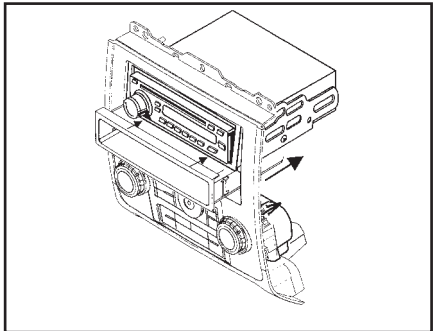
Reassemble dash in reverse order of disassembly.



(Figure A)



(Figure B)

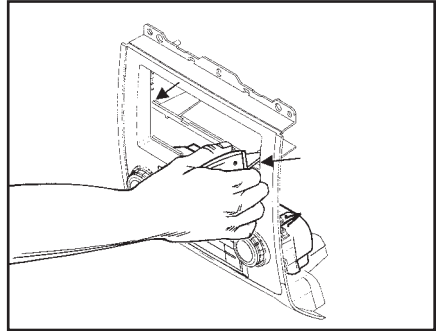


(Figure C)

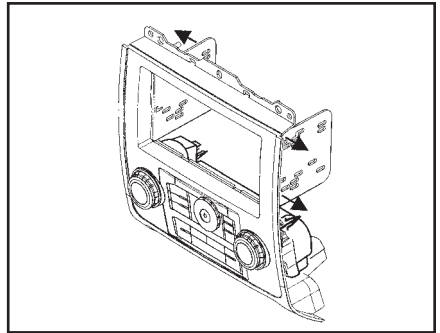
## Double DIN Radio Provision

1. Cut and remove the center bar from the radio housing. (Figure A)
2. Snap the Double DIN brackets to the inside edge of the radio housing. (Figure B)
3. Slide the Double DIN radio into the DDIN bracket/radio housing assembly and secure the radio to the assembly using the screws supplied with the radio. (Figure C)
3. Snap the Double DIN trim plate onto the front of the radio/housing assembly. (Figure C)

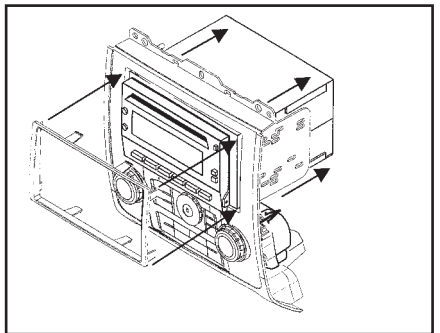
Reassemble dash in reverse order of disassembly.



(Figure A)



(Figure B)



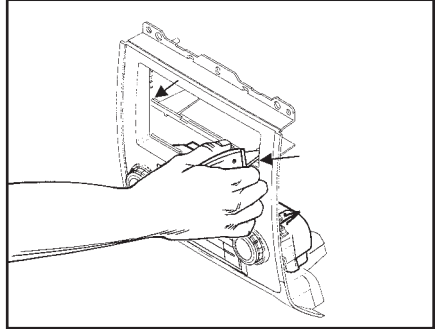
(Figure C)



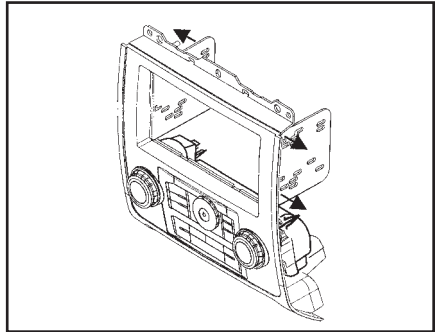
## Stacked ISO Mount Units Provision

1. Cut and remove the center bar from the radio housing. (Figure A)
2. Snap the Double DIN brackets to the inside edge of the radio housing. (Figure B)
3. Slide the stacked ISO mount units into the bracket/housing assembly and secure the units to the assembly using the screws supplied with the units. (Figure C)
4. Snap the Double DIN trim plate onto the front of the radio/housing assembly. (Figure C)

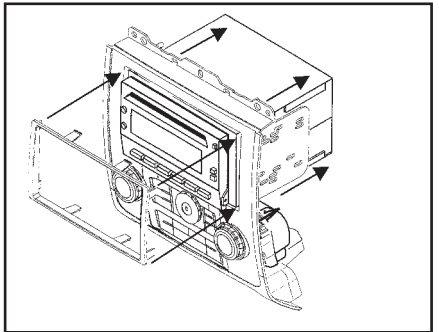
Reassemble dash in reverse order of disassembly.



(Figure A)



(Figure B)



(Figure C)



**INSTALLATION INSTRUCTIONS FOR PART 95-5817**

REV. 10/05/11

**METRA. THE WORLD'S BEST KITS.™**



**1-800-221-0932**



**metraonline.com**

© COPYRIGHT 2004-2011 METRA ELECTRONICS CORPORATION