



Ford Mustang 2010-2014

Visit MetraOnline.com for more detailed information about the product and up-to-date vehicle specific applications

KIT FEATURES

- ISO DIN radio provision with pocket
- ISO DDIN radio provision
- Touchscreen interface for climate and personalization features
- Painted charcoal with a matte black center

KIT COMPONENTS

- A) Radio/Display trim panel
- B) Radio/Display sub-trim panel upper (a) • C) Radio/Display sub-trim panel lower (b)
- D) Radio brackets upper (a)
- E) Radio brackets lower (b)
- F) Pocket
- G) (4) Panel clips
- H) (12) #6 x 3/8" Phillips pan-head screws
- I) (8) #8 x 3/8" Phillips truss-head screws
- J) Touchscreen display assembly and wiring harness
- K) Antenna adapter (not shown)

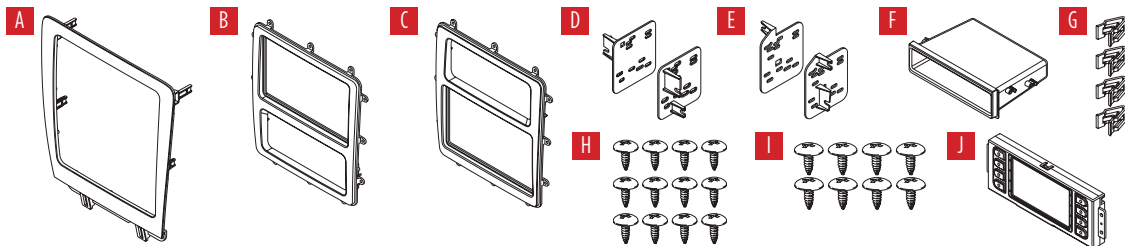


TABLE OF CONTENTS

Dash Disassembly	2
Kit Preparation	3
Kit Assembly	
–ISO DIN radio provision with pocket	4
–ISO DDIN radio provision	5
Axxess Interface Installation	6-15
Final Assembly	10

WIRING & ANTENNA CONNECTIONS

- Wiring Harness: Axxess interface built into touchscreen
- Antenna Adapter: Included with kit
- Steering wheel control interface: Included with kit

TOOLS REQUIRED

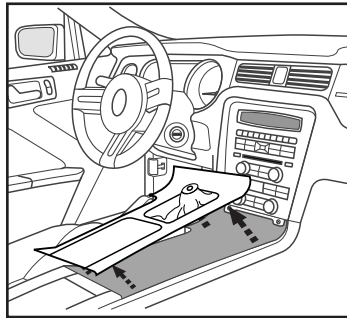
- Panel removal tool
- Phillips screwdriver
- 9/32" socket wrench

Attention! With the key out of the ignition, disconnect the negative battery terminal before installing this product. Ensure that all installation connections are secure before cycling the ignition to test this product.

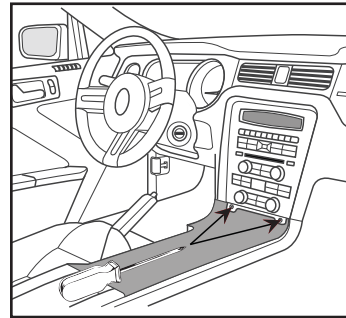
DASH DISASSEMBLY

1. Unclip and remove the trim panel surrounding the shifter, including the cup holders. (Figure A)
2. Remove (2) 9/32" screws from the bottom of the radio/climate control panel, then unclip and remove the panel. (Figure B)
3. Remove (4) Phillips screws securing the radio chassis to the vehicle. Slide the chassis out, then unplug and remove. (Figure C)
4. Remove (4) Phillips screws securing the radio display to the vehicle. Slide the display out, then unplug and remove. (Figure D)

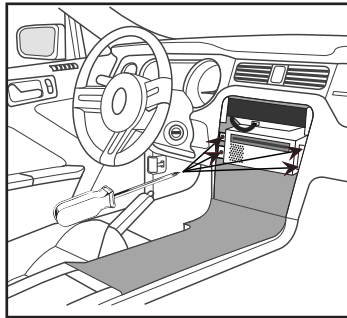
Continue to Kit Preparation



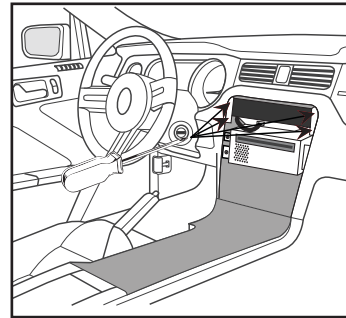
(Figure A)



(Figure B)



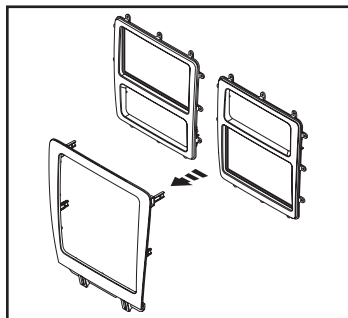
(Figure C)



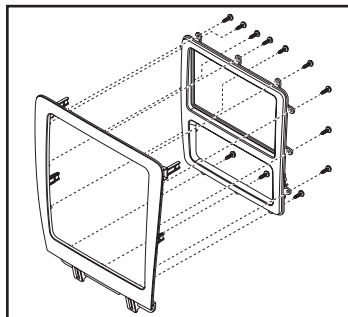
(Figure D)

KIT PREPARATION

1. There are two different **radio/display sub-trim panels** to choose from. One for mounting the radio in the upper portion of the kit, and another one for mounting it in the lower portion. (Figure A)
If mounting the radio in the upper portion, a factory module will need to be re-located:
 - a. Remove the module from the sub-dash and relocate it to the bottom of the dash opening. The mounting brackets attached to the module will need to be bent outward to make room for the radio.



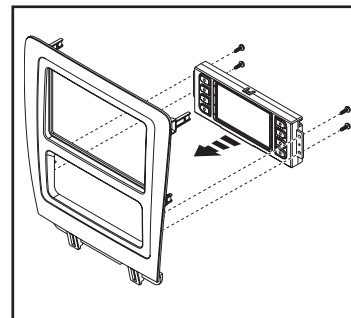
(Figure A)



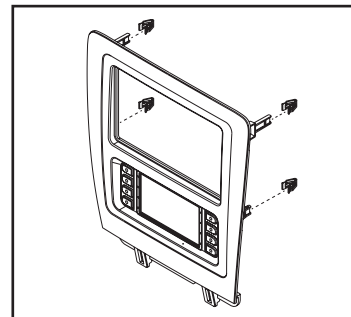
(Figure B)

2. Attach the desired **radio/display sub-trim panel** to the **radio/display panel** using the (12) #6 x 3/8" pan-head screws provided. (Figure B)
3. Attach the **touchscreen display assembly** to the **radio/display sub-panel** using the (4) #8 x 3/8" truss-head screws provided. (Figure C)
4. Attach the (4) **panel clips** provided to the **radio/display panel**. (Figure D)

Continue to Kit Assembly



(Figure C)



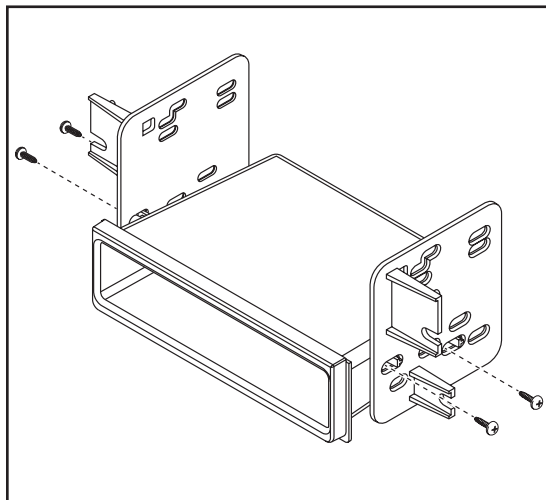
(Figure D)

KIT ASSEMBLY

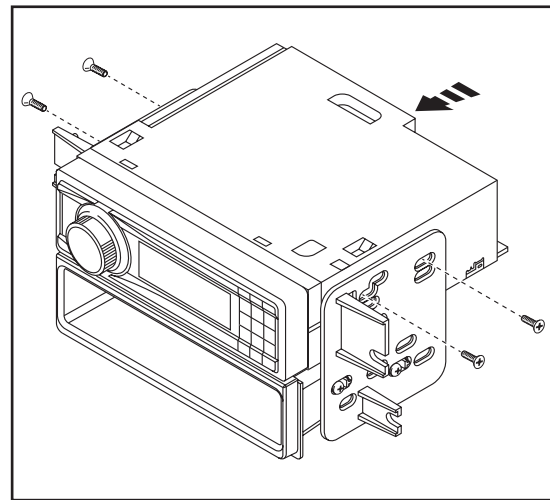
ISO DIN radio provision with pocket

1. Attach the **pocket** to the appropriate **radio brackets** using the (4) #8 x 3/8" Phillips truss-head screws provided. (Figure A)
2. Remove the metal DIN sleeve and trim ring from the aftermarket radio.
3. Slide the radio into the bracket/pocket assembly, and then secure it using the screws supplied with the radio. (Figure B)

Continue to Axxess
Interface Installation



(Figure A)



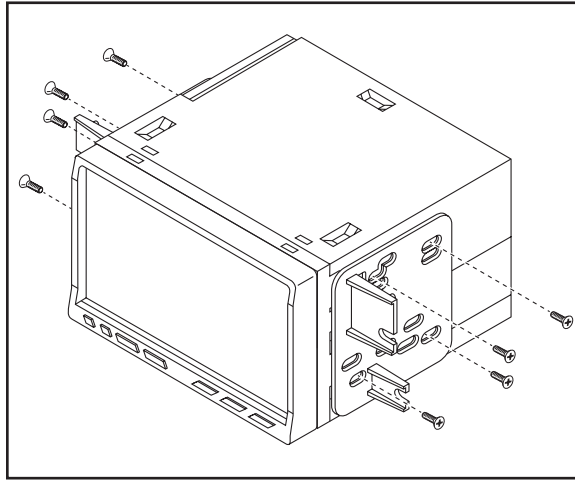
(Figure B)

KIT ASSEMBLY

ISO DDIN radio provision

1. Attach the appropriate **radio brackets** to the radio using the screws supplied with the radio. (Figure A)

*Continue to Axxess
Interface Installation*



(Figure A)

AXXESS INTERFACE INSTALLATION

INTERFACE FEATURES

- Provides accessory power (12-volt 10-amp)
- Retains R.A.P. (retained accessory power)
- Provides NAV outputs (parking brake, reverse, speed sense)
- Retains audio controls on the steering wheel
- Retains SYNC
- Retains the factory AUX-IN jack
- Provides an aftermarket backup camera input
- Can be used in both amplified and non-amplified models
- Retains balance and fade
- Micro-B USB updatable

INTERFACE COMPONENTS

- Axxess interface (built into the touchscreen display)
- 5839 harness
- 16-pin harness with stripped leads
- 4-pin harness with yellow RCA jacks
- Female 3.5mm jack with stripped leads
- SYNC bypass harness LD-FD54PTT

TABLE OF CONTENTS

Connections.....	7-8
Installation.....	9
Programming.....	9
Extra features (SYNC).....	10
Touchscreen display operation.....	11-12
Steering wheel control settings.....	13-14
Troubleshooting.....	15

TOOLS REQUIRED

- Crimping tool and connectors, or solder gun, solder, and heat shrink
- Tape • Wire cutter • Zip ties

CONNECTIONS

From the 16-pin harness with stripped leads to the aftermarket radio:

- Connect the **Red** wire to the accessory wire.
- If the vehicle is equipped with a Shaker/Shaker-Pro sound system or NAV, connect the **Blue/White** wire to the amp turn on wire. This wire must be connected to hear sound from the factory amplifier.
- If the aftermarket radio has an illumination wire, connect the **Orange/White** wire to it.
- If the aftermarket radio has a mute wire and the vehicle is equipped with SYNC, connect the **Brown** wire to it. If the mute wire is not connected, the radio will turn off when SYNC is activated.
- Connect the **Gray** wire to the right front positive speaker output.
- Connect the **Gray/Black** wire to the right front negative speaker output.
- Connect the **White** wire to the left front positive speaker output.
- Connect the **White/Black** wire to the left front negative speaker output.

The following (3) wires are only for multimedia/navigation radios that require these wires.

- Connect the **Blue/Pink** wire to the VSS/speed sense wire.
- Connect the **Green/Purple** wire to the reverse wire.
- Connect the **Light Green** wire to the parking brake wire
- Tape off and disregard the following (4) wires, they will not be used in this application: **Green, Green/Black, Purple, Purple/Black**

From the 5839 harness to the aftermarket radio:

- Connect the **Black** wire to the ground wire.
- Connect the **Yellow** wire to the battery wire.
- Connect the **Blue** wire to the power antenna wire.
- If the vehicle is equipped with NAV, connect the **Blue/White** wire with a red connector to the amp turn on wire. This wire must be connected to hear sound from the factory amplifier.
- Connect the **Green** wire to the left rear positive speaker output.
- Connect the **Green/Black** wire to the left rear negative speaker output.
- Connect the **Purple** wire to the right rear positive speaker output.
- Connect the **Purple/Black** wire to the right rear negative output.
- **For models with SYNC:** Connect the **Red** and **White** RCA jacks labeled “RSE/SYNC/SAT”, to the audio AUX-IN jacks. Disregard the **Red** and **White** RCA jacks labeled “FROM 3.5”, they will not be used in this application.
- **For models without SYNC:** Connect the **Red** and **White** RCA jacks labeled “FROM 3.5”, to the audio AUX-IN jacks. Disregard the **Red** and **White** RCA jacks labeled “RSE/SYNC/SAT”, they will not be used in this application.
- Disregard the DIN jack, it will not be used in this application.

LD-FD54PTT SYNC bypass harness:

For bluetooth control of the aftermarket radio from the factory SWC. Unplug the factory SYNC module located behind the glove box, then tap the **Yellow/Red** on **5839 harness** with the **Gray/Red** from the **54PTT harness**.

Continued on the next page

For models *with* a Shaker system:

- Connect the **White** RCA jack labeled “SUBWOOFER”, to the subwoofer out jack.
- Disregard the **Red** RCA jack labeled “CENTER CHANNEL”, it will not be used in this application.
- Enable **Audio Output Attenuation** in **Configuration Settings** after the kit has been programmed.

For models *with* a Shaker Pro system:

- Connect the **Red** RCA jack labeled “CENTER CHANNEL”, to the subwoofer out jack.
- Disregard the **White** RCA jack labeled “SUBWOOFER”, it will not be used in this application.
- Enable **Audio Output Attenuation** in **Configuration Settings** after the kit has been programmed.

4-pin harness with yellow RCA jacks:

This harness is to be used to add an aftermarket backup camera to the touchscreen display, if so desired.

- Connect the **Yellow** RCA jack labeled “Rearview camera”, to the RCA jack on the aftermarket backup camera.
- Disregard the **Yellow** RCA jack labeled “AUX video”, it will not be used in this application.

3.5mm jack - steering wheel control retention:

The 3.5mm jack is to be used to retain audio controls on the steering wheel control.

- **For the radios listed below:** Connect the **female 3.5mm connector with stripped leads**, to the male 3.5mm SWC jack from the **5839 harness**. Any remaining wires tape off and disregard.
 - **Eclipse:** Connect the steering wheel control wire, normally **Brown**, to the **Brown/White** wire of the connector. Then connect the remaining steering wheel control wire, normally **Brown/White**, to the **Brown** wire of the connector.
 - **Metra OE:** Connect the steering wheel control Key 1 wire (**Gray**) to the **Brown** wire.
 - **Kenwood or select JVC with a steering wheel control wire:** Connect the **Blue/Yellow** wire to the **Brown** wire.

Note: If your **Kenwood** radio auto detects as a **JVC**, manually set the radio type to **Kenwood**. See the instructions under changing radio type.
 - **XITE:** Connect the steering wheel control SWC-2 wire from the radio to the **Brown** wire.
 - **Parrot Asteroid Smart or Tablet:** Connect the 3.5mm jack into the AX-SWC-PARROT (sold separately), and then connect the 4-pin connector from the AX-SWC-PARROT into the radio.

Note: The radio must be updated to rev. 2.1.4 or higher software.
 - **Universal “2 or 3 wire” radio:** Connect the steering wheel control wire, referred to as Key-A or SWC-1, to the **Brown** wire of the connector. Then connect the remaining steering wheel control wire, referred to as Key-B or SWC-2, to the **Brown/White** wire of the connector. If the radio comes with a third wire for ground, disregard this wire.

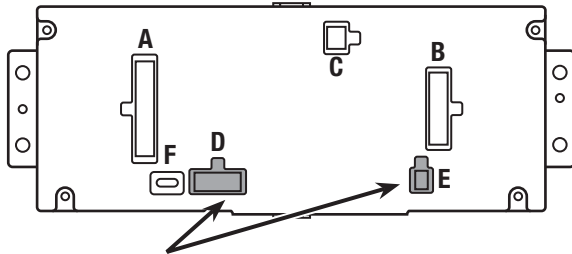
Note: After the interface has been programmed to the vehicle, refer to the manual provided with the radio for assigning the SWC buttons. Contact the radio manufacturer for more information.
- **For all other radios:** Connect the 3.5mm jack into the port on the radio designated for an external steering wheel control interface. Refer to the manual provided with the radio if in doubt as to where the 3.5mm jack goes to.

INSTALLATION

It is highly advisable to read the following steps beforehand, to ensure a clear understanding of what is to be expected. The following steps must be done in the order that they are numbered.

With the vehicle completely off:

1. Connect the **16-pin harness with stripped leads** into port “B” in the touchscreen display.
2. Connect the **5839 harness** to the wiring harnesses in the vehicle. These harnesses are the ones removed in step 3 of dash disassembly. Then insert the **5839 harness** into port “A” in the touchscreen display. But do not install this harness until exactly before step 1 from the **Programming** section. This is a timed process.
3. If installing a backup camera, and the image is desired to be displayed onto the touchscreen display, connect the **4-pin harness with yellow RCA jacks** into port “C” in the touchscreen display.
4. Disregard ports “D” and “E”, they will not be used in this application.
5. Port “F” is an update port for future firmware upgrades.
6. Locate the factory antenna connector in the dash and complete all necessary connections to the radio. Use the antenna adapter provided to adapt the factory antenna connector to the aftermarket radio.



Note: DO NOT CONNECT!

PROGRAMMING

1. Refer to step 2 from the **Installation** section.
 2. Start the vehicle.
 3. Program the kit:
 - a. Once the touchscreen display loads up, select the vehicle type.
 - b. Wait until the radio comes on, and the touchscreen display shows **SWC Configured***. This process may take up to 3 minutes.
- Note:** If the touchscreen display does not load up, or the radio doesn't come on within 3 minutes, and/or the touchscreen display does not show **SWC Configured***, check all connections, then reset the interface and try again. Refer to the **Troubleshooting** section.
- * For models with steering wheel controls.
4. Cycle the key off. If the driver's door is closed, open and close the door. Cycle the key back on.
 5. Test all functions of the installation for proper operation, before reassembling the dash.

FINAL ASSEMBLY

1. Secure the completed assembly to the dash using the factory screws.
2. Reassemble the dash in reverse order of disassembly using the 99-5839CH radio display trim panel.

EXTRA FEATURES

SYNC (4.2-inch display screen models only):

If the vehicle is equipped with SYNC, the 99-5839CH can retain this feature.

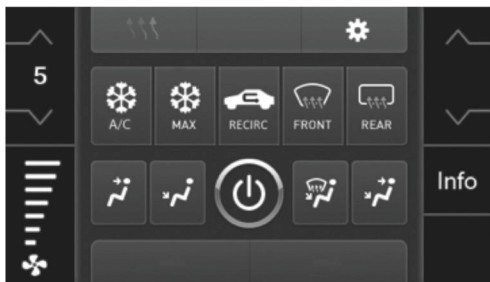
1. Change the source of the radio to AUX-IN.
2. Press the **Info** button on the touchscreen display to enter the SYNC menu. Press the climate control icon to get back to the main menu.

TOUCHSCREEN DISPLAY OPERATION

Climate Control screen



Automatic climate controls



Manual climate controls

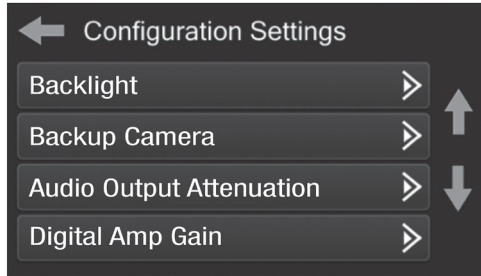
- This is the climate control screen which will be displayed on the touchscreen display. This is considered the main screen.
- The upper left tab with (3) arrows will take you to the **Heated/Cooled*** seats screen, and the **Heated Steering*** screen, if applicable.
- The upper right tab with the gear icon will take you to the **Configuration Settings** screen.
- **Auto climate models:** The climate controls will function in the same manner that they did with the factory climate controls.
- **Manual climate models:** The climate controls will function in the same manner that they did with the factory climate controls, yet via touchscreen buttons instead. The temperature control will display a numerical scale, with “LO” being the coldest, and “HI” being the hottest: LO / 1-9 / HI

Note: The “Info” button will only be shown if SYNC® is to be retained.

Continued on the next page

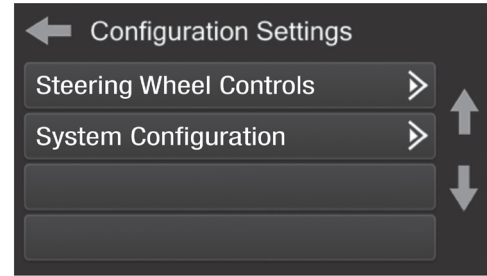
TOUCHSCREEN DISPLAY OPERATION (CONT.)

Configuration Settings



- **Backlight**
 - For controlling the color of the buttons and back-light intensity.
- **Backup Camera**
 - Enable/disables the backup camera image to the touchscreen display. Disabled by default.
- **Audio Output Attenuation***
 - Enables lowering the output of the interface for models equipped with a Shaker/Shaker Pro sound system. Disabled by default.
- **Digital Amp Gain***
 - For adjusting the output gain.

* Not available



- **Steering Wheel Controls**
 - Remap Buttons – For remapping the steering wheel control buttons
 - Dual Assign – For dual assigning the steering wheel control buttons (long button press)
 - Select Radio – For auto detecting the radio, or changing the radio type
- **System Configuration**
 - About - Information regarding the software in the kit
 - Reset Vehicle Type - To reset the kit to default settings
 - Comfort Options Override - Enable/disables factory seat temperature options. Disabled by default.

STEERING WHEEL CONTROL SETTINGS

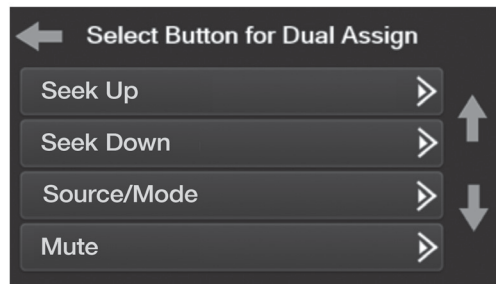
Remap Buttons



- The interface has the ability to change the button assignment for the steering wheel control audio buttons, except Volume-Up and Volume-Down. Follow the prompts on the touchscreen display to remap the steering wheel control audio button(s) to your liking.

Note: The aftermarket radio may not have all of these commands. Please refer to the manual provided with the radio, or contact the radio manufacturer, for specific commands recognized by that particular radio.

Dual Assign



- The interface has the capability to assign two functions to a single button, except Volume-Up and Volume-Down. Follow the prompts on the touchscreen display to program the button(s) to your liking.

Note: Seek-Up and Seek-Down come programmed as Preset-Up and Preset-Down for a long button press.

Continued on the next page

STEERING WHEEL CONTROL SETTINGS (CONT.)

Select Radio



- To show which brand radio is “auto detected” to the interface, press the “Autodetect” button. The radio detected will have a filled in circle. If the incorrect radio is shown, select the proper radio.
- Following is a list of radio manufacturers that the interface presently acknowledges. Others may be added at a later date. Universal “2 or 3 wire” radios can show up as any of these radio manufacturers.

Eclipse (Type 1) †	JVC	Clarion (Type 2) †	Parrot **
Kenwood ‡	Pioneer/Jensen	Metra OE	XITE
Clarion (Type 1) †	Alpine *	Eclipse (Type 2) †	Philips
Sony / Dual	Visteon	LG	JBL
	Valor		

*** Note:** If the interface shows an Alpine radio, and you do not have an Alpine radio, that means the interface does not detect a radio connected it, i.e., an open connection. Verify that the 3.5mm jack is connected to the correct steering wheel jack/wire in the radio.

**** Note:** The AX-SWC-PARROT is required (sold separately). Also, the Parrot radio must be updated to rev. 2.1.4 or higher through www.parrot.com.

† Note: If you have a Clarion radio and the steering wheel controls do not work, change the radio type to the other Clarion radio type; same for Eclipse.

‡ Note: If you have a Kenwood radio and the touchscreen display shows a JVC radio, change the radio type to Kenwood.

TROUBLESHOOTING

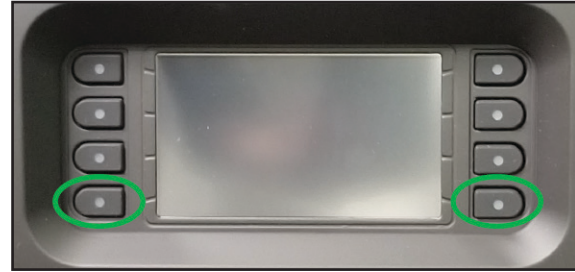
Resetting the interface

Option # 1

1. With everything connected and the car running.
2. Hold the bottom (2) buttons for 3 seconds, then release. (Figure A)
(The screen will turn black and then put you in the vehicle selection screen)
3. Select your vehicle and wait till the “SWC Configured “ appears on the screen.
4. Turn ignition off and start vehicle, then test your interface.

Option #2

1. With the vehicle running, press the **Reset Vehicle Type** button mentioned in **System Configuration**.
2. Refer to **Programming**, step 3, from this point.



(Figure A)



99-5839CH
INSTALLATION INSTRUCTIONS



Having difficulties? We're here to help.



Contact our Tech Support line at:

386-257-1187



Or via email at:

techsupport@metra-autosound.com

Tech Support Hours (Eastern Standard Time)

Monday - Friday: 9:00 AM - 7:00 PM

Saturday: 10:00 AM - 7:00 PM

Sunday: 10:00 AM - 4:00 PM



KNOWLEDGE IS POWER

Enhance your installation and fabrication skills by enrolling in the most recognized and respected mobile electronics school in our industry. Log onto www.installerinstitute.com or call 800-354-6782 for more information and take steps toward a better tomorrow.



**Metra recommends MECP
certified technicians**



Ford Mustang 2010-2014

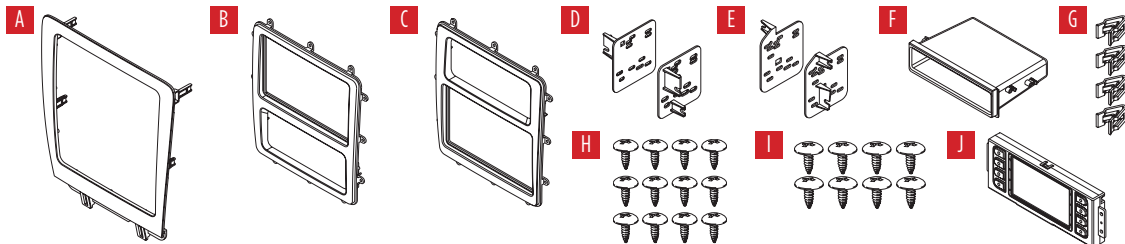
Visite MetraOnline.com para obtener información más detallada sobre el producto y el vehículo actualizado aplicaciones específicas.

CARACTERÍSTICAS DEL KIT

- Provisión de radio ISO DIN con cavidad
- Provisión de radio ISO DDIN
- Pintura gris oscuro con centro negro mate
- Pantalla táctil para el clima y características de personalización

COMPONENTES DEL KIT

- A) Panel de la moldura del radio/pantalla • B) Panel de la sub moldura del radio/pantalla superior (a) • C) Panel de la sub moldura del radio/pantalla inferior (b)
- D) Soportes del radio superiores (a) • E) Soportes del radio inferiores (b) • F) Cavidad • G) (4) Ganchos para panel
- H) (12) Tornillos Phillips #6 de 3/8" Phillips de cabeza troncocónica • I) (8) Tornillos Phillips #8 de 3/8" de cabeza segmentada
- J) Ensamble de pantalla táctil con arnés de cableado • K) Adaptador de antena (no se muestra)



INDICE

Desmontaje del tablero	2
Preparación del kit.....	3
Ensamble del kit	
– Provisión de radio ISO DIN con cavidad.....	4
– Provisión de radio ISO DDIN.....	5
Instalación de la interfase Axxess.....	6-15

CABLEADO Y CONEXIONES DE ANTENA

Arnés de cables: Incluye interfaz y arnés Axxess
Adaptador de antena: Incluido con kit

HERRAMIENTAS REQUERIDAS

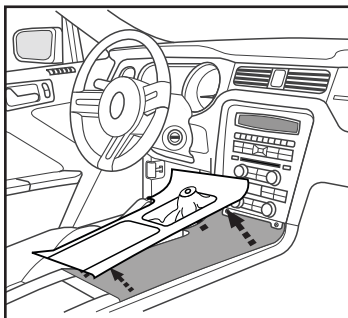
- Herramienta para quitar paneles
- Destornillador Phillips • Llave del tubo 9/32"

¡PRECAUCIÓN! Todos los accesorios, interruptores, paneles de controles de clima y especialmente las luces del indicador de las bolsas de aire deben estar conectados antes ciclar la ignición. Además, no quite el radio de fábrica con la llave en la posición de encendido ni con el vehículo funcionando.

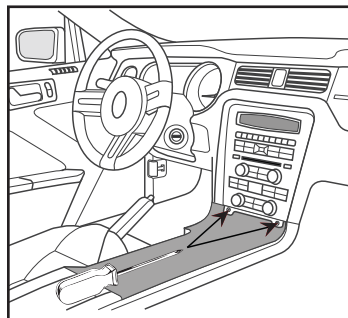
DESMONTAJE DEL TABLERO

1. Desenganche y retire el panel de moldura que rodea la palanca de velocidades, incluyendo los portavasos. (Figura A)
2. Quite los (2) tornillos de 9/32" de la parte inferior del panel del radio/control del clima, y luego desenganche y quite el panel. (Figura B)
3. Quite los (4) tornillos Phillips que sujetan el chasis del radio y quite. (Figura C)
4. Quite los (4) tornillos Phillips que sujetan la pantalla del radio al vehículo. Deslice la pantalla hacia afuera, luego desenchúfela y retírela. (Figura D)

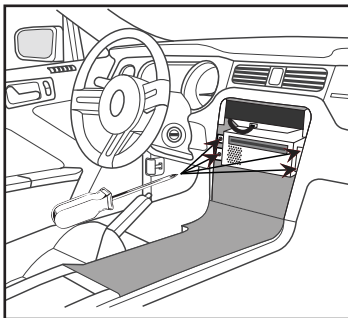
Continuar la preparación del kit



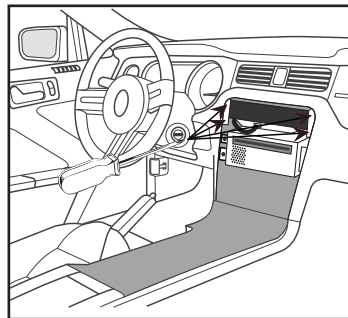
(Figura A)



(Figura B)



(Figura C)

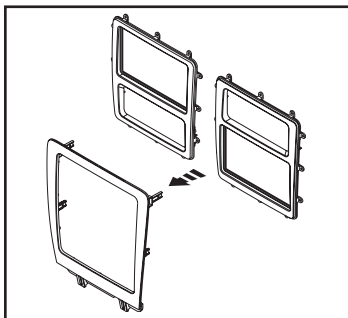


(Figura D)

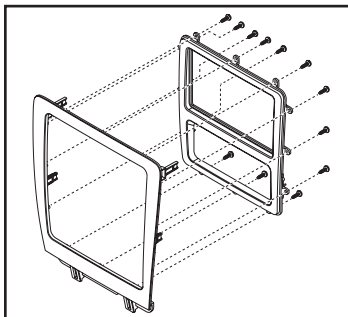
PREPARACIÓN DEL KIT

1. Hay dos paneles de la sub moldura del radio/pantalla diferentes de dónde escoger. Uno para montar el radio en la porción superior del kit y otro para montarlo en la porción inferior. (Figura A) Si se va a montar el radio en la porción superior, se necesitará reubicar un módulo de fábrica:

- a. Retire el módulo del sub tablero y reubíquelo a la parte inferior de la abertura del tablero. Los soportes de montaje sujetados al módulo deberán estar doblados hacia afuera para hacer espacio para el radio.



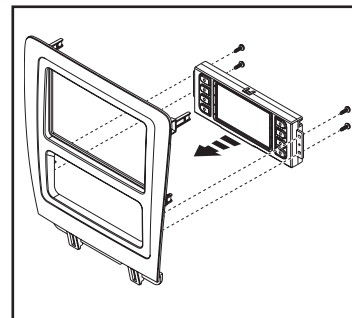
(Figura A)



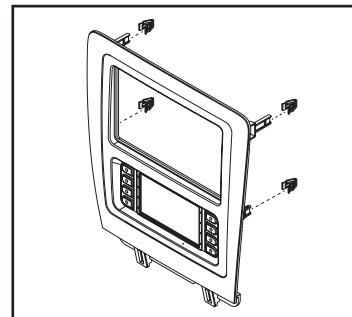
(Figura B)

2. Sujete el panel de la sub moldura del radio/pantalla deseado al panel del radio/pantalla, usando los (12) tornillos #6 de 3/8" de cabeza troncocónica suministrados. (Figura B)
3. Sujete el ensamble de la pantalla táctil al sub panel del radio/pantalla, usando los (4) tornillos #8 de 3/8" de cabeza segmentada suministrados. (Figura C)
4. Sujete los (4) ganchos para panel incluidos en el panel del radio/pantalla. (Figura D)

Continúe con el ensamble del kit



(Figura C)



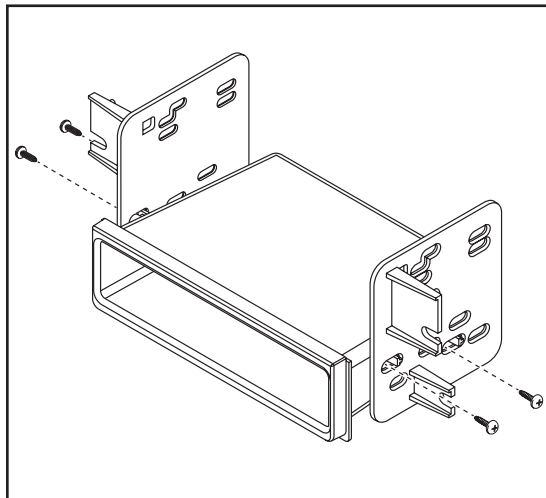
(Figura D)

ENSAMBLE DEL KIT

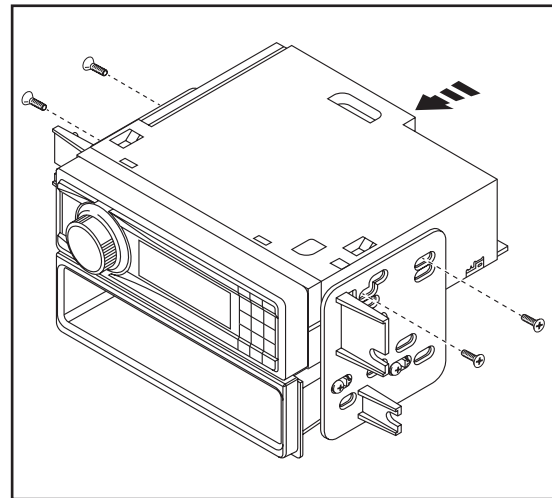
Provisión de radio ISO DIN con cavidad

1. Sujete la *cavidad* a los *soportes del radio* apropiados usando los (4) tornillos Phillips #8 de 3/8" de cabeza segmentada suministrados. (Figura A)
2. Quite la manga de metal DIN y el anillo de moldura del radio de mercado secundario.
3. Deslice el radio hacia adentro del ensamble del soporte/cavidad y después sujételo usando los tornillos suministrados con el radio. (Figura B)

Continúe con la instalación de la interfaz Axxess



(Figura A)



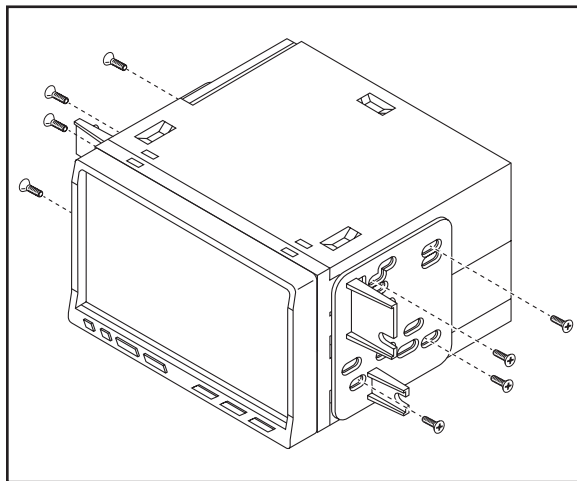
(Figura B)

ENSAMBLE DEL KIT

Provisión de radio ISO DDIN

1. Sujete los soportes al radio apropiados al radio usando los tornillos suministrados con el radio. (Figura A)

Continúe con la instalación de la interfaz Axxess



(Figura A)

INSTALACIÓN DE LA INTERFASE AXCESS

CARACTERÍSTICAS DE LA INTERFAZ

- Provee corriente de accesorio (12 voltios 10 amperes)
- Retiene R.A.P. (corriente de accesorio retenida)
- Proporciona salidas de NAV (freno de mano, reversa, sensor de velocidad)
- Retiene los controles de audio en el volante
- Retiene SYNC
- Retiene el conector AUX-IN de fábrica
- Provee una entrada para la cámara de reversa de mercado secundario
- Se puede usar en modelos amplificados y en modelos no amplificados
- Retiene el balance y la intensidad
- Actualizable por micro "B" USB

COMPONENTES DE LA INTERFAZ

- Interfaz Axxess (integrada a la pantalla táctil)
- Arnés 5839
- Arnés de 16 pins con conectores pelados
- Arnés de 4 pins con conectores RCA amarillos
- Conector hembra de 3.5mm con conectores pelados

INDICE

Conexiones	7-8
Instalación	9
Programación.....	9
Ensamble finale	10
Características adicionales	10
Operación de la pantalla táctil.....	11-12
Configuración del control en el volante.....	13-14
Resolución de problemas.....	15

HERRAMIENTAS REQUERIDAS

- Herramienta de ponchadora y conectores, o pistola de soldadura, soldadura y termocontracción
- Cinta • Cortacables • Zip lazos • Pequeño destornillador de cabeza plana

Del arnés de 16 pins con conectores pelados al radio de mercado secundario:

- Conecte el cable **rojo** al cable de accesorios.
- Si el vehículo está equipado con un sistema de sonido Shaker o NAV, conecte el cable **azul/blanco** al cable de encendido del amplificador. Este cable debe estar conectado para escuchar sonido del amplificador de fábrica.
- Si el radio de mercado secundario tiene cable de silencio, conecte a él el cable **anaranjado/blanco**.
- Si el radio de mercado secundario tiene cable de silencio y el vehículo está equipado con SYNC conecte a él el cable **marrón**. Si el cable de silencio no está conectado, el radio se apagará cuando se active SYNC.
- Conecte el cable **gris** con la salida positiva de la bocina derecha delantera.
- Conecte el cable **gris/negro** con la salida negativa de la bocina derecha delantera.
- Conecte el cable **blanco** con la salida positiva de la bocina izquierda delantera.
- Conecte el cable **blanco/negro** con la salida negativa de la bocina izquierda delantera.

Los siguientes (3) cables son únicamente para radios con multimedia/navegación que requieran estos cables.

- Conecte el cable **azul/rosado** al cable VSS/de detección de velocidad.
- Conecte el cable **verde/púrpura** al cable de reversa.
- Conecte el cable **verde** claro al cable de freno de mano
- Coloque cinta e ignore los siguientes (4) cables; no se utilizarán en esta aplicación:
verde, verde/negro, púrpura, púrpura/negro

Desde el arnés 5839 al radio de mercado secundario:

- Conecte el cable **negro** al cable de tierra.
- Conecte el cable **amarillo** al cable de la batería.
- Conecte el cable **azul** al cable de la antena de encendido.
- Si el vehículo está equipado con NAV, conecte el cable **azul/blanco** con un conector rojo al cable de encendido del amplificador. Este cable debe estar conectado para escuchar sonido del amplificador de fábrica.
- Conecte el cable **verde** con la salida positiva de la bocina izquierda trasera.
- Conecte el cable **verde/negro** con la salida negativa de la bocina izquierda trasera.
- Conecte el cable **púrpura** con la salida positiva de la bocina derecha trasera.
- Conecte el cable **púrpura/negro** a la salida negativa de la bocina derecha de atrás.
- **Para modelos con SYNC:** Conecte los conectores RCA **rojo y blanco** rotulados "RSE/SYNC/SAT" a los conectores de audio AUX-IN. Ignore los conectores RCA **rojo y blanco** rotulados "FROM 3.5" a los conectores de audio AUX-IN; no se utilizarán en esta aplicación.
- **Para modelos sin SYNC:** Conecte los conectores **rojo y blanco** RCA rotulados "FROM 3.5", a los conectores de audio AUX-IN. Ignore los conectores RCA **rojo y blanco** rotulados "RSE/SYNC/SAT", no se utilizarán en esta aplicación.
- Ignore el conector DIN; no se utilizará en esta aplicación.

Continúa en la siguiente página

Arnés de derivación LD-FD54PTT SYNC:

Para el control bluetooth de la radio del mercado de accesorios del SWC de fábrica. Desconecte el módulo SYNC de fábrica ubicado detrás de la guantera, luego toque el amarillo/rojo en el arnés 5839 con el gris/rojo del arnés 54PTT.

Para modelos *con* sistema Shaker:

- Conecte el conector RCA **blanco** rotulado “SUBWOOFER” al conector de salida del subwoofer.
- Ignore el conector RCA **rojo** rotulado “CENTER CHANNEL”; no se utilizará en esta aplicación.

Para modelos *con* a sistema Shaker Pro:

- Conecte el conector RCA **rojo** rotulado “CENTER CHANNEL” al conector de salida del subwoofer.
- Ignore el conector RCA **blanco** rotulado “SUBWOOFER”; no se utilizará en esta aplicación.

Arnés de 4 pins con conectores RCA amarillos:

Este arnés debe usarse para agregar una cámara de reversa de mercado secundario a la pantalla táctil, si así lo desea.

- Conecte el conector RCA **amarillo** rotulado “Rearview camera” al conector RCA en la cámara de reversa de mercado secundario.
- Ignore el conector RCA **amarillo** rotulado “AUX video”; no se utilizará en esta aplicación.

La retención del control en volante con conector de 3.5 mm

- El conector de 3.5 mm se debe usar para retener los controles de audio en el control del volante.
 - Para los siguientes radios, conecte el conector hembra de 3.5 mm *incluido con conectores pelados* en el conector macho SWC de 3.5 mm del arnés 5839. Cualquier cable restante debe cubrirse con cinta e ignorarse.
 - **Eclipse:** Conecte el cable del control en el volante, normalmente **marrón**, al cable del conector **marrón/blanco**. Después conecte el cable del control en el volante restante, normalmente **marrón/blanco**, al cable del conector marrón.
 - **Equipo original Metra:** Conecte el cable Key 1 (**gris**) del control en el volante al cable **marrón**.
 - **Kenwood o seleccione JVC con un cable de control en el volante:** Conecte el cable **azul/amarillo** al cable **marrón**.
 - **Nota:** Si su radio Kenwood se detecta automáticamente como JVC, ajuste manualmente el tipo de radio como Kenwood. Vea las instrucciones a continuación para cambiar el tipo de radio.
 - **XITE:** Conecte el cable SWC-2 del control en el volante del radio al cable **marrón**.
 - **Parrot Asteroid Smart o Tablet:** Conecte el conector de 3.5 mm al AX-SWC-PARROT (se vende por separado), y después conecte el conector de 4 pins del AX-SWC-PARROT al radio.
 - **Nota:** El radio debe estar actualizado a la versión de software 2.1.4 o posterior.
 - **Radio universal de “2 o 3 cables”:** Conecte el cable del control en el volante, conocido como Key-A o SWC-1, al cable **marrón** del conector. Después conecte el cable restante del control en el volante, conocido como Key-B o SWC-2, al cable marrón/blanco del conector. Si el radio llega con un tercer cable para hacer tierra, ignore este cable.
 - **Nota:** Después de haber programado la interfaz al vehículo, haga referencia al manual provisto con el radio para asignar los botones SWC. Contacte al fabricante del radio para mayor información.
- **Para todos los demás radios:** Conecte el conector de 3.5 mm dentro del puerto en el radio designado para una interfaz externa de control en el volante. Haga referencia al manual provisto con el radio si tiene duda de dónde va el conector de 3.5 mm.

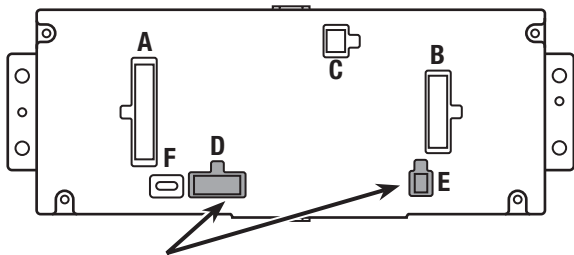
INSTALACIÓN

Con la llave en la posición de apagado:

1. Conecte el arnés de 16 pines con conectores pelados en el puerto “B” en la pantalla táctil.
2. Conecte el arnés 5389 en el puerto “A” en la pantalla táctil.

Nota: Si va a utilizar un ASWC-1, conéctelo después de inicializar y probar la interfaz, con la llave en la posición de apagado.

3. Conecte el arnés de 4 pines con conectores RCA amarillos en el puerto “C” en la pantalla táctil.
4. Ignore los puertos “D” y “E”; no se utilizarán en esta aplicación.
5. El puerto “F” es un puerto de actualización para actualizaciones de firmware futuras.
6. Ubique el conector de antena de fábrica en el tablero y complete todas las conexiones necesarias a la radio. Use el adaptador de antena provisto para adaptar el conector de antena de fábrica a la radio no original.



Nota: NO SE CONECTA!

PROGRAMACIÓN

¡Atención! Si la interfaz pierde la alimentación por cualquier motivo, deberá realizar los siguientes pasos de nuevo.

1. Haga referencia al paso 2 de “Instalación”.
2. Oprima el botón para encender el vehículo.
3. Programar el kit:
 - a. Tan pronto como se cargue la pantalla, seleccione el tipo de vehículo; “Ford Fusion 2013-2017”.
 - b. Espere a que se encienda el radio y la pantalla táctil muestre “SWC Configured*”.Este proceso puede requerir hasta 3 minutos.

Nota: Si la pantalla táctil no se carga o el radio no se enciende en los siguientes 3 minutos, y/o la pantalla táctil no muestra “SWC Configured”, apague el vehículo y desconecte los arneses 5389 del puerto “A” en la pantalla táctil. Revise todas las conexiones, vuelva a conectar el arnés a la pantalla táctil e inténtelo de nuevo.

* Para modelos con controles en el volante

4. Apague la llave y vuelva a encenderla. Si la puerta del conductor está cerrada, abra y cierre la puerta.
5. Pruebe todas las funciones de la instalación para verificar la operación correcta antes de volver a ensamblar el tablero.

1. Asegure el conjunto completo al tablero con los tornillos de fábrica.
2. Vuelva a armar el tablero al revés de cómo lo desarmó usando panel de la moldura del pantalla 99-5839CH

SYNC (modelos de pantalla de visualización de 4.2 pulgadas solamente):

Si el vehículo está equipado con SYNC, el 99-5839CH puede conservar esta función.

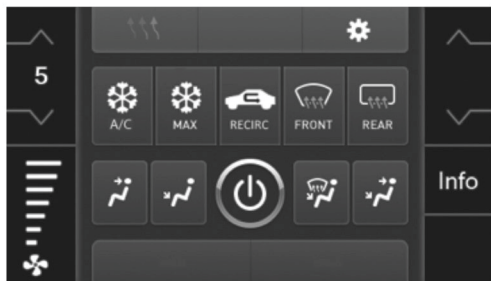
1. Cambie la fuente del radio a AUX-IN.
2. Oprima el botón "Info" en la pantalla táctil para ingresar al menú SYNC. Oprima el botón "HVAC" para regresar al menú principal.

OPERACIÓN DE LA PANTALLA TÁCTIL

Pantalla de control HVAC



Controles automáticos de clima



Controles de clima manuales

- Esta es la pantalla de control HVAC que se mostrará en *la pantalla táctil*. Esto se considera la pantalla principal.
- La pestaña superior izquierda con (3) flechas lo llevará a la pantalla de Asientos con **calefacción/enfriamiento**, en su caso.
- La pestaña superior derecha con el ícono de engrane lo llevará a la **pantalla de Configuraciones**

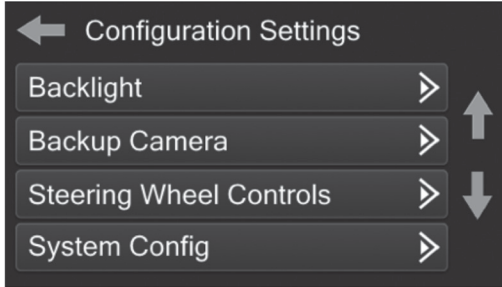
Modelos automáticos de clima: Los controles del clima funcionarán del mismo modo que con los controles del clima de fábrica.

Modelos manuales de clima: Los controles del clima funcionarán del mismo modo que con los controles del clima de fábrica, solo que con botones en la pantalla táctil. El control de temperatura mostrará una escala numérica, siendo “LO” en más frío y “HI” el más caliente:
LO / 1-9 / HI

Nota: El botón “Info” solo se mostrará si debe retenerse SYNC.

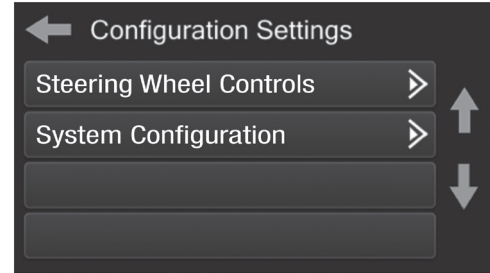
Continúa en la siguiente página

Pantalla de Configuraciones



- **Luz posterior**
 - Cuatro barras deslizantes controlan el color de los botones y la intensidad de la luz posterior: Luz posterior roja/verde/azul
- **Cámara de reversa**
 - Habilitar: habilita la imagen en la cámara de reversa en la pantalla táctil
- **Atenuación de salida de audio**
 - Permite bajar la salida de la interfaz para modelos equipados con un Sistema de sonido Shaker/Shaker Pro. Deshabilitado por defecto.
- **Ganancia de amplificador digital***
 - Para ajustar la ganancia de salida

* No disponible



- **Controles en el volante**
 - Botones de reubicación: para reubicar los botones del control en el volante
 - Doble asignación: para doble asignación de los botones de control en el volante (presionar el botón por largo tiempo)
 - Seleccionar radio: para detectar automáticamente el radio o cambiar el tipo de radio
- **Configuración del sistema**
 - Acerca de - Información sobre el software en el kit
 - Unidad de temperatura - Para cambiar entre Celsius y Fahrenheit
 - Ganancia de amplificación digital - Para ajustar la ganancia de salida al amplificador
 - Restablecer el tipo de vehículo - Para restablecer el kit a la configuración predeterminada

CONFIGURACIÓN DE CONTROL EN VOLANTE

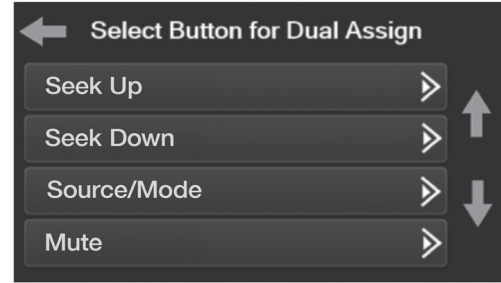
Pantalla para reubicar el botón



- La interfaz tiene la capacidad de cambiar la asignación de botón para los botones de audio del control en el volante, excepto para Subir volumen y Bajar volumen. Siga las indicaciones en la pantalla táctil para reubicar el(los) botón(es) de audio del control en el volante a su gusto.

Nota: El radio de mercado secundario puede no tener todos estos comandos. Consulte el manual del suministrado con el radio o comuníquese con el fabricante del radio para obtener los comandos específicos reconocidos por ese radio en particular.

Pantalla de doble asignación



- La interfaz tiene la capacidad de asignar dos funciones a un solo botón, excepto Subir volumen y Bajar volumen. Siga las indicaciones en la pantalla táctil para programar el(los) botón(es) a su gusto.

Nota: Buscar anterior y Buscar siguiente vienen programados como Subir preestablecido y Bajar preestablecido cuando se presiona el botón por largo tiempo.

Continúa en la siguiente página

CONFIGURACIÓN DEL CONTROL EN EL VOLANTE (CONT.)

Seleccionar la pantalla del radio



- Para mostrar qué marca de radio se “detecta automáticamente” a la interfaz, oprima el botón “Autodetect”. El radio detectado tendrá un círculo relleno. Si se muestra el radio incorrecto, seleccione el radio correcto.
- Después se ve una lista de fabricantes de radio que la interfaz reconoce en ese momento. Otros pueden agregarse en una fecha posterior. Los radios universales de “2 o 3 cables” pueden mostrarse como cualquiera de estos fabricantes de radio.

Eclipse (Tipo 1) †	Pioneer/Jensen	Clarion (Tipo 2) †	Parrot **
Kenwood ‡	Alpine *	Metra OE	XITE
Clarion (Tipo 1) †	Visteon	Eclipse (Tipo 2) †	Phillips
Sony / Dual	Valor	LG	JBL
JVC			

* **Nota:** Si la interfaz muestra un radio Alpine y no tiene un radio Alpine, eso significa que la interfaz no detecta un radio conectado a él; es decir, una conexión abierta. Verifique que el conector de 3.5 mm esté conectado al conector/cable correcto del volante en el radio.

** **Nota:** Se requiere el AX-SWC-PARROT (se vende por separado). Además, el radio Parrot debe estar actualizado a la versión de software 2.1.4 o posterior mediante www.parrot.com.

† **Nota:** Si tiene un radio Clarion y los controles en el volante no funcionan, cambie el tipo de radio al otro tipo de radio Clarion; haga lo mismo con Eclipse.

‡ **Nota:** Si tiene un radio Kenwood y la pantalla táctil muestra un radio JVC, cambie el tipo de radio a Kenwood.

Continúa en la siguiente página

RESOLUCIÓN DE PROBLEMAS

Restablecimiento de la interfaz

Opción 1

1. Con todo conectado y el coche en marcha.
2. Mantenga presionados los botones inferiores (2) durante 3 segundos y luego suéltelos. (Figura A)
(La pantalla se volverá negra y luego lo colocará en la pantalla de selección de vehículos)
3. Seleccione su vehículo y espere hasta que aparezca "SWC Configurado" en la pantalla.
4. Apague el encendido y arranque el vehículo, luego pruebe su interfaz.



(Figura A)

Opción 2

1. Con el vehículo en marcha, presione el botón Restablecer tipo de vehículo mencionado en Configuración del sistema.
2. Consulte Programación, paso 3, a partir de este punto.



99-5839CH
INSTRUCCIONES DE INSTALACIÓN



¿Tienes dificultades? Estamos aquí para ayudar.



Póngase en contacto con nuestra
línea de soporte técnico en:
386-257-1187



O por correo electrónico a:
techsupport@metra-autosound.com

Horas de soporte técnico (hora estándar del este)

Monday - Friday: 9:00 AM - 7:00 PM

Saturday: 10:00 AM - 7:00 PM

Sunday: 10:00 AM - 4:00 PM



KNOWLEDGE IS POWER

Enhance your installation and fabrication skills by enrolling in the most recognized and respected mobile electronics school in our industry. Log onto www.installerinstitute.com or call 800-354-6782 for more information and take steps toward a better tomorrow.



**Metra recomienda MECP
técnicos certificados**