



INSTALLATION INSTRUCTIONS FOR PART 99-7326

APPLICATIONS

Hyundai Elantra 2007-2010 (US Model Only) (Non Radio Delete) (Non Touring Model)

99-7326

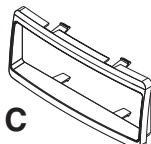
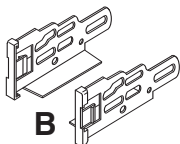
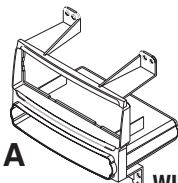
KIT FEATURES

- DIN Radio Provision with Pocket
- ISO Radio Provision with Pocket



KIT COMPONENTS

A) Radio Housing B) ISO Brackets C) Trim Plate



WIRING AND ANTENNA CONNECTIONS (Sold Separately)

Harness:

- 70-1004 - Hyundai 2006-up /KIA harness 2004-up
- 70-7303 - Hyundai/KIA harness 2009

Antenna Adapter:

- 40-KI11 - KIA antenna adapter 2007-up

TOOLS REQUIRED:

- Small Flat Blade Screwdriver/ Panel Removal Tool
- Phillips Screwdriver



1-800-221-0932



www.metraonline.com



TABLE OF CONTENTS

Dash Disassembly

- Hyundai Elantra 2007-2010 1

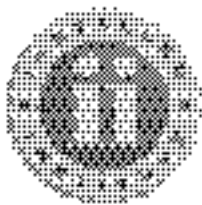
Kit Assembly

- DIN Radio Provision with Pocket 2
- ISO Radio Provision with Pocket 3

Final Assembly 4

***Note:**

Refer also to the instructions included with the aftermarket radio.

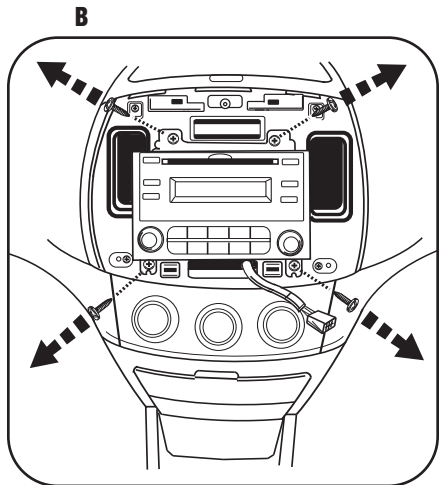
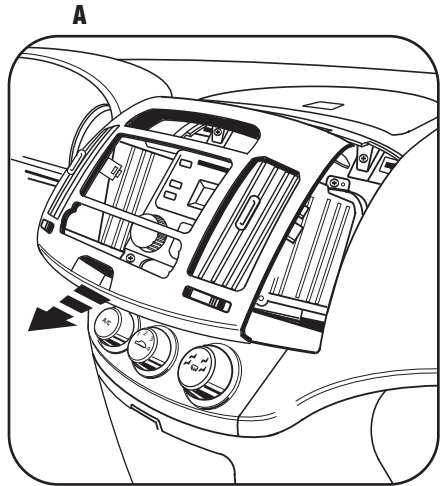


KNOWLEDGE IS POWER
Enhance your installation and satisfaction skills by attending in the most recognized and respected mobile electronics school in our industry. Log onto www.test-drive-the-basics.com or call 800-368-0798 for more information and take steps to ensure a better tomorrow.

HYUNDAI ELANTRA 2007-2010

- 1** Disconnect the negative battery terminal to prevent an accidental short circuit.
- 2** Unclip and remove the panel surrounding the radio including the a/c vents and hazard button. (Figure A)
- 3** Remove (4) Phillips screws to remove radio.

Continue to kit assembly.



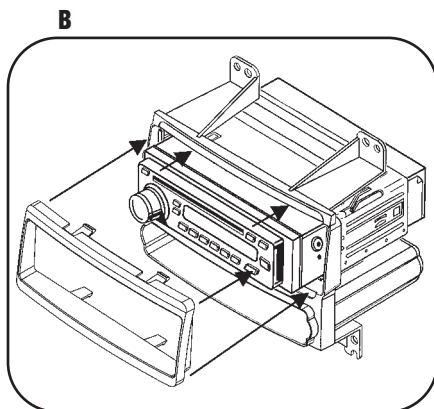
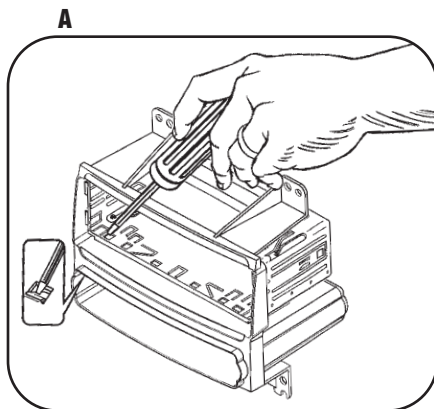
DIN RADIO PROVISION WITH POCKET

**Note: Refer also to the instructions included with the aftermarket radio.*

Note: The trim plate supplied with the 99-7326 is required for a complete installation. ISO mounting may be preferred as it is easier than DIN mounting and using this trim plate.

- 1 Slide the DIN cage into the Radio Housing and secure by bending the metal locking tabs outward. (Figure A)
- 2 Slide the aftermarket radio into the cage until it snaps into place. (Figure B)
- 3 Snap the trim plate into the Radio Housing. (Figure B)

Continue to final assembly.

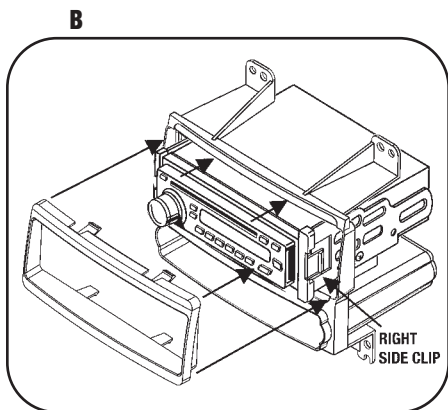
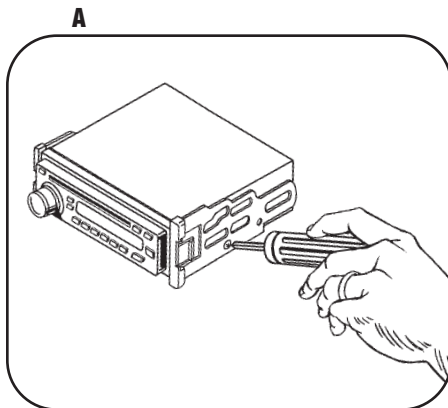


ISO RADIO PROVISION WITH POCKET

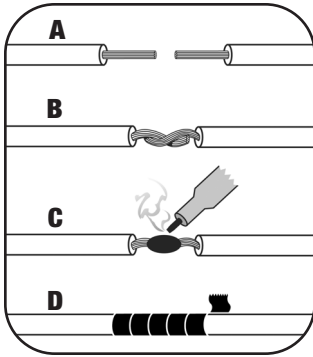
**Note: Refer also to the instructions included with the aftermarket radio.*

- 1** Mount the ISO Brackets to the aftermarket radio using the screws supplied with the radio. (Figure A)
- 2** Slide the radio into the radio opening until the side clips snap into place. (Figure B)
- 3** Snap the trim plate onto the front of the Radio Housing. (Figure B)

Continue to final assembly.



FINAL ASSEMBLY



(A) Strip wire ends back 1/2"

B) Twist ends together

C) Solder

D) Tape

- 1 Locate the factory wiring harness in the dash. Metra recommends using the proper mating adapter and making connections as shown. (Isolate and individually tape off the ends of any unused wires to prevent electrical short circuit.)
- 2 Re-connect the negative battery terminal and test the unit for proper operation.
- 3 Reassemble radio and dash assemblies in reverse order of disassembly.

FINAL WIRING CONNECTIONS

Make wiring connections using the EIA color code chart shown below and the instructions included with the head unit. Metra recommends making connections as shown below; Strip, Splice, Solder, Tape. Isolate and individually tape off ends of any unused wires to prevent electrical short circuit.

METRA / EIA WIRING CODE

12V Ignition / Acc. Red	Right Front (+) Gray
12V Batt / Memory Yellow	Right Front (-) Gray/ Black
Ground Black*	Left Front (+) White
Power Antenna Blue	Left Front (-) White / Black
Amp Turn-On Blue / White	Right Rear (+) Violet
Amp Ground Black / White	Right Rear (-) Violet / Black
Illumination Orange	Left Rear (+) Green
Dimmer Orange / White	Left Rear (-) Green / Black

***NOTE:** When a Black wire is not present, ground radio to vehicle chassis.
All colors may not be present on all leads due to manufacturer's specifications.

99-7326 INSTRUCTIONS



1-800-221-0932



www.metraonline.com

REV. 04/27/10 © COPYRIGHT 2004-2010 METRA ELECTRONICS CORPORATION INST99-7326