



Hyundai Elantra 2017-2018

Visit MetraOnline.com for more detailed information about the product and up-to-date vehicle specific applications

KIT FEATURES

- ISO DIN radio provision with pocket
- Painted matte black

KIT COMPONENTS

- A) Radio trim panel • B) Radio brackets • C) Pocket • D) (4) #8 x 3/8" Phillips screws

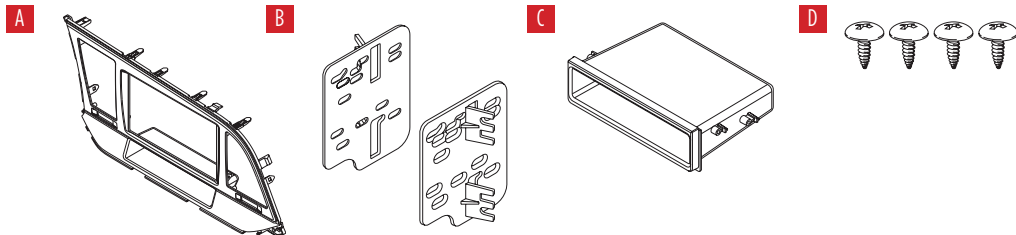


TABLE OF CONTENTS

Dash Disassembly	2
Kit Preparation	3
Kit Assembly	3

WIRING & ANTENNA CONNECTIONS (sold separately)

- Wiring Harness: 70-7304 (w/o 7-inch display radio)
- 70-7306 (with 7-inch display radio)
- Antenna Adapter: N/A (w/o 7-inch display radio)
- 40-K111 (with 7-inch display radio)

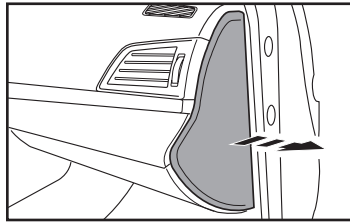
TOOLS REQUIRED

- Panel removal tool • Phillips screwdriver

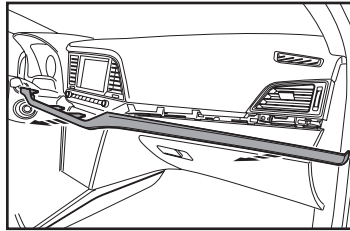
Attention! Let the vehicle sit with the key out of the ignition for a few minutes before removing the factory radio. When testing the aftermarket equipment, ensure that all factory equipment is connected before cycling the key to ignition.

DASH DISASSEMBLY

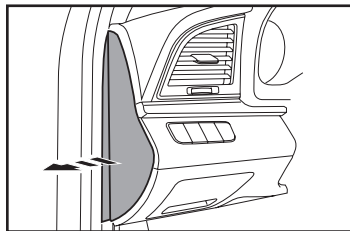
1. Open the passenger front door, then unclip and remove the trim panel from the side of dashboard. Remove the (1) Phillips screw securing the silver trim panel. (Figure A)
2. Unclip and remove the silver trim panel that runs along the dashboard from under the radio, and above the glovebox. (Figure B)
3. Open the driver's door, then unclip and remove the trim panel from the side of the dashboard. Remove the (1) Phillips screw securing the silver trim panel. (Figure C)



(Figure A)



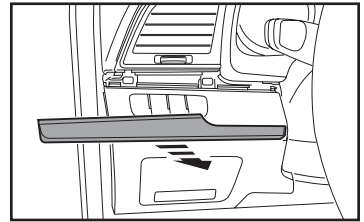
(Figure B)



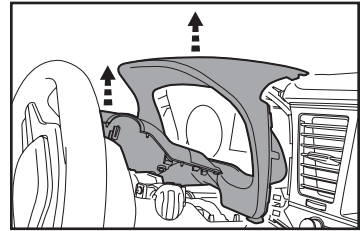
(Figure C)

4. Unclip and remove the silver trim panel from under the driver's side A/C vent. (Figure D)
5. Unclip the trim panel above the steering column, and then unclip and remove the entire panel surrounding the instrument cluster. Note, these two panels are one assembly. (Figure E)
6. Remove the (2) Phillips screws securing the radio trim panel, then unclip and remove the panel. (Figure F)
7. Remove the (4) Phillips screws securing the radio and then remove.

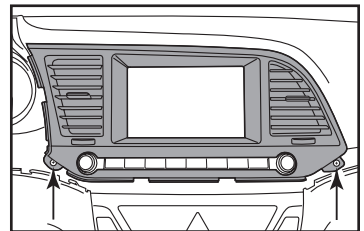
Continue to Kit Preparation



(Figure D)



(Figure E)

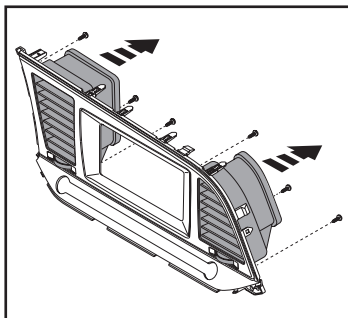


(Figure F)

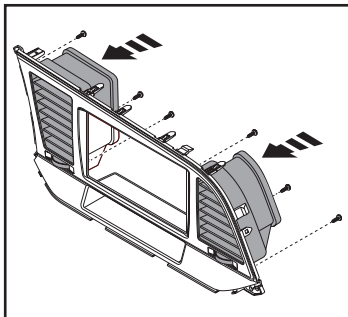
KIT PREPARATION

1. Remove the (3) Phillips screws securing the A/C vents to the factory radio trim panel and then remove. (Figure A)
2. Secure the vents onto the **radio trim panel** using the factory hardware. (Figure B)

Continue to Kit Assembly



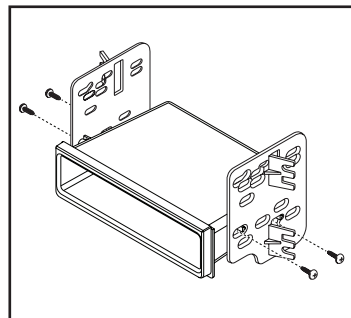
(Figure A)



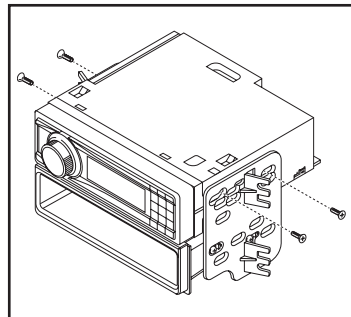
(Figure B)

KIT ASSEMBLY

1. Secure the **pocket** to the **radio brackets** using the (4) #8 x 3/8" Phillips screws provided. (Figure A)
2. Remove the metal DIN sleeve and trim ring from the aftermarket radio.
3. Attach the radio to the bracket/pocket assembly using the screws supplied with the radio. (Figure B)
4. Locate the factory wiring harness and antenna connector in the dash and complete all necessary connections to the radio. Metra recommends using the proper mating adapter from Metra and/or AXXESS. Test the radio for proper operation.
5. Secure the assembly into the dash opening using the factory hardware.
6. Snap the **radio trim panel** over the radio/pocket assembly, and then reassemble the dash in reverse order of disassembly.



(Figure A)



(Figure B)



99-7376B
INSTALLATION INSTRUCTIONS



If you are having difficulties with the installation of this product, contact our Tech Support line either by phone at **1-800-253-TECH**, or email at **techsupport@metra-autosound.com**. Before doing so, look over the instruction booklet a second time and ensure that the installation was performed exactly as the instruction booklet is stated. Have the vehicle apart and ready to perform troubleshooting steps before contacting Metra/Axxess Tech Support.



KNOWLEDGE IS POWER

Enhance your installation and fabrication skills by enrolling in the most recognized and respected mobile electronics school in our industry. Log onto www.installerinstitute.com or call 800-354-6782 for more information and take steps toward a better tomorrow.



**Metra recommends MECP
certified technicians**