



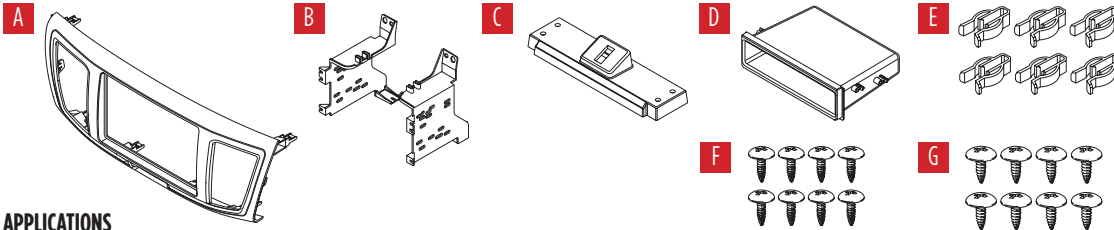
## Honda Accord 2013-2017

### KIT FEATURES

- ISO DIN radio provision with pocket
- ISO DDIN radio provision
- Painted two-tone to match the factory dash  
99-7804B - Black with Silver accent  
99-7804HG - Black with High Gloss accent
- Retains factory color screen

### KIT COMPONENTS

- A) Radio housing trim panel • B) Radio brackets • C) Top bracket • D) Pocket • E) (6) White panel clips • F) (8) #6 x 3/8" Phillips screws
- G) (8) #8 x 3/8" Phillips screws • H) Display retention interface and harness (not shown)



### APPLICATIONS

HONDA	2013-2015	2013-2015	2013-2015	2013-2017
Accord EX	Accord EX-L	Accord LX	Accord LX-S	Accord Touring

### TABLE OF CONTENTS

Dash Disassembly .....	2-3
Kit Preparation .....	4
Kit Assembly	
–ISO DIN radio provision with pocket .....	5
–ISO DDIN radio provision .....	6
Wiring Instructions .....	7-8
Touch Screen Instructions .....	9-10

### WIRING & ANTENNA CONNECTIONS

- Wiring Harness: Included
- Antenna Adapter: 40-HD11 (sold separately)
- Steering wheel control interface: ASWC-1/AXSWC (sold separately)

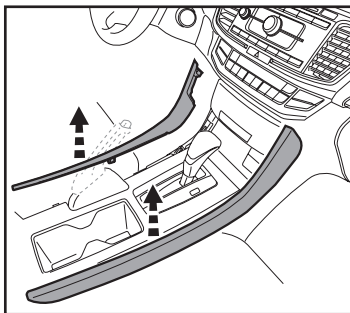
### TOOLS REQUIRED

- Panel removal tool • Phillips screwdriver

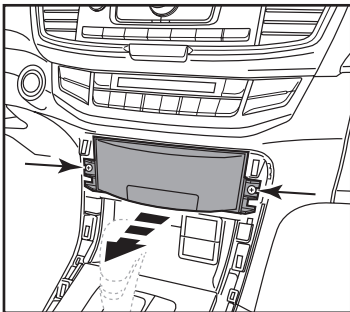
**CAUTION!** All accessories, switches, climate controls panels, and especially air bag indicator lights must be connected before cycling the ignition. Also, do not remove the factory radio with the key in the on position, or while the vehicle is running.

## DASH DISASSEMBLY

1. Unclip and remove the side trim panels from each side of the console. (Figure A)
2. Remove (2) Phillips screws exposed on pocket then remove the pocket. (Figure B)



(Figure A)

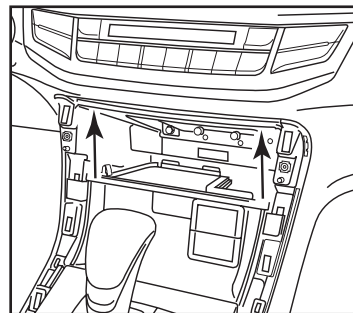


(Figure B)

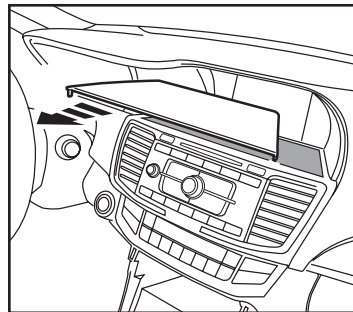
3. Remove (2) 8mm screws facing up on bottom of radio chassis inside pocket cavity. (Figure C)
4. Unclip and remove the small trim panel between the radio and steering column. (Figure D)

**Note:** Models with auto climate will have a thermistor hose attached to this panel. Disconnect the hose under the dash above the gas pedal to give it enough slack before re-installing the panel. (Figure D)

Continue on the next page



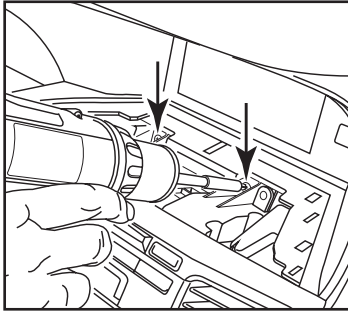
(Figure C)



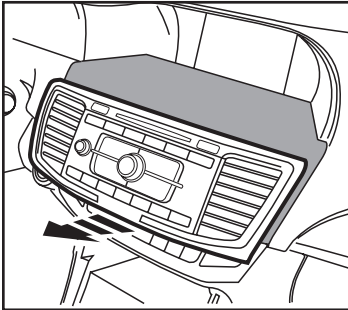
(Figure D)

## DASH DISASSEMBLY (CONT)

5. Remove (2) Phillips screws on top of radio. (Figure E)
6. Unclip and remove the radio assembly. (Figure F)



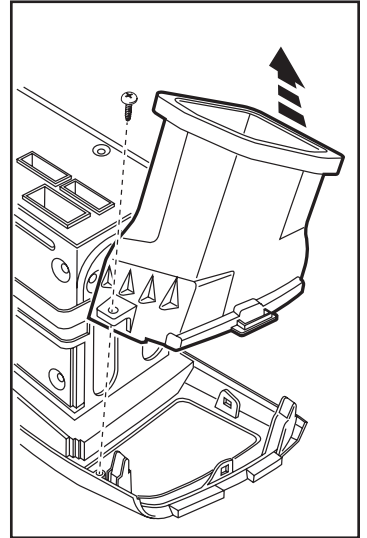
(Figure E)



(Figure F)

7. Remove (1) Phillips screw from each A/C vent then unclip and remove the vents. (Figure G)
8. Remove (2) Phillips screws securing the hazard light switch and retain for kit assembly.

*Continue to Kit Preparation*

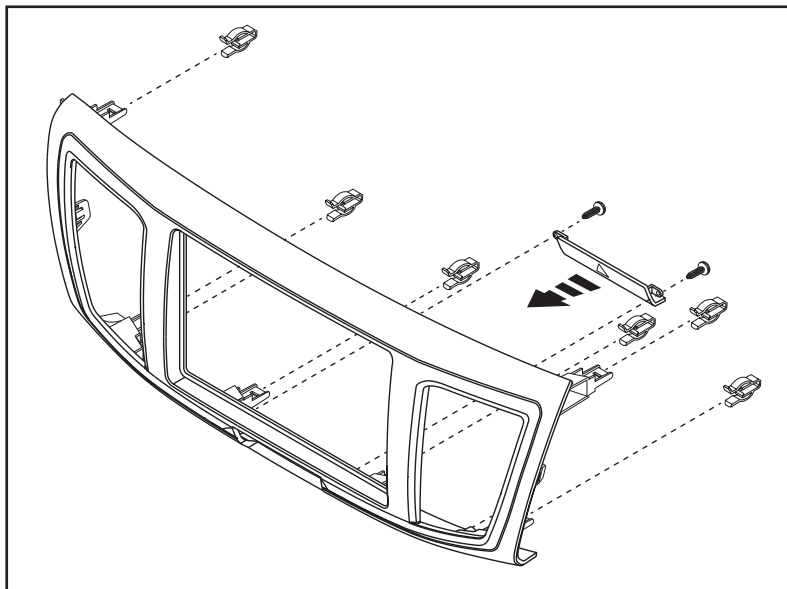


(Figure G)

## KIT PREPARATION

1. Attach the hazard light switch to the radio trim panel using (2) of the supplied #8 x 3/8" Phillips screws. (Figure A)
2. Attach the (6) white panel clips to the radio housing trim panel. (Figure A)

*Continue to Kit Assembly*

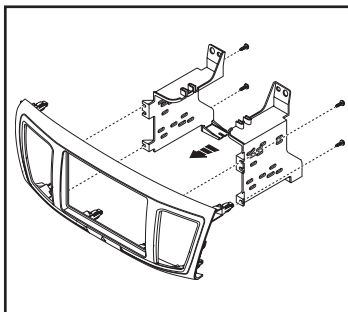


(Figure A)

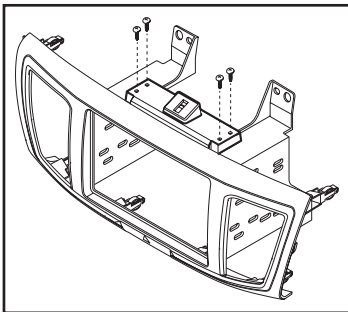
## KIT ASSEMBLY

### ISO DIN radio provision with pocket

1. Attach the *radio brackets* to the *radio housing trim panel* using (4) of the #6 x 3/8" Phillips screws. (Figure A)
2. Attach the *top bracket* to the top of the *radio brackets* using (4) of the #6 x 3/8" Phillips screws supplied. (Figure B)
3. Mount the *pocket* to the *bracket/panel assembly* with (4) of the #8 x 3/8" Phillips screws supplied. (Figure C)
4. Slide the radio into the assembly and secure with screws supplied with the radio. (Figure D)
5. Attach the *A/C vents* to the *radio trim panel* and secure using (2) of the supplied #8 x 3/8" Phillips screws. (Figure E)

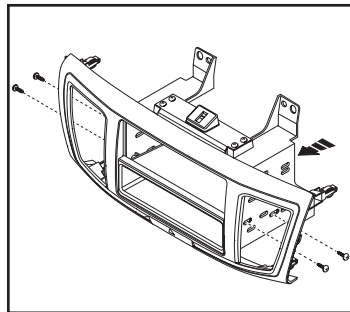


(Figure A)

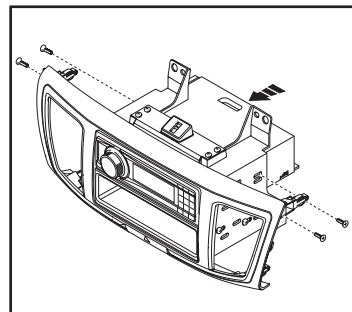


(Figure B)

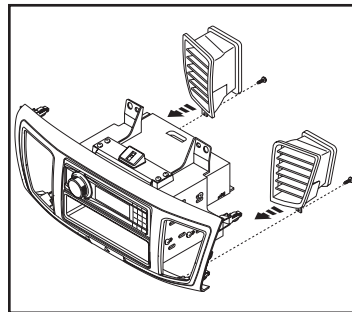
6. Locate the factory wiring harness in the dash. Follow the Wiring and Initialization section of this manual before completing the installation.
7. Mount the new radio assembly into the dash and reassemble dash in reverse order of disassembly.



(Figure C)



(Figure D)

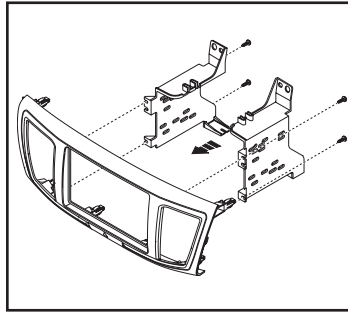


(Figure E)

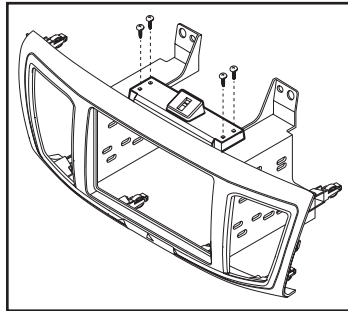
## KIT ASSEMBLY

### ISO DDIN radio provision

1. Attach the *radio brackets* to the *radio housing trim panel* using (4) of the #6 x 3/8" Phillips screws. (Figure A)
2. Attach the *top bracket* to the top of the *radio brackets* using (4) of the #6 x 3/8" Phillips screws supplied. (Figure B)
3. Slide the radio into the bracket/trim panel assembly and secure to the assembly using the screws supplied with the radio. (Figure C)
4. Attach the A/C vents to the *radio trim panel* and secure using (2) of the supplied #8 x 3/8" Phillips screws. (Figure D)

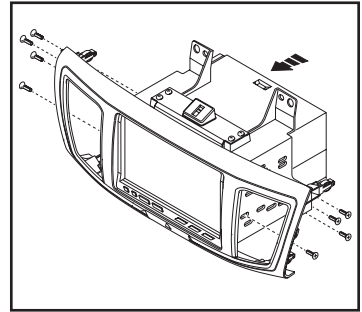


(Figure A)

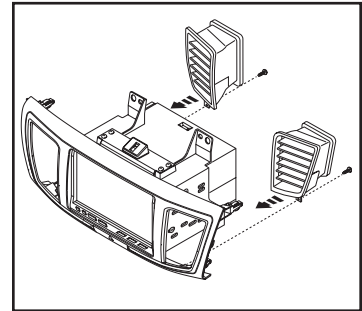


(Figure B)

5. Locate the factory wiring harness in the dash. Follow the Wiring and Initialization section of this manual before completing the installation.
6. Reassemble the dash in reverse order of disassembly.



(Figure C)



(Figure D)

# WIRING INSTRUCTIONS

## Harnesses Included:

- 24-pin gray Honda connector to 14-pin black interface connector, with pre-wired 12-pin black ASWC-1/AXSWC harness.
- 24-pin and 12-pin gray Honda connector to 22-pin black interface connector, with a Yellow female RCA.
- 8-pin gray Honda subwoofer connector to **White** RCA.
- **Blue** connector to **White** connector LVDS cable.

## If the vehicle has Bluetooth buttons and you wish to retain them (Non-touch screen models):

- Connect the **Gray/Blue** wire from the ASWC-1/AXSWC to Pin 15 (**Lt. Blue**) of the Hands Free Link module's 32 pin connector located below the radio (Touch Screen Models), or Pin 9 (**Lt. Blue**) of the 16 pin connector behind the radio.

## Connections to be made

- Connect the **Yellow** wire to the battery wire.
- Connect the **Red** wire to the accessory wire.
- Connect the **Blue/White** wire to the power antenna wire.

## For models *with* a factory amplifier:

- Connect the **Gray** RCA jack to the right front RCA output.
- Connect the **White** RCA jack to the left front RCA output.
- Connect the **Green** RCA jack to the right rear RCA output.
- Connect the **Purple** RCA jack to the right rear RCA output.

## For models *without* a factory amplifier:

For the following (8) wires, cut off the RCA jack to expose the speaker wires.

- Connect the **White** wire to the left front positive speaker output.
- Connect the **White/Black** wire to the left front negative speaker output.
- Connect the **Gray** wire to the right front positive speaker output.
- Connect the **Gray/Black** wire to the right front negative speaker output.
- Connect the **Green** wire to the left rear positive speaker output.
- Connect the **Green/Black** wire to the left rear negative speaker output.
- Connect the **Purple** wire to the right rear positive speaker output.
- Connect the **Purple/Black** wire to the right rear negative speaker output.

*The following (3) wires are only for multimedia/navigation radios that require these wires.*

- Connect the **Blue/Pink** wire to the VSS/speed sense wire.
- Connect the **Green/Purple** wire to the reverse wire.
- Connect the **Light Green** wire to the parking brake wire.

## Connections to be made

### From the 14-pin black connector to the aftermarket radio:

- Connect the **Orange** wire to the illumination wire. (If the aftermarket radio has no illumination wire, tape off the **Orange** wire).

*The following wires are for aftermarket multimedia/navigation radios that provide these wires. (If not required, tape them off and disregard them):*

- Connect the **Light Green** wire to the parking brake wire (if applicable).
- Connect the **Blue/Pink** wire to the speed sense wire (if applicable).
- Connect the **Green/Purple** wire to the reverse wire (if applicable).

## If not equipped with a factory rearview camera and one wants to be added

### From the 22-pin black connector to the aftermarket radio:

- Connect the **Yellow** RCA to the aftermarket rearview camera (female to female barrel connector may be needed depending on camera brand, not provided).

**Note:** *If an aftermarket backup camera is connected it must be selected in the Menu. (Menu button on SWC>Camera Settings>Backup Camera Source>Aftermarket Backup Camera)*

## If equipped with factory subwoofer

### From the 8-pin gray Honda connector to the aftermarket radio:

- Connect the **White** RCA to the “Subwoofer Output” (a Y-RCA adapter may be needed not provided).

## ASWC-1/AXSWC (if installing)

- After the interface is initialized, plug the ASWC-1/AXSWC into the 12-pin harness of the 7804 and refer to the ASWC-1/AXSWC instructions.

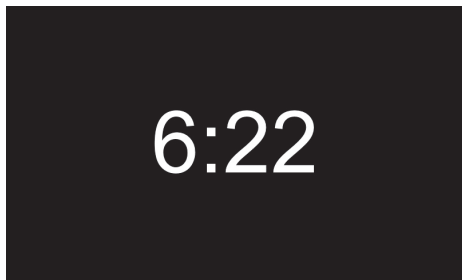
**Note:** *There are a couple harnesses in the vehicle that there will be no harness connections; these are not needed in the installation.*

- **Green** and **Gray** connectors with similar small square connectors.
- 20-pin, 18-pin, & 5-pin gray connectors.



# TOUCH SCREEN INSTRUCTIONS

## Clock Screen



When the interface first boots up, the factory screen will go through an initial boot up sequence for a few moments. Do not touch any controls until the clock screen appears.

The audio controls on the steering wheel will be used to navigate the menu. This will override the controls for the radio while being used. Press the MENU button on the steering wheel to enter the menu screen. To navigate through the menu, continue to use the steering wheel controls. The controls are as follows.

**Volume up & down** = Cycle through the menu options

**Source (SRC)** = Enter

**Seek left** = Back or Return

**Seek right** = Not used

## Main Menu Screen



**Note:** If the kit does not function properly, manually enter the vehicle type. Select "System Settings", "Display Type", and then select the proper vehicle type.

**Note:** The following features, TPMS and Fuel Economy, will not be displayed on the factory screen once the factory radio is removed. The Fuel Economy will be displayed in the instrument cluster only. For calibrating TPMS, please refer to the owner's manual of the vehicle for details on locating the TPMS button, and also the programming procedure.

## Camera Settings



This menu allows you to turn the LaneWatch camera on and off, change the view of the Rearview Camera, and allow you to add a aftermarket camera if the car is not equipped with a factory rearview camera.

**Note:** LaneWatch camera is default to on. If an OE LaneWatch camera is not present, please turn off the "Trigger with Right Turn Signal" option which located in this setting screen.

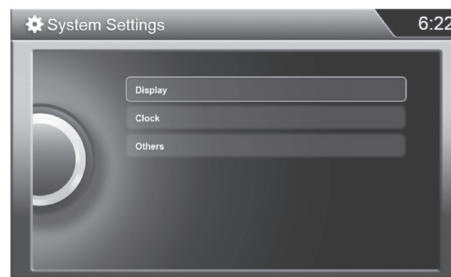
### LaneWatch Calibration

**Attention!** This procedure should only be performed by an authorized Honda technician.

**Note:** The LaneWatch button is located on the left side of the steering wheel, on the stalk.

Press and hold the LaneWatch button for 50 seconds to begin the LaneWatch aiming procedure. At this point the display will also show an image of the LaneWatch camera feed, with instructions on what to do — a Honda authorized technician will know what to do from here.

## System Settings



This menu allows you to change the display settings, adjust the clock settings, and also to enter the personalization menu. Please note that the personalization menu is similar to the factory menu, but not exactly the same.





**99-7804**  
INSTALLATION INSTRUCTIONS



**IMPORTANT**

*If you are having difficulties with the installation of this product, please call our Tech Support line at 1-800-253-TECH. Before doing so, look over the instructions a second time, and make sure the installation was performed exactly as the instructions are stated. Please have the vehicle apart and ready to perform troubleshooting steps before calling.*



**KNOWLEDGE IS POWER**

Enhance your installation and fabrication skills by enrolling in the most recognized and respected mobile electronics school in our industry. Log onto [www.installerinstitute.com](http://www.installerinstitute.com) or call 800-354-6782 for more information and take steps toward a better tomorrow.



**Metra recommends MECP  
certified technicians**



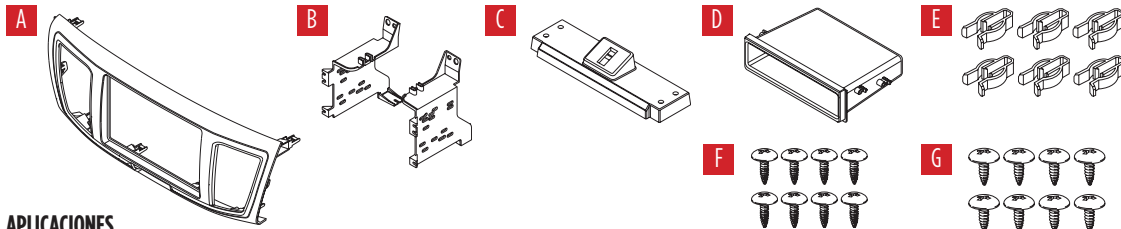
## Honda Accord 2013-2017

### CARACTERÍSTICAS DEL KIT

- Provisión de radio ISO DIN con cavidad
- Provisión de radio ISO DDIN
- Pintura en dos tonos para igualar el acabado de fábrica  
99-7804B - Negro con acento de plata  
99-7804HG - Negro con acento de alto brillo
- Retiene la pantalla de color de fábrica

### COMPONENTES DEL KIT

- A) Panel de moldura de la carcasa del radio • B) Soportes • C) Soporte superior • D) Cavidad • E) (6) Ganchos blancos para panel
- F) (8) Tornillos Phillips #6 de 3/8" • G) (8) tornillos Phillips #8 de 3/8" • H) Interfase con retención de pantalla y arneses



### APLICACIONES

HONDA	Modelo	Año	Modelo	Año
Accord EX	Accord EX-L	2013-2015	Accord LX-S	2013-2017
	Accord LX	2013-2015	Accord Touring	2013-2015

### INDICE

Desmontaje del tablero .....	2-3
Preparación de kit.....	4
Ensamble del kit	
– Provisión de radio ISO DIN con cavidad.....	5
– Provisión de radio ISO DDIN.....	6
Instrucciones de cableado .....	7-8
Tocar las instrucciones en pantalla .....	9-10

### CABLEADO Y CONEXIONES DE ANTENA

Arnés de cables: Se incluye  
Adaptador de antena: 40-HD11(se venden por separado)  
Interfase de control en volante: ASWC-1/AXSWC  
(se venden por separado)

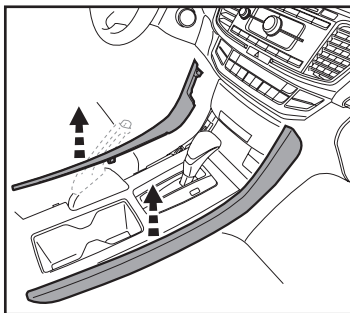
### HERRAMIENTAS REQUERIDAS

- Herramienta para quitar paneles
- Destornillador Phillips

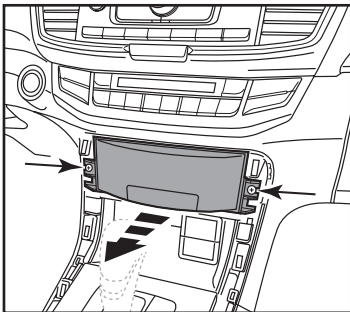
**¡PRECAUCIÓN!** Todos los accesorios, interruptores, paneles de controles de clima y especialmente las luces del indicador de las bolsas de aire deben estar conectados antes de encender el vehículo. Además, no quite el radio de fábrica con la llave en la posición de encendido ni con el vehículo funcionando.

## DESMONTAJE DEL TABLERO

1. Desenganche y quite los paneles de moldura laterales a cada lado de la consola. (Figura A)
2. Quite los (2) tornillos Phillips expuestos en la cavidad, luego quite la cavidad. (Figura B)



(Figura A)

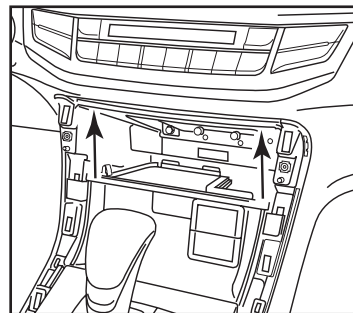


(Figura B)

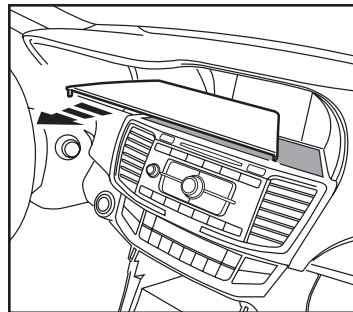
3. Quite los (2) tornillos de 8 mm orientados boca arriba de la parte inferior del chasis del radio en el interior de la cavidad. (Figura C)
4. Desenganche y quite el panel de la moldura pequeña entre el radio y la columna de dirección. (Figura D)

**Nota:** Los modelos con control automático de clima tendrán una manguera de termistor sujeta a este panel. Desconecte la manguera debajo del tablero y encima del pedal del acelerador para proporcionar suficiente holgura antes de volver a instalar el panel. (Figura D)

Continúa en la página siguiente



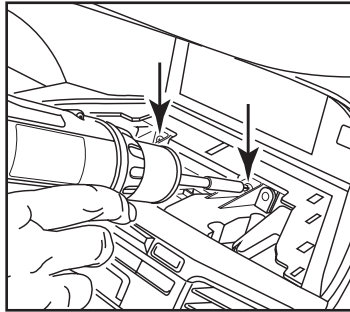
(Figura C)



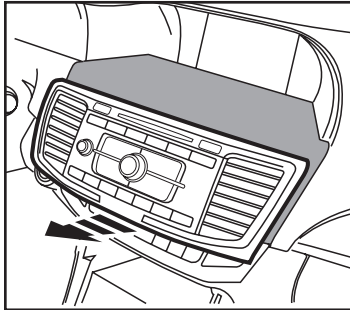
(Figura D)

## DESMONTAJE DEL TABLERO (CONT)

5. Quite los (2) tornillos Phillips que están arriba del radio. (Figura E)
6. Desenganche y quite el ensamble del radio. (Figura F)



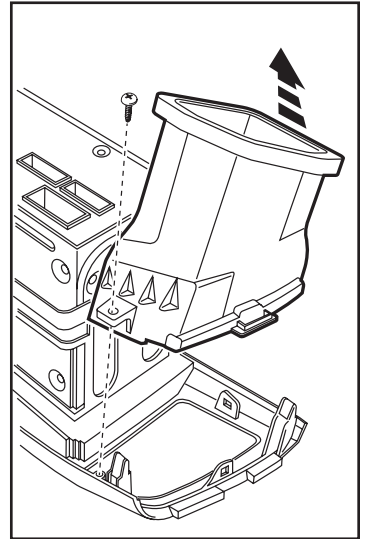
(Figura E)



(Figura F)

7. Quite el (1) tornillo Phillips de cada rejilla de aire acondicionado y luego desenganche y quite las rejillas. (Figura G)
8. Quite los (2) tornillos Phillips que sujetan el interruptor de las luces intermitentes y guárdelos para el ensamble del kit.

*Continúe con la Preparación de Kit*

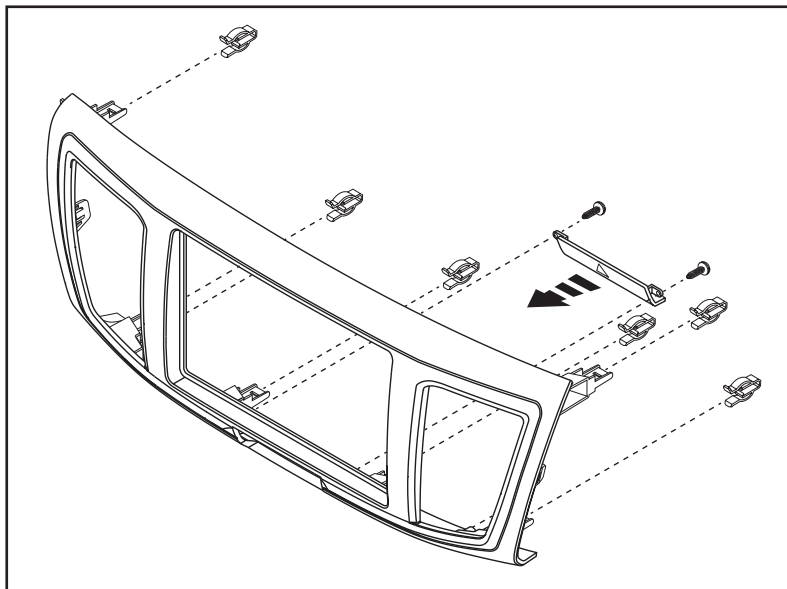


(Figura G)

## PREPARACIÓN DE KIT

1. Una el interruptor de las luces intermitentes al panel de la moldura del radio usando (2) de los tornillos Phillips suministrados #8 x 3/8". (Figura A)
2. Coloque los (6) ganchos blancos del panel en el panel de la moldura de la carcasa del radio. (Figura A)

Continúe con el Ensamble del Kit



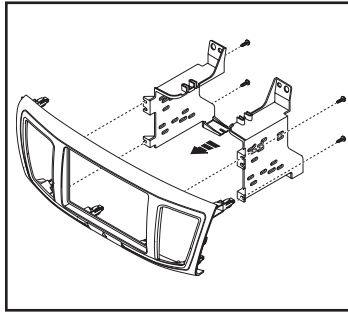
(Figura A)



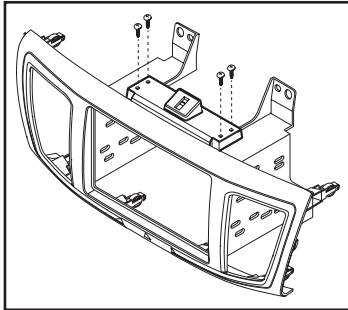
## ENSAMBLE DEL KIT

### Provisión de radio ISO DIN con cavidad

1. Coloque los soportes del radio en el panel de la moldura de la carcasa del radio usando (4) de los tornillos Phillips suministrados #6 x 3/8". (Figura A)
2. Coloque el soporte superior arriba de los soportes del radio usando (4) de los tornillos Phillips suministrados #6 x 3/8". (Figura B)
3. Monte la cavidad en el ensamble de soporte/panel con los (4) tornillos Phillips #8 de 3/8" suministrados. (Figura C)
4. Deslice el radio en el ensamble y sujételo con los tornillos suministrados con el radio. (Figura D)
5. Una las rejillas de aire acondicionado al panel de la moldura del radio y sujételas usando (2) de los tornillos Phillips suministrados #8 x 3/8". (Figura E)

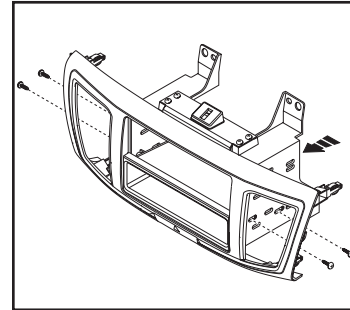


(Figura A)

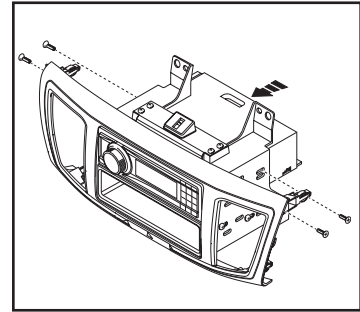


(Figura B)

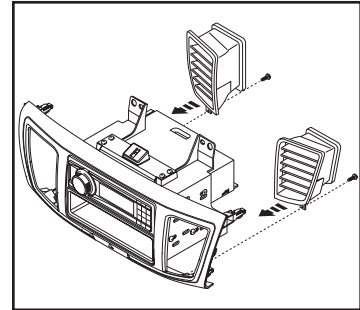
6. Localice el arnés de cables de fábrica y el conector de la antena en el tablero. Metra recomienda que use adaptadores adecuados de acoplamiento de Metra y/o de AXCESS.
7. Monte el conjunto del radio en el tablero y vuelva a armar el tablero al revés de como lo desarmó.



(Figura C)



(Figura D)

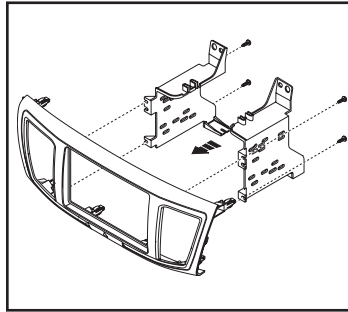


(Figura E)

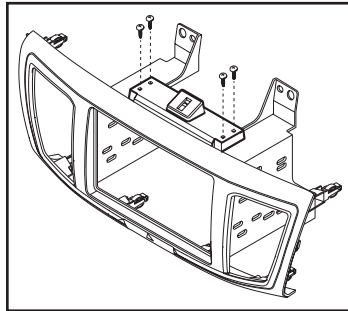
## ENSAMBLE DEL KIT

### Provisión de radio ISO DDIN

1. Coloque los soportes del radio en el panel de la moldura de la carcasa del radio usando (4) de los tornillos Phillips suministrados #6 x 3/8". (Figura A)
2. Coloque el soporte superior arriba de los soportes del radio usando (4) de los tornillos Phillips suministrados #6 x 3/8". (Figura B)
3. Deslice el radio dentro del ensamble del soporte/panel de la moldura y sujételo al ensamble con los tornillos que vienen con el radio. (Figura C)
4. Una las rejillas de aire acondicionado al panel de la moldura del radio y sujételas usando (2) de los tornillos Phillips suministrados #8 x 3/8". (Figura D)

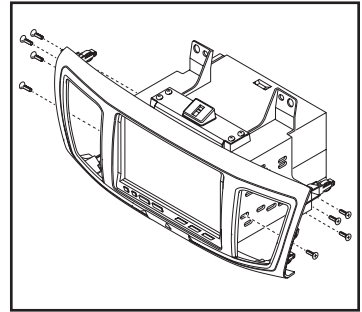


(Figura A)

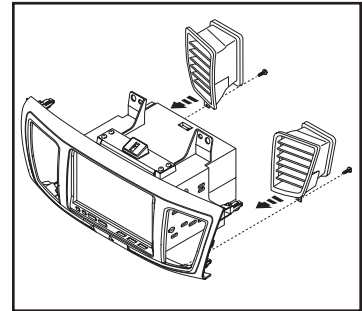


(Figura B)

5. Localice el arnés de cables de fábrica en el tablero. Siga la sección de cableado e inicialización de este manual antes de terminar la instalación.
6. Vuelva a armar el tablero al revés de como lo desarmó.



(Figura C)



(Figura D)

# INSTRUCCIONES DE CABLEADO

## Arneses incluidos:

- Conector Honda gris de 24 pines al conector de interfase negro de 14 pines con arnés ASWC-1/AXSWC negro de 12 pines precableado.
- Conector Honda gris de 24 pines y 12 pines al conector de interfase negro de 22 pines con un RCA hembra amarillo.
- Conector de subwoofer Honda gris de 8 pines al RCA **blanco**.
- Conector **azul** al cable LVDS de conector **blanco**.

## Si el vehículo tiene botones Bluetooth y desea conservarlos (modelos sin pantalla táctil):

- Conecte el cable **gris/azul** del ASWC-1/AXSWC al Pin 15 (**azul claro**) del conector de 32 Pin del módulo Hands Free Link ubicado debajo de la radio (modelos con pantalla táctil), o al Pin 9 (**azul claro**) del Conector de 16 Pin detrás de la radio.

## Conexiones que se deben hacer

- Conecte el cable **amarillo** con el cable de la batería.
- Conecte el cable **rojo** con el cable de accesorios.
- Conecte el cable **azul/blanco** al cable de encendido del amplificador.

## Para modelos con amplificador de fábrica:

- Conecte el conector RCA **gris** a la salida RCA frontal derecha.
- Conecte el conector RCA **blanco** a la salida RCA delantera izquierda.
- Conecte el conector RCA **verde** a la salida RCA trasera derecha.
- Conecte el conector RCA **púrpura** a la salida RCA trasera derecha.

## Para modelos sin amplificador de fábrica:

Para los siguientes (8) cables, corte el conector RCA para exponer los cables de los altavoces.

- Conecte el cable **blanco** con la salida positiva de la bocina frontal izquierda.
- Conecte el cable **blanco/negro** con la salida negativa de la bocina frontal izquierda.
- Conecte el cable **gris** con la salida positiva de la bocina frontal derecha.
- Conecte el cable **gris/negro** con la salida negativa de la bocina frontal derecha.
- Conecte el cable **verde** con la salida positiva de la bocina izquierda trasera.
- Conecte el cable **verde/negro** con la salida negativa de la bocina izquierda trasera.
- Conecte el cable **púrpura** con la salida positiva de la bocina derecha trasera.
- Conecte el cable **púrpura/negro** con la salida negativa de la bocina derecha trasera.

Los siguientes (3) cables son para radios con multimedios/navegación que incluyen estos cables.

- Conecte el cable **azul/rosa** al cable VSS o del sensor de velocidad.
- Conecte el cable **verde/púrpura** al cable de reversa.
- Conecte el cable **verde claro** al cable de freno de mano.

## Conexiones que se deben hacer

### Desde el conector negro de 14 pins al radio de mercado secundario:

- Conecte el cable **anaranjado** con el cable de iluminación. (Si el radio de mercado secundario no tiene cable de iluminación, cubra con cinta el cable **anaranjado**).

*Los siguientes cables son para radios de mercado secundario con multimedios/havegación que tienen estos cables (si no se requieren, encíntelos e ignórelos).*

- Conecte el cable **verde claro** al cable de freno de mano (si aplica).
- Conecte el cable **azul/rosa** al cable del sensor de velocidad (si aplica).
- Conecte el cable **verde/púrpura** al cable de reversa (si aplica).

## Si no está equipado con una cámara de reversa de fábrica y quiere instalar una:

### Desde el conector negro de 22 pins al radio de mercado secundario:

- Conecte el RCA **amarillo** a la cámara de reversa de mercado secundario (puede ser necesario un conector de barril de hembra con hembra dependiendo de la marca de la cámara, este no se incluye).

**Nota:** Si se conecta una cámara de reversa de mercado secundario, esta debe seleccionarse en el menú. (Botón de menú en SWC>Ajustes de la cámara>Fuente de cámara de reversa>Cámara de reversa de mercado secundario)

## Si está equipado con subwoofer de fábrica:

### Desde el conector Honda gris de 8 pins al radio de mercado secundario:

- Conecte el RCA **blanco** a la “salida de subwoofer” (puede ser necesario un adaptador de Y-RCA, que no se incluye).

## ASWC-1/AXSWC (si se va a instalar)

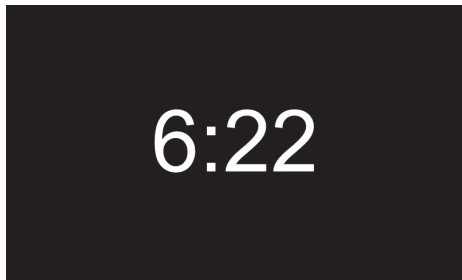
- Después de inicializar la interfase, conecte el ASWC-1/AXSWC en el arnés de 12 pins del 7804 y consulte las instrucciones de ASWC-1/AXSWC.

**Nota:** Hay un par de arneses en el vehículo que no tendrán conexiones; estos no se necesitan en la instalación.

- Conectores **verde y gris** con conectores cuadrados pequeños similares.
- Conectores gris de 20 pins, 18 pins y 5 pins.

# TOCAR LAS INSTRUCCIONES EN PANTALLA

## Pantalla del Reloj



Cuando la interfase se inicia por primera vez, la pantalla de fábrica pasará por una secuencia de inicio por unos momentos. No toque ningún control hasta que aparezca la pantalla del reloj.

Los controles de audio del volante se utilizarán para navegar por el menú. Esto anulará los controles de la radio mientras se utiliza. Presione el botón MENU en el volante para entrar en la pantalla del menú. Para navegar por el menú, continúe utilizando los controles del volante. Los controles son los siguientes.

**Volume up and down** = Recorrer las opciones del menú

**Source (SRC)** = Aceptar

**Seek left** = Volver o regresar

**Seek right** = No se usan

## Pantalla del Menú Principal



**Nota:** Si el kit no funciona correctamente, introduzca manualmente el tipo de vehículo. Seleccione "System Settings", "Display Type" y, a continuación, seleccione el tipo de vehículo adecuado.

**Nota:** Las siguientes características, TPMS y Economía de combustible, no se mostrarán en la pantalla de fábrica una vez que se haya extraído la radio de fábrica. La Economía de combustible se mostrará únicamente en el grupo de instrumentos. Para la calibración de TPMS, consulte el manual del propietario del vehículo para obtener detalles sobre la localización del botón TPMS y también el procedimiento de programación.

## Ajustes de la Cámara



Este menú le permite activar y desactivar la cámara LaneWatch, cambiar la vista de la cámara trasera y permitirle agregar una cámara de posventa si el coche no está equipado con una cámara de retrovisor de fábrica.

**Nota:** La cámara LaneWatch está activada por defecto. Si no hay una cámara LaneWatch OE, apague la opción "Disparo con la señal de giro a la derecha" que se encuentra en esta pantalla de ajuste.

## Calibración LaneWatch

**¡Atención!** Este procedimiento sólo debe ser realizado por un técnico autorizado de Honda.

**Nota:** El botón LaneWatch se encuentra en el lado izquierdo del volante, en el tallo.

Mantenga presionado el botón LaneWatch durante 50 segundos para comenzar el procedimiento de orientación LaneWatch (este procedimiento sólo debe ser realizado por un técnico autorizado de Honda). En este punto, la pantalla también mostrará una imagen de la alimentación de la cámara LaneWatch, con instrucciones sobre qué hacer - un técnico autorizado de Honda sabrá qué hacer desde aquí.

## Ajustes del Sistema



Esta opción de menú permite un cambio de fondo en el reloj, la capacidad de ajustar el reloj y seleccionar el intervalo del año para la interfase.





**99-7804**

INSTRUCCIONES DE INSTALACIÓN



**IMPORTANTE**

*Si tiene dificultades con la instalación de este producto, llame a nuestra línea de soporte técnico al 1-800-253-TECH. Antes de hacerlo, revise las instrucciones por segunda vez y asegúrese de que la instalación se haya realizado exactamente como se indica en las instrucciones. Por favor tenga el vehículo desarmado y listo para ejecutar los pasos de resolución de problemas antes de llamar.*



**EL CONOCIMIENTO ES PODER**

Mejore sus habilidades de instalación y fabricación inscribiéndose en la escuela de dispositivos electrónicos móviles más reconocida y respetada de nuestra industria. Regístrese en [www.installerinstitute.com](http://www.installerinstitute.com) o llame al 800-354-6782 para obtener más información y avance hacia un futuro mejor.



**Metra recomienda técnicos con certificación del Programa de Certificación en Electrónica Móvil (Mobile Electronics Certification Program, MECP).**