



Honda Pilot (with factory navigation) 2006-2008

KIT FEATURES

- ISO DIN radio provision with pocket
- ISO DDIN radio provision
- Radio replacement pocket assembly
- Textured to match the factory finish

KIT COMPONENTS

- A) Radio trim panel • B) Radio replacement pocket assembly • C) Pocket • D) Radio brackets • E) Climate control brackets
- F) (10) #8 x 3/8" Phillips screws

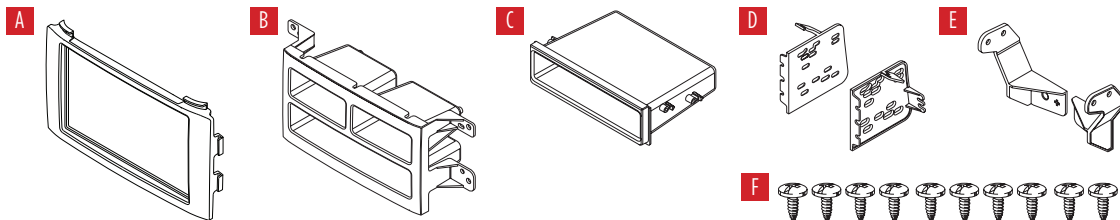


TABLE OF CONTENTS

Dash Disassembly	2-3
Kit Preparation	4
Kit Assembly	
–ISO DIN radio provision with pocket	4
–ISO DDIN radio provision.....	5

WIRING & ANTENNA CONNECTIONS (sold separately)

Wiring Harness: 70-1721
 Antenna Adapter: 40-HD10

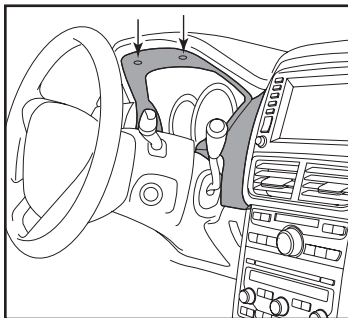
TOOLS REQUIRED

- Panel removal tool • Phillips screwdriver
- Socket wrench

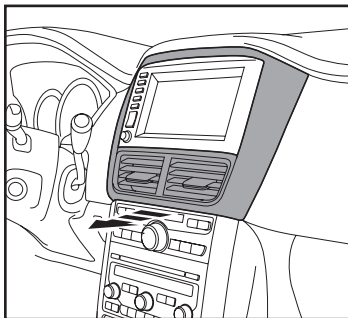
CAUTION! All accessories, switches, climate controls panels, and especially air bag indicator lights must be connected before cycling the ignition. Also, do not remove the factory radio with the key in the on position, or while the vehicle is running.

DASH DISASSEMBLY

1. Remove (2) Philips screws from under the instrument cluster and remove the trim. (Figure A)
2. Unclip and remove the trim panel between the instrument cluster and the NAV screen trim panel. (Figure A)
3. Unclip and remove the NAV screen trim panel. (Figure B)



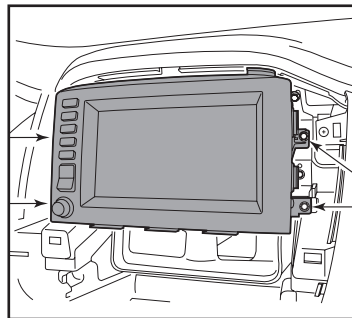
(Figure A)



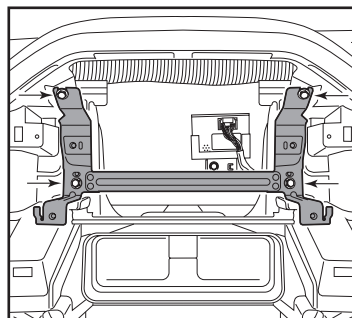
(Figure B)

4. Remove (4) screws and remove the NAV screen. (Figure C)
5. Remove (4) screws and remove the NAV screen bracket. (Figure D)

Continued on next page



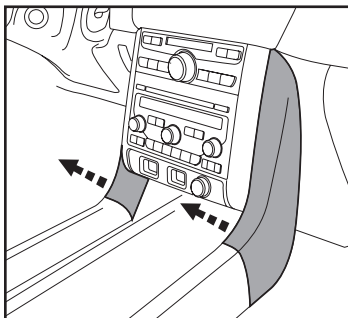
(Figure C)



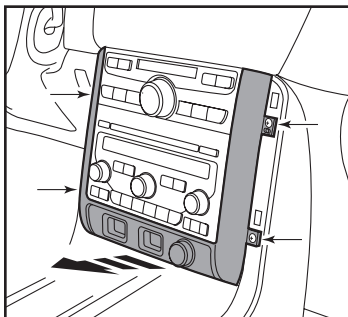
(Figure D)

DASH DISASSEMBLY

6. Remove the side trim panels from the sides of the radio. (Figure E)
7. Remove (4) screws and remove the trim from around the radio including the ashtray. (Figure F)



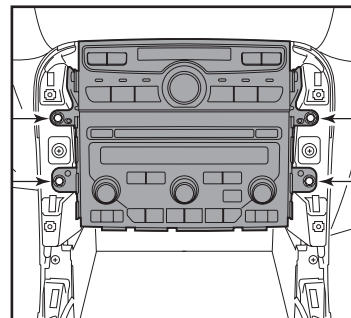
(Figure E)



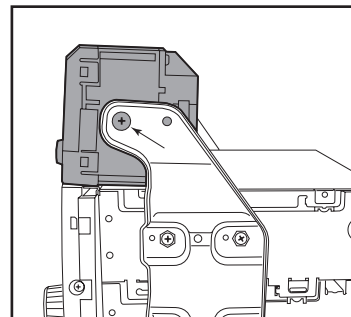
(Figure F)

8. Remove (4) screws and remove the radio climate assembly. (Figure G)
9. Remove (2) Philips screws to remove the climate control from the radio/ bracket assembly. (Figure H)

Continue to Kit Preparation



(Figure G)

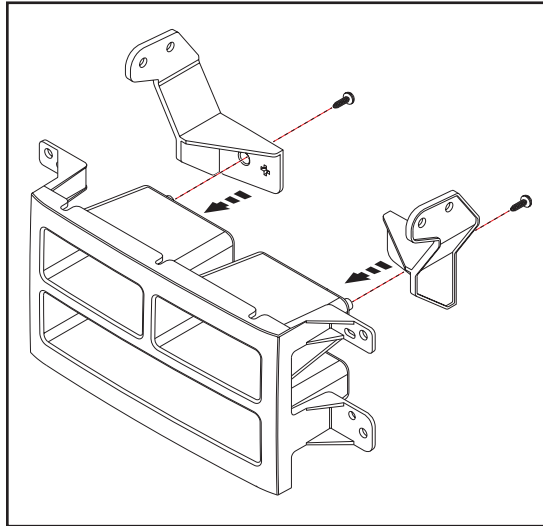


(Figure H)

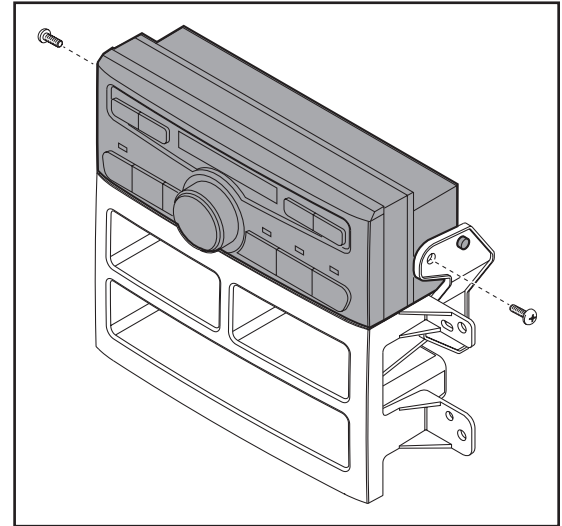
KIT PREPARATION

1. Attach the *climate control brackets* to the *radio replacement pocket assembly* with (2) of the included #8 x 3/8" screws. (Figure A)
2. Place the climate controls between the *climate control brackets* and secure with the factory hardware. (Figure B)
3. Re-connect the climate control and secure the new assembly into the dash with factory hardware.

Continue to Kit Assembly



(Figure A)

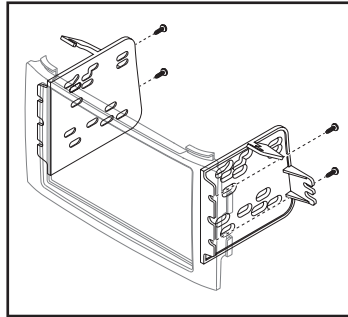


(Figure B)

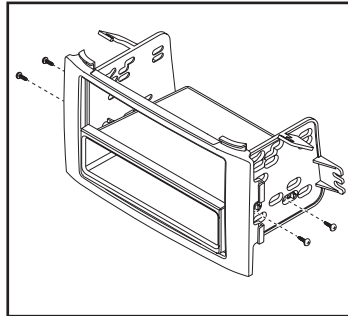
KIT ASSEMBLY

ISO DIN radio provision with pocket

1. Attach the *radio brackets* to the *radio trim panel* using (4) #8 x 3/8" Phillips screws supplied. (Figure A)
2. Attach the *pocket* to the bracket assembly using the (4) supplied #8 x 3/8" Phillips screws. (Figure B)
3. Remove the metal DIN sleeve and trim ring from the aftermarket radio.
4. Slide the radio into the completed assembly, and then secure it to the assembly using the screws supplied with the radio (Figure C).

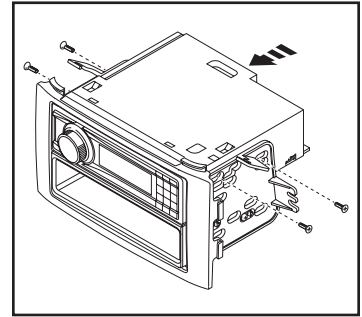


(Figure A)



(Figure B)

5. Locate the factory wiring harness and antenna connector in the dash, and complete all necessary connections to the radio. Metra recommends using the proper mating adapter from Metra and/or AXCESS. Test the radio for proper operation.
6. Reassemble the dash in reverse order of disassembly.

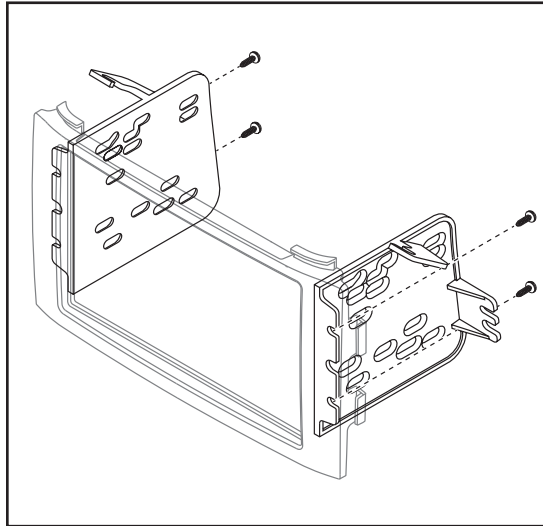


(Figure C)

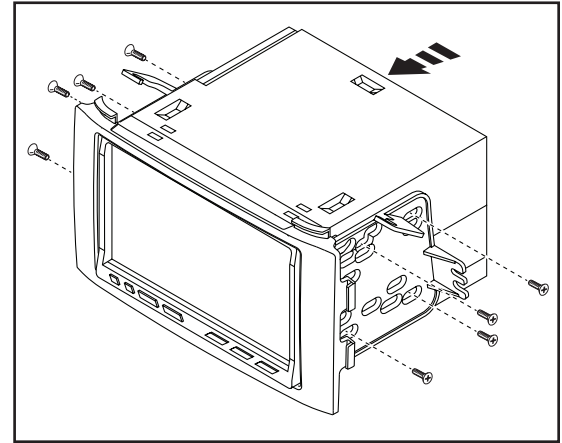
KIT ASSEMBLY

ISO DDIN radio provision

1. Attach the *radio brackets* to the *radio trim panel* using (4) #8 x 3/8" Phillips screws supplied. (Figure A)
2. Slide the radio into the completed assembly, and then secure it to the assembly using the screws supplied with the radio. (Figure B)
3. Locate the factory wiring harness and antenna connector in the dash, and complete all necessary connections to the radio. Metra recommends using the proper mating adapter from Metra and/or AXXESS. Test the radio for proper operation.
4. Reassemble the dash in reverse order of disassembly.



(Figure A)



(Figure B)





99-7819
INSTALLATION INSTRUCTIONS



IMPORTANT

If you are having difficulties with the installation of this product, please call our Tech Support line at 1-800-253-TECH. Before doing so, look over the instructions a second time, and make sure the installation was performed exactly as the instructions are stated. Please have the vehicle apart and ready to perform troubleshooting steps before calling.



KNOWLEDGE IS POWER

Enhance your installation and fabrication skills by enrolling in the most recognized and respected mobile electronics school in our industry. Log onto www.installerinstitute.com or call 800-354-6782 for more information and take steps toward a better tomorrow.



**Metra recommends MECP
certified technicians**